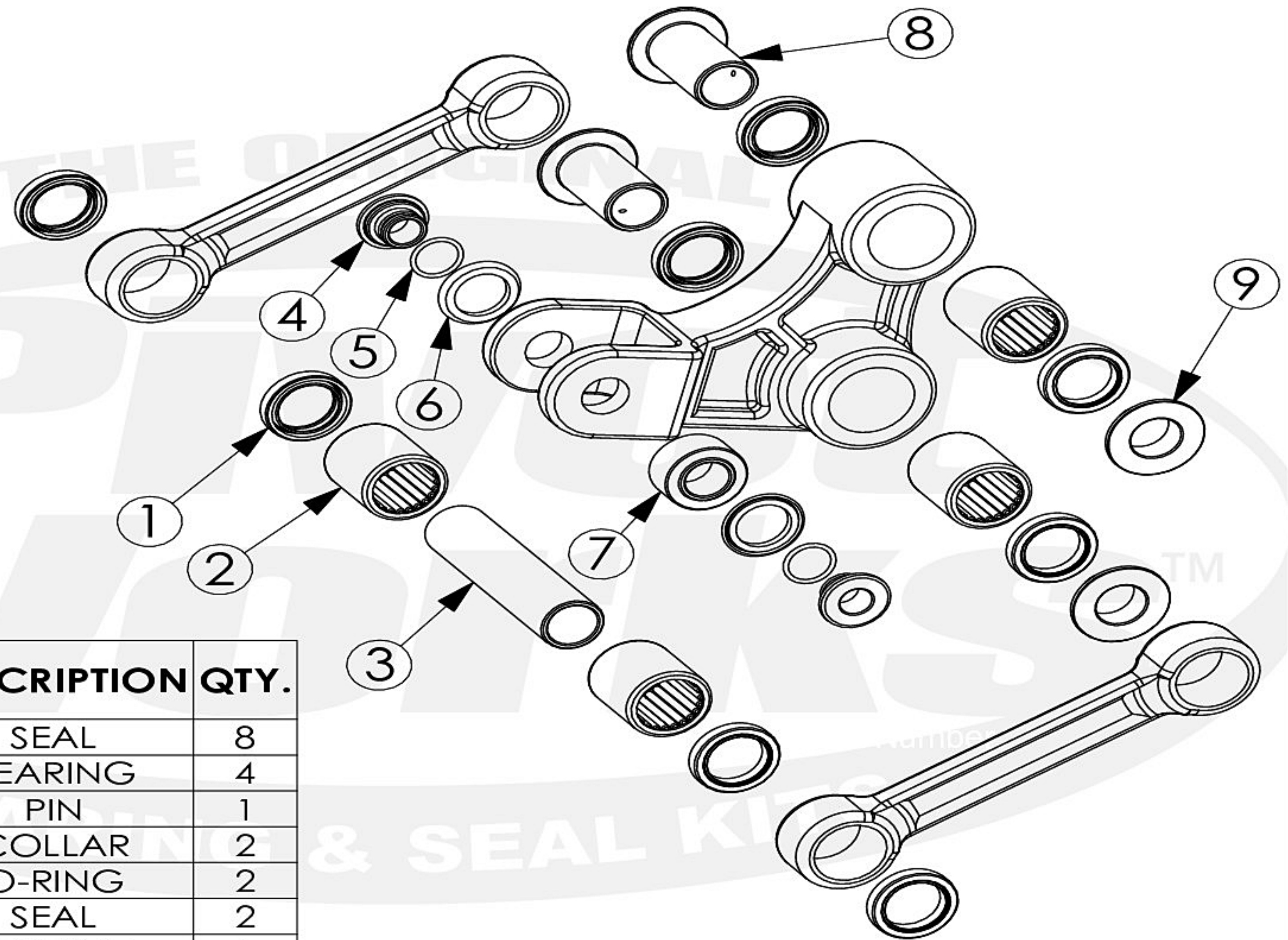


# PWLK-Y18-000



ITEM NO.	PART NUMBER	DESCRIPTION	QTY.
1	Y-SE-007	SEAL	8
2	Y-FCBE-001	BEARING	4
3	Y-PI-009	PIN	1
4	Y-FPI-005	COLLAR	2
5	Y-SE-010	O-RING	2
6	SHY-007	SEAL	2
7	ZSBE-004	BEARING	1
8	Y-FPI-004	FLANGED PIN	2
9	Y-FPI-003	COLLAR	2

