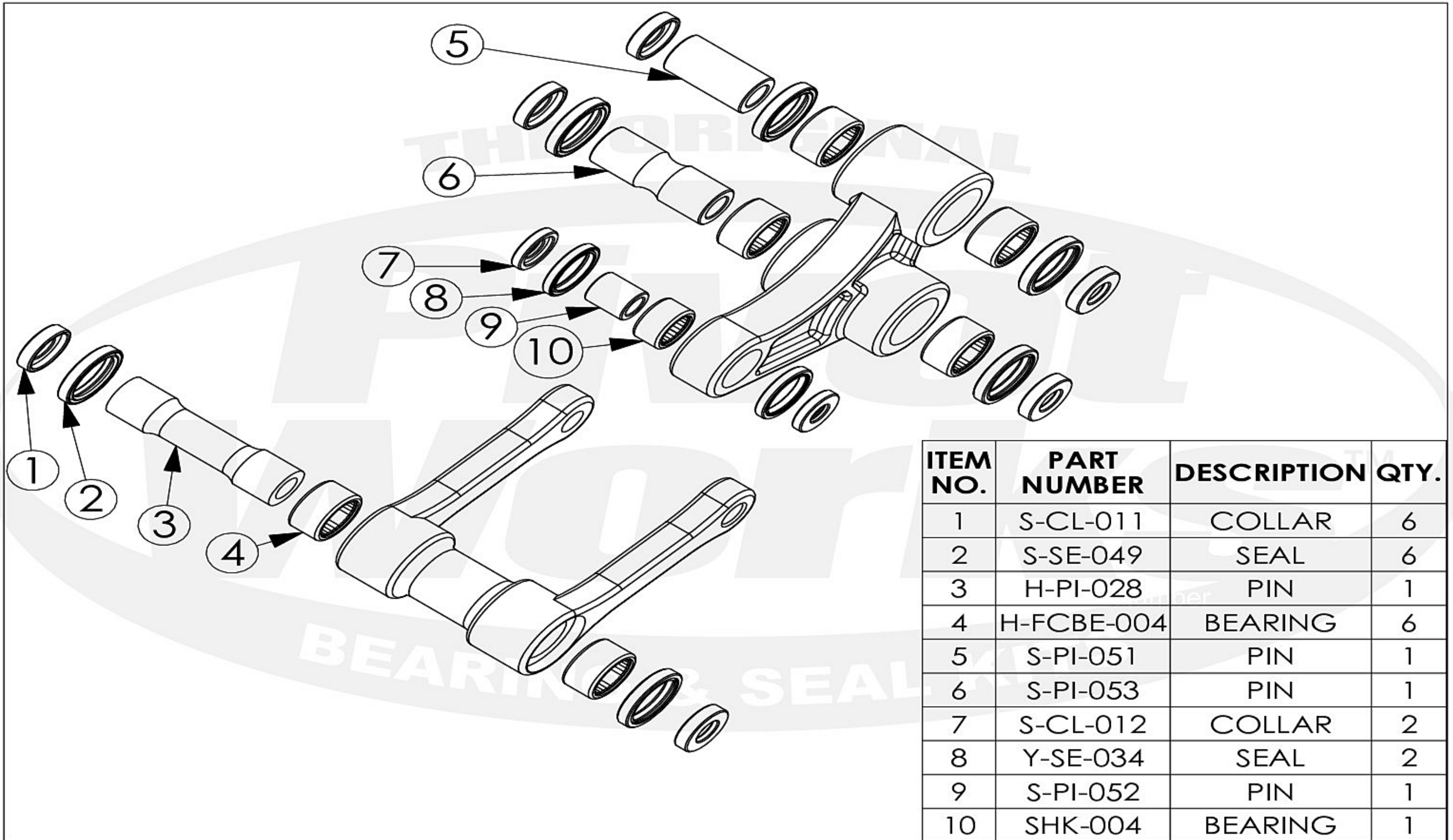


# PWLK-S49-000



ITEM NO.	PART NUMBER	DESCRIPTION	QTY.
1	S-CL-011	COLLAR	6
2	S-SE-049	SEAL	6
3	H-PI-028	PIN	1
4	H-FCBE-004	BEARING	6
5	S-PI-051	PIN	1
6	S-PI-053	PIN	1
7	S-CL-012	COLLAR	2
8	Y-SE-034	SEAL	2
9	S-PI-052	PIN	1
10	SHK-004	BEARING	1

