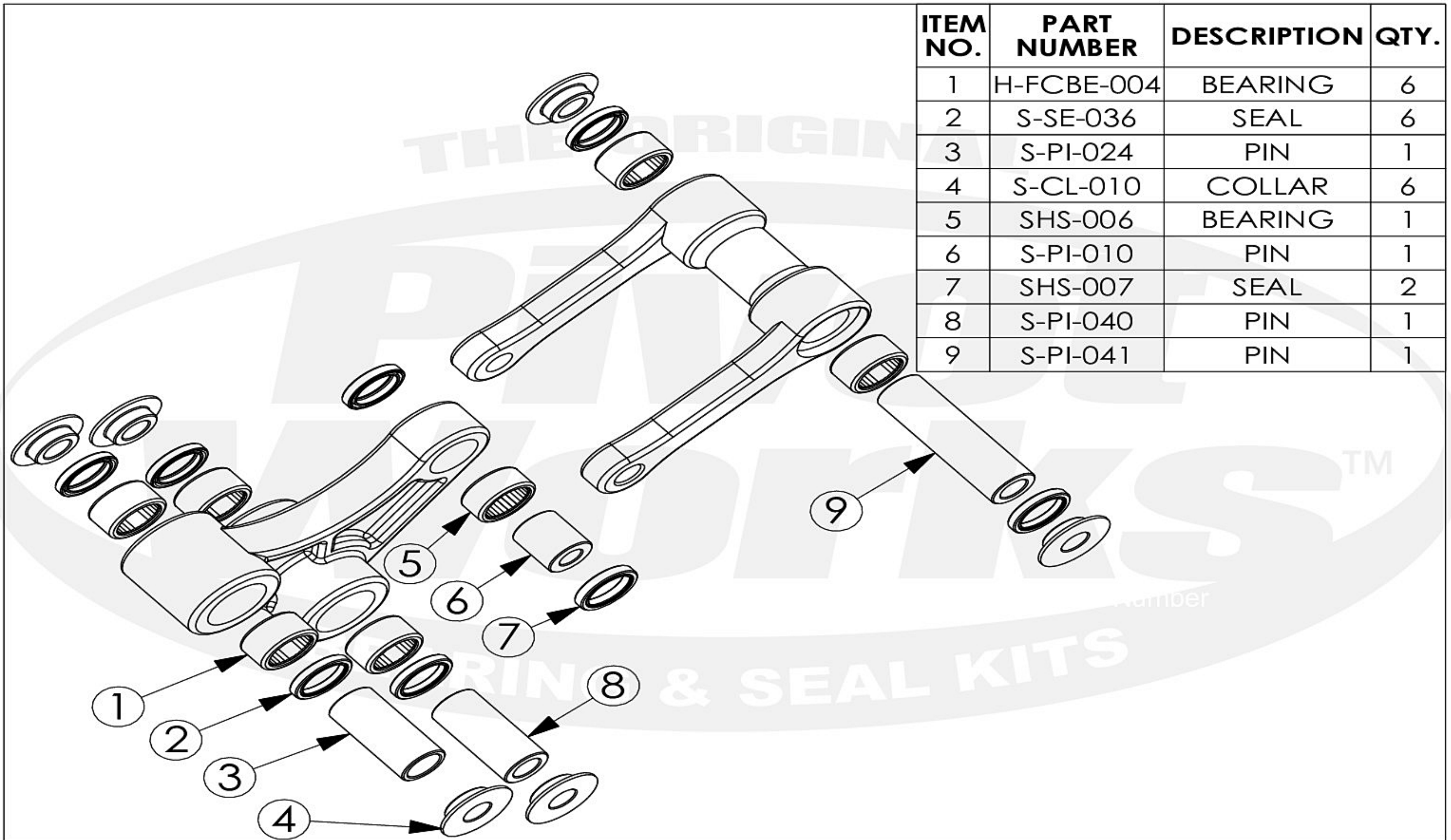


PWLK-S41-000



ITEM NO.	PART NUMBER	DESCRIPTION	QTY.
1	H-FCBE-004	BEARING	6
2	S-SE-036	SEAL	6
3	S-PI-024	PIN	1
4	S-CL-010	COLLAR	6
5	SHS-006	BEARING	1
6	S-PI-010	PIN	1
7	SHS-007	SEAL	2
8	S-PI-040	PIN	1
9	S-PI-041	PIN	1

