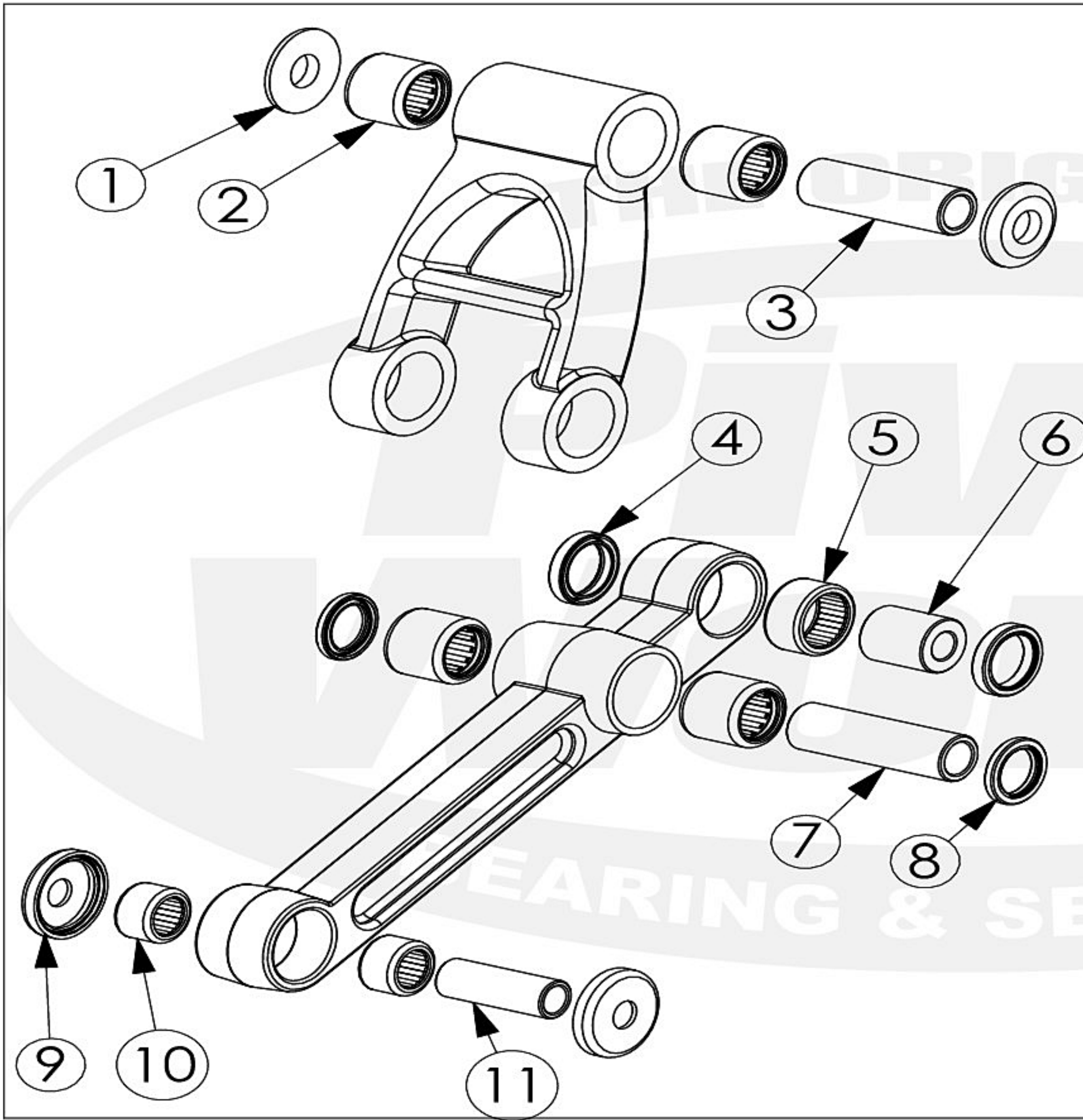


PWLK-S38-000



ITEM NO.	PART NUMBER	DESCRIPTION	QTY.
1	S-CL-009	COLLAR	2
2	S-BE-007	BEARING	4
3	S-PI-028	PIN	1
4	SHS-007	SEAL	2
5	SHS-006	BEARING	1
6	S-PI-010	PIN	1
7	S-PI-029	PIN	1
8	SHS-008	SEAL	2
9	S-CA-011	CAP	2
10	S-FCBE-009	BEARING	2
11	S-PI-027	PIN	1

