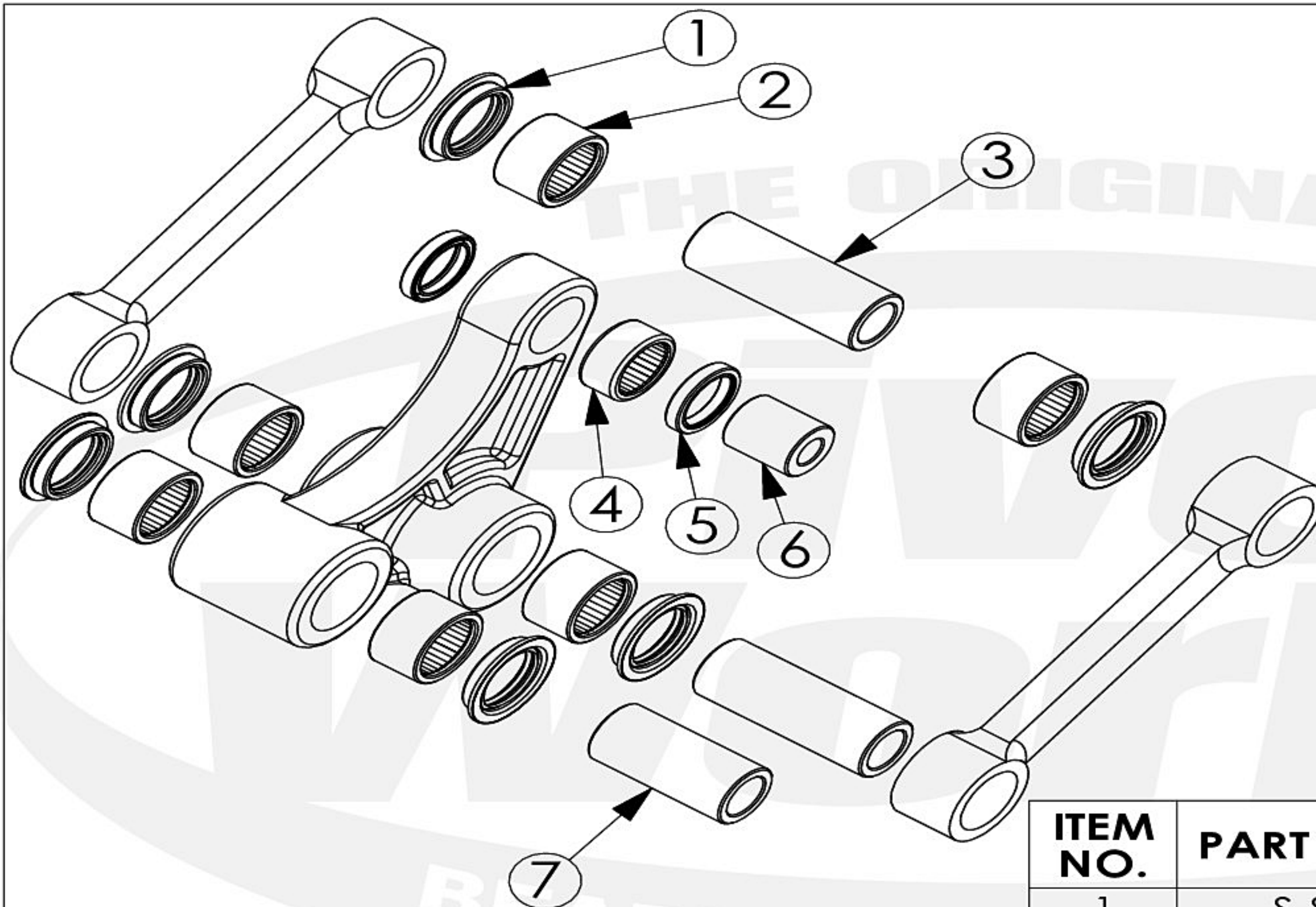


PWLK-S30-000



ITEM NO.	PART NUMBER	DESCRIPTION	QTY.
1	S-SE-010	SEAL	6
2	ZFCBE-001-HKS	BEARING	6
3	S-PI-009	PIN	2
4	SHS-006	BEARING	1
5	SHS-007	SEAL	2
6	S-PI-010	PIN	1
7	ZPI-001-HKS	PIN	1

