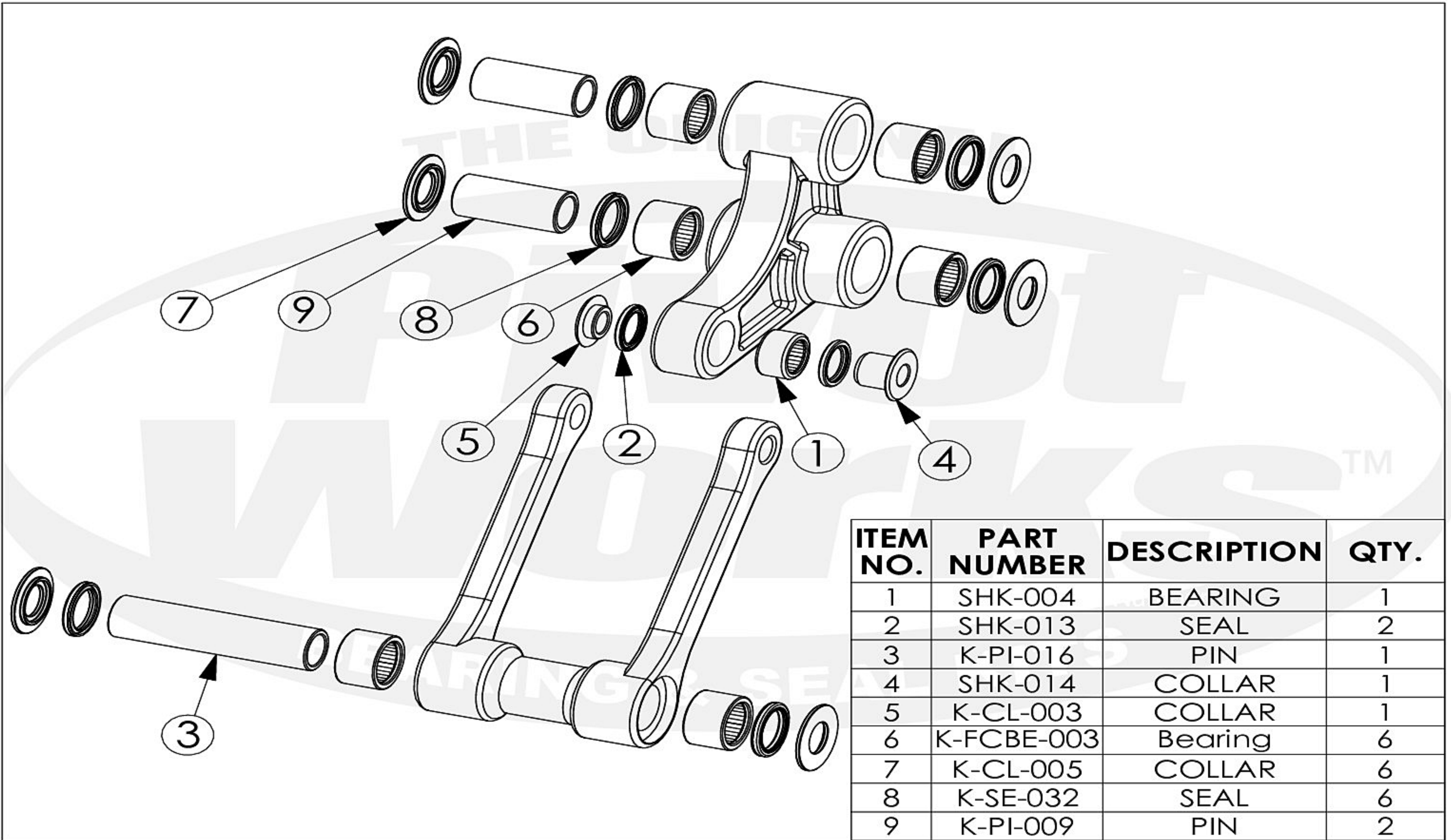


PWLK-K28-000



ITEM NO.	PART NUMBER	DESCRIPTION	QTY.
1	SHK-004	BEARING	1
2	SHK-013	SEAL	2
3	K-PI-016	PIN	1
4	SHK-014	COLLAR	1
5	K-CL-003	COLLAR	1
6	K-FCBE-003	Bearing	6
7	K-CL-005	COLLAR	6
8	K-SE-032	SEAL	6
9	K-PI-009	PIN	2

