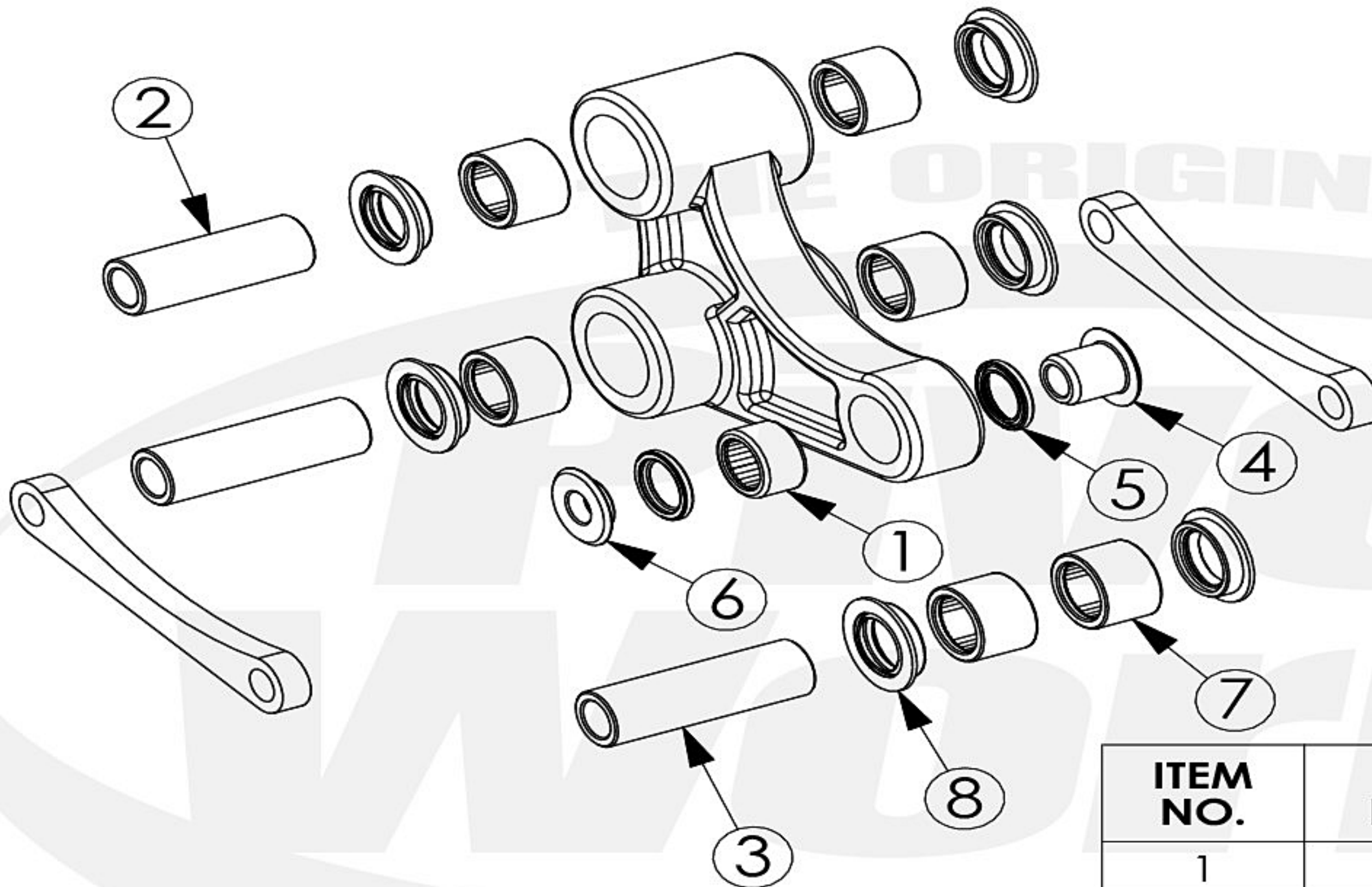


PWLK-K24-000



ITEM NO.	PART NUMBER	DESCRIPTION	QTY.
1	SHK-004	BEARING	1
2	K-PI-013	PIN	1
3	K-PI-012	PIN	2
4	SHK-014	COLLAR	1
5	SHK-013	SEAL	2
6	K-CL-003	COLLAR	1
7	K-FCBE-004	Bearing	6
8	K-SE-034	SEAL	6

