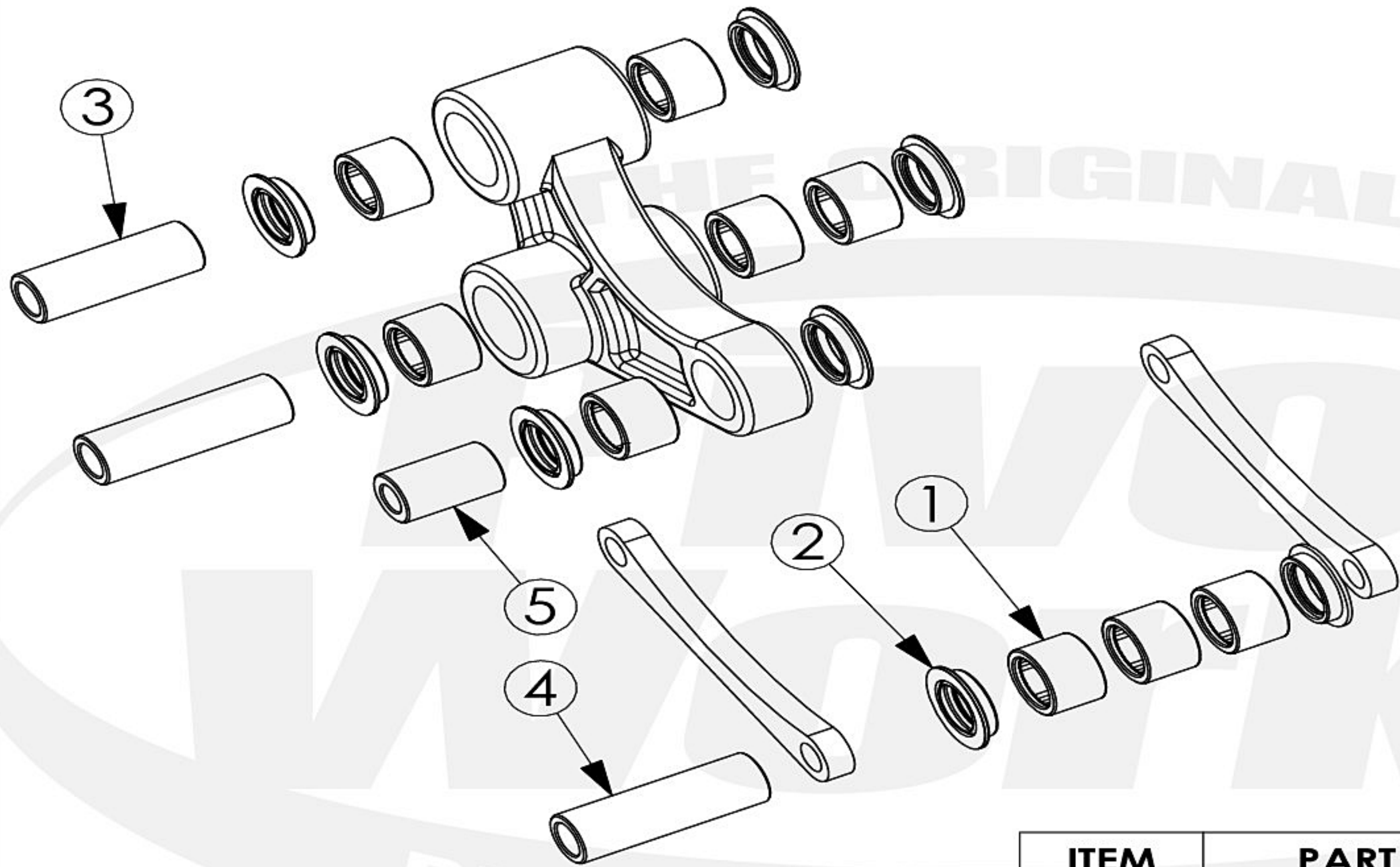


PWLK-K22-000



ITEM NO.	PART NUMBER	DESCRIPTION	QTY.
1	K-FCBE-004	Bearing	9
2	K-SE-034	SEAL	8
3	K-PI-013	PIN	1
4	K-PI-012	PIN	2
5	K-PI-025	PIN	1

