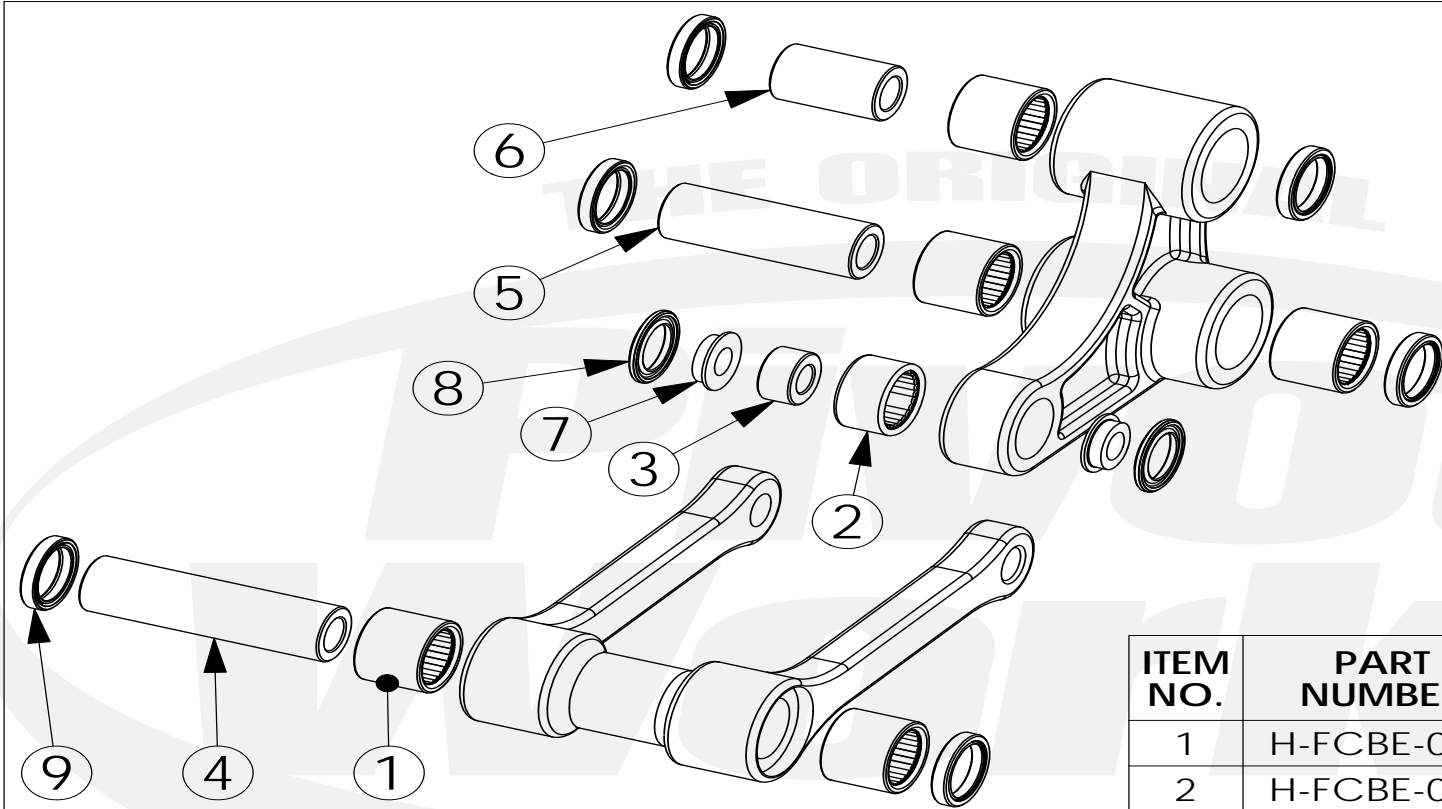


# PWLK-H57-000



ITEM NO.	PART NUMBER	DESCRIPTION	QTY.
1	H-FCBE-002	BEARING	5
2	H-FCBE-001	EARING	1
3	H-CL-008	PIN	1
4	H-PI-045	PIN	1
5	H-PI-043	PIN	1
6	H-PI-054	PIN	1
7	H-CL-009	COLLAR	2
8	SHH-018	SEAL	2
9	H-SE-006	SEAL	6

