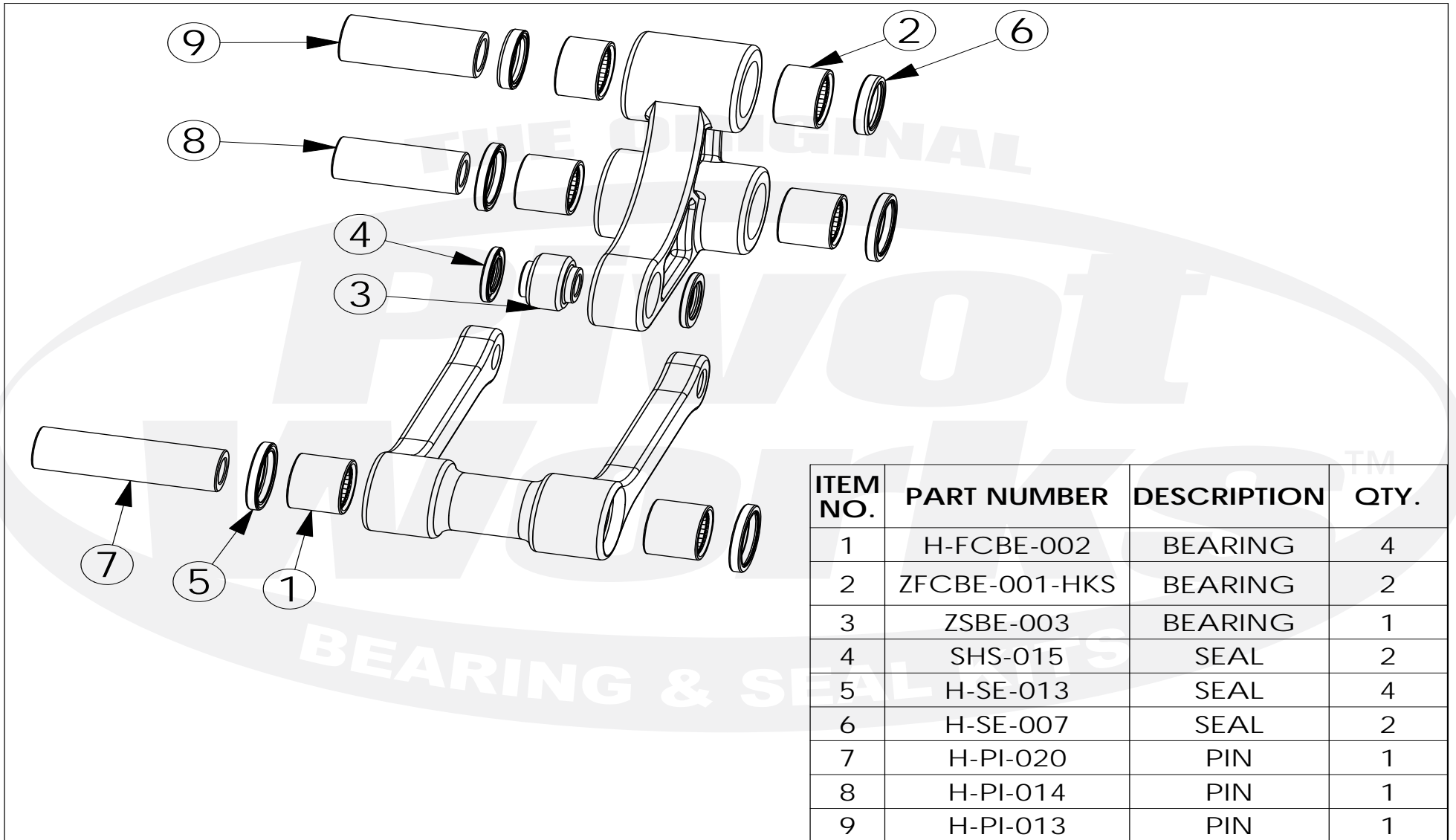


PWLK-H50-000



ITEM NO.	PART NUMBER	DESCRIPTION	QTY.
1	H-FCBE-002	BEARING	4
2	ZFCBE-001-HKS	BEARING	2
3	ZSBE-003	BEARING	1
4	SHS-015	SEAL	2
5	H-SE-013	SEAL	4
6	H-SE-007	SEAL	2
7	H-PI-020	PIN	1
8	H-PI-014	PIN	1
9	H-PI-013	PIN	1

