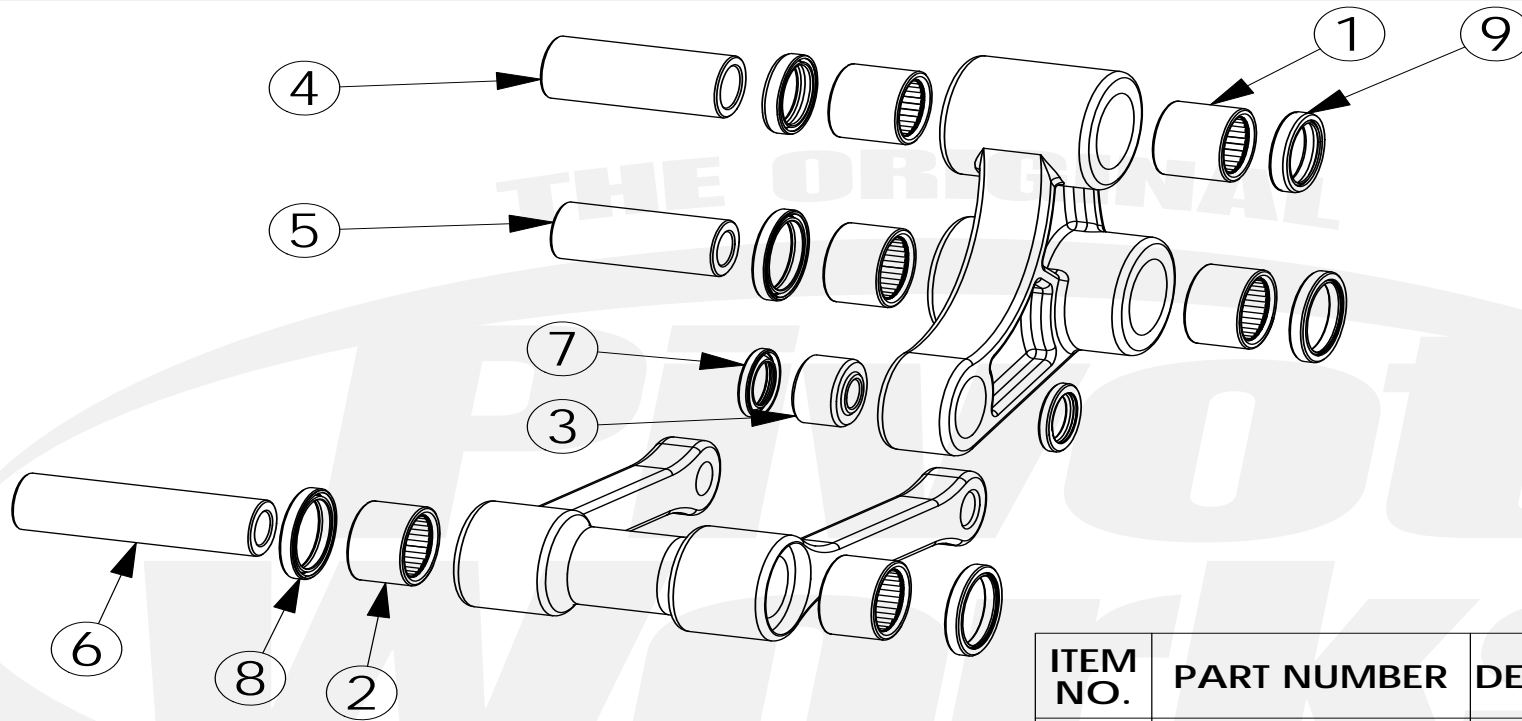


PWLK-H48-000



ITEM NO.	PART NUMBER	DESCRIPTION	QTY.
1	H-FCBE-002	BEARING	2
2	ZFCBE-001-HKS	BEARING	4
3	ZSBE-005	BEARING	1
4	H-PI-013	PIN	1
5	H-PI-014	PIN	1
6	H-PI-020	PIN	1
7	SHS-014	SEAL	2
8	H-SE-013	SEAL	4
9	H-SE-007	SEAL	2

