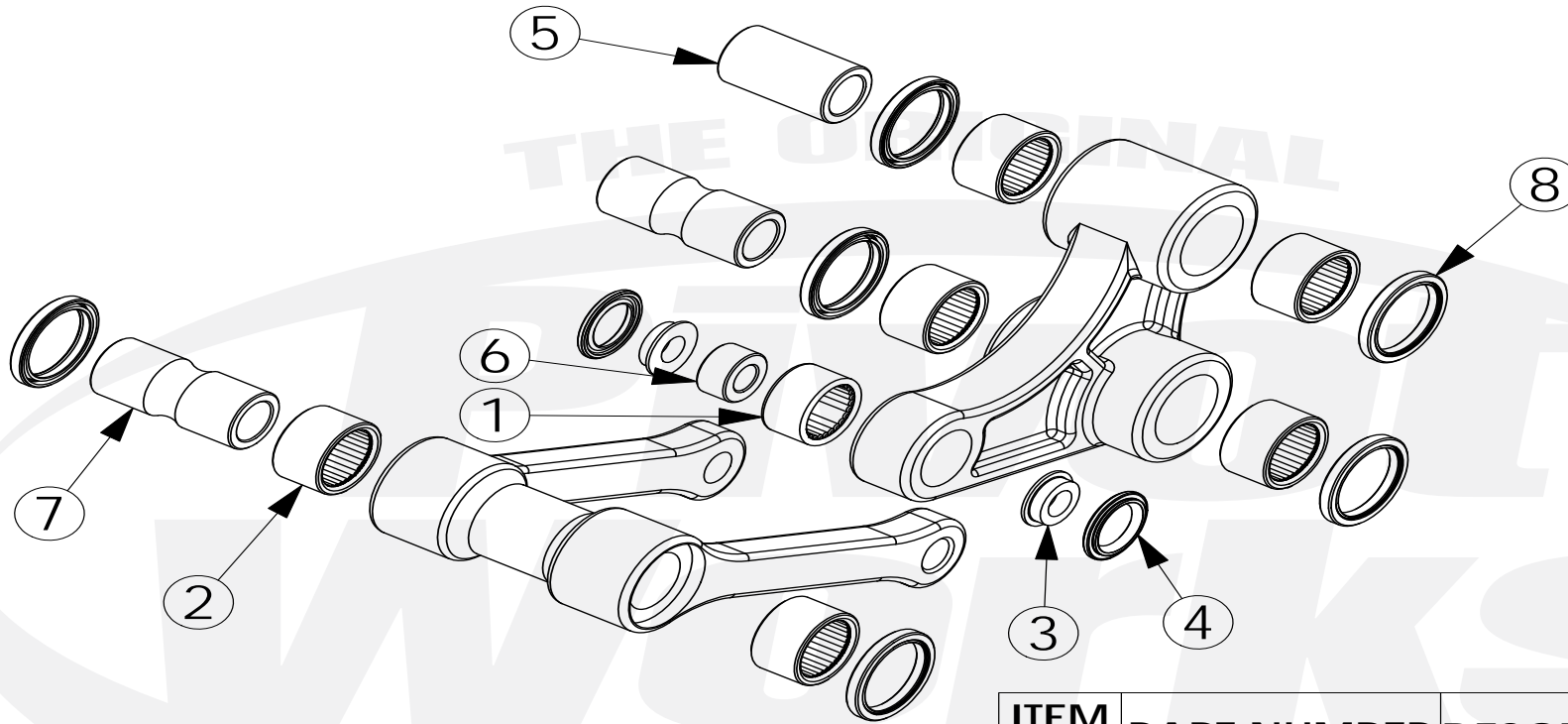


# PWLK-H47-000



ITEM NO.	PART NUMBER	DESCRIPTION	QTY.
1	H-FCBE-001	BEARING	1
2	ZFCBE-001-HKS	BEARING	6
3	H-CL-009	COLLAR	2
4	SHH-018	SEAL	2
5	H-PI-010	PIN	1
6	H-PI-012	PIN	1
7	H-PI-016	PIN	2
8	H-SE-011	SEAL	6

