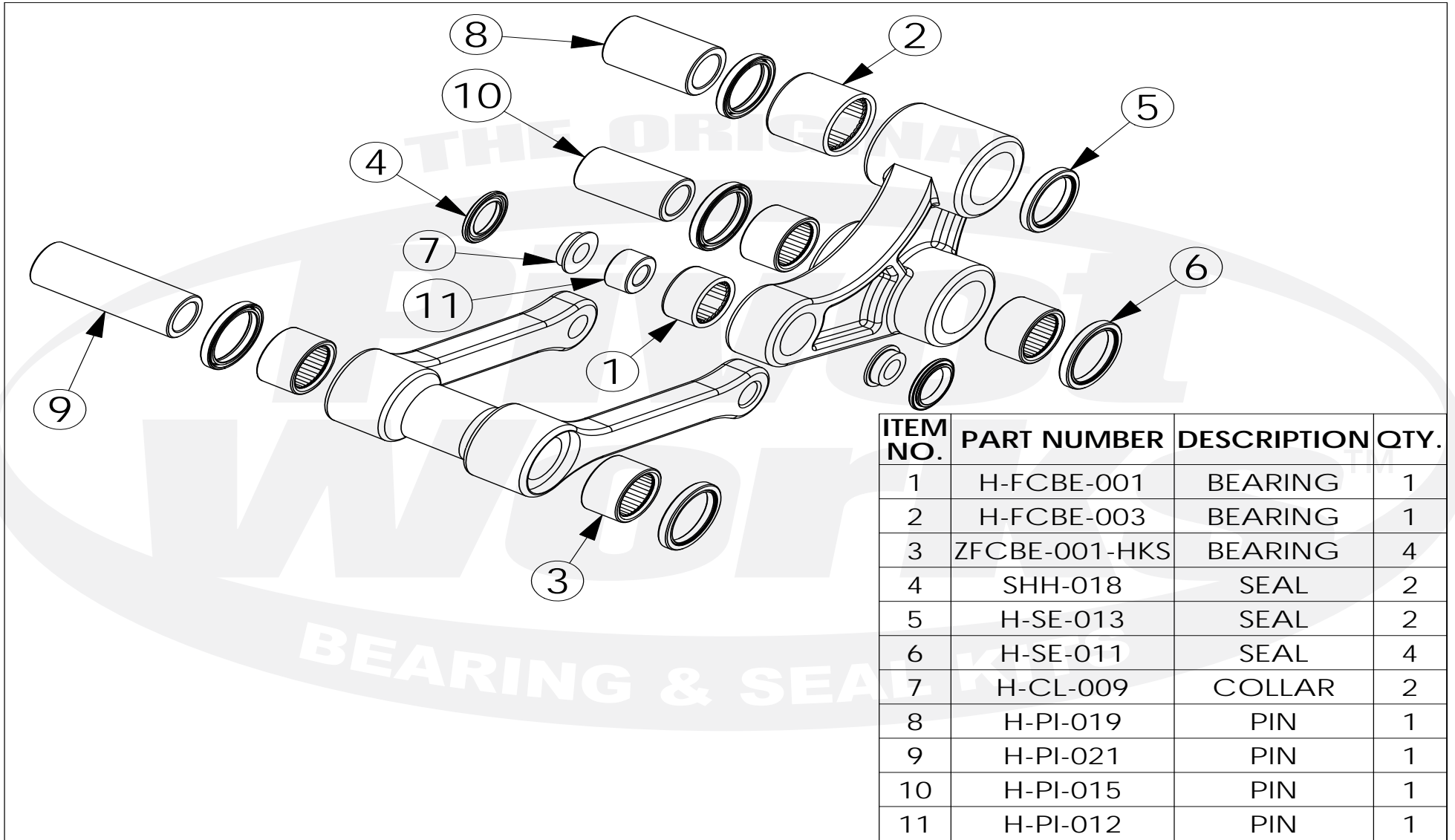


# PWLK-H45-000



ITEM NO.	PART NUMBER	DESCRIPTION	QTY.
1	H-FCBE-001	BEARING	1
2	H-FCBE-003	BEARING	1
3	ZFCBE-001-HKS	BEARING	4
4	SHH-018	SEAL	2
5	H-SE-013	SEAL	2
6	H-SE-011	SEAL	4
7	H-CL-009	COLLAR	2
8	H-PI-019	PIN	1
9	H-PI-021	PIN	1
10	H-PI-015	PIN	1
11	H-PI-012	PIN	1

