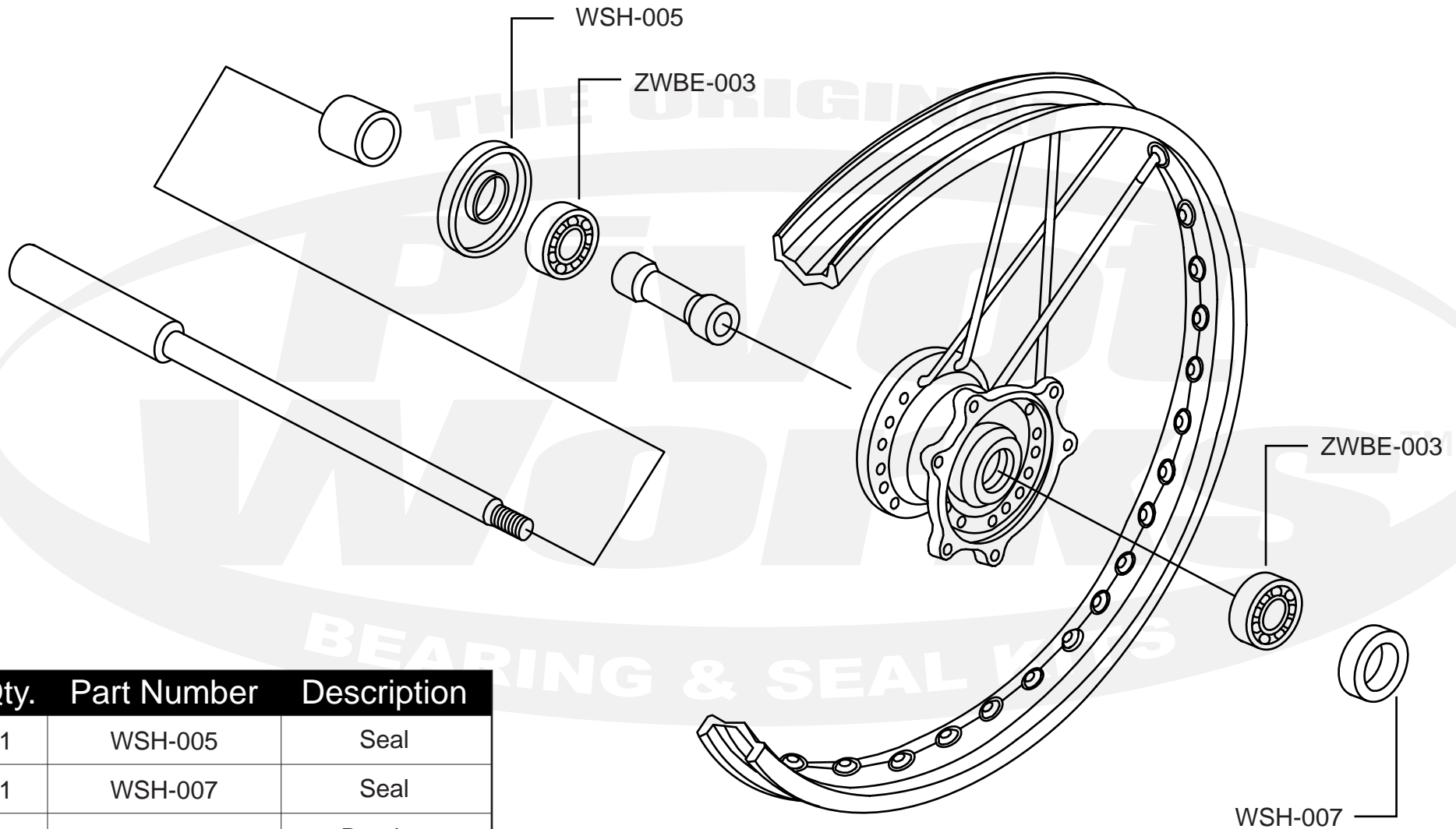


# PFWWK-H02-521



Qty.	Part Number	Description
1	WSH-005	Seal
1	WSH-007	Seal
2	ZWBE-003	Bearing

