

12 FOOT

JUMPER CABLES

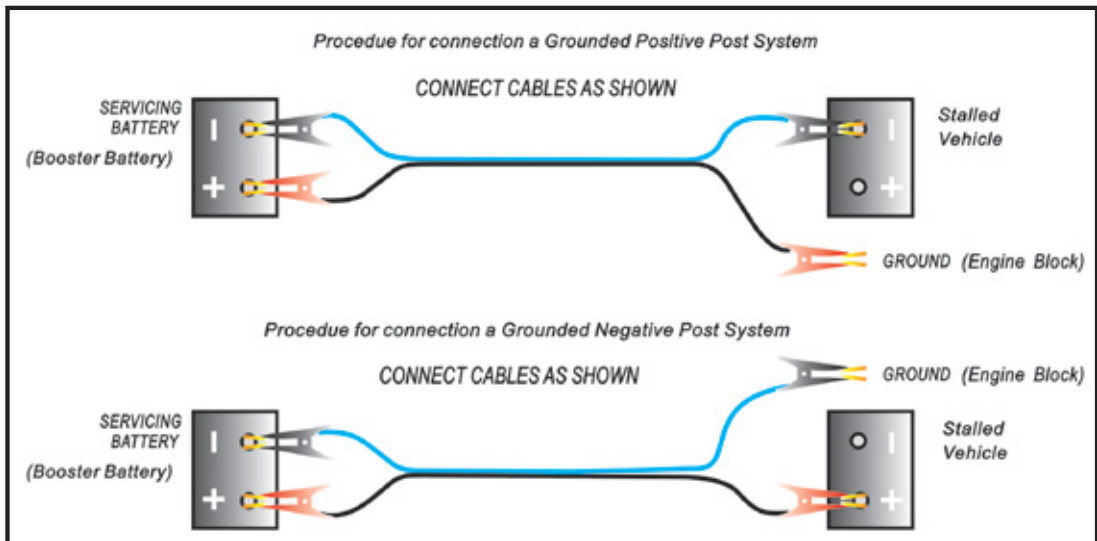
250 AMP

INSTRUCTIONS FOR JUMP STARTING AN ENGINE

WARNING: BATTERIES PRODUCE EXPLOSIVE GASES

Noted - Consult automobiles owner's manual and follow all instructions.

1. SHIELD EYES AND FACE FROM BATTERIES AT ALL TIMES. BE SURE VENT CAPS ARE TIGHT AND LEVEL. PLACE A DAMP CLOTH OVER ANY VENT CAPS ON BOTH BATTERIES. HANDLE CLOTH CAREFULLY - DO NOT ALLOW CLOTH TO COME IN CONTACT WITH EYES, SKIN, OR CLOTHING. BE SURE VEHICLES DO NOT TOUCH AND BOTH ELECTRICAL SYSTEMS ARE OF THE SAME VOLTAGE.
2. Be careful to avoid moving fan blades.
3. Check polarity of battery posts. POSITIVE (POS, P, +) battery post usually has a larger diameter than NEGATIVE (NEG, N, -) battery post.
4. Determine which post of battery is grounded (connected) to the chassis. If negative post is grounded, connect clamps in order shown in diagram and as described for connecting clamps with a negative post. If positive post is grounded, connect clamps in order shown in diagram and as described for connecting clamps with a grounded positive post.
5. PROCEDURE FOR CONNECTING A GROUNDED NEGATIVE POST.
Connect the positive (+) cable to (+) terminal of the discharging battery wired to starter or solenoid. Connect other end of positive cable to positive terminal of booster battery. Connect second cable (negative) to the other terminal (negative) of the booster battery. MAKE THE FINAL CONNECTION ON THE ENGINE BLOCK OF STALLED VEHICLE (NOT TO NEGATIVE POST) AWAY FROM BATTERY AND STAND BACK.
6. PROCEDURE FOR CONNECTING A POSITIVE GROUNDED POST.
Connect negative (-) cable to negative (-) terminal of discharging battery wired to starter or solenoid. Connect the other end of negative cable to negative terminal of booster battery. Connect second cable (positive) to the other terminal (positive) of booster battery. MAKE FINAL CONNECTION ON THE ENGINE BLOCK OF STALLED VEHICLE (NOT TO POSITIVE POST) AWAY FROM BATTERY, AND STAND BACK.
7. Start vehicle and remove cables in reverse order of connection by disconnecting the engine black connection first.



WARNING: This product and its packaging contain a chemical known to the State of California to cause cancer, birth defects, or other reproductive harm.

Due to continuing improvements, actual product may differ slightly from photo shown.



**Performance
Tool®**

Check out the collection of automotive tools we offer.