

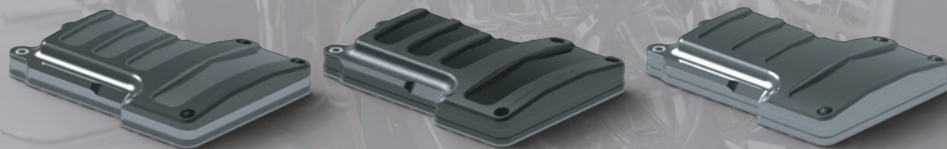


## TRANSMISSION COVERS

### SCALLOP 5SPD



### SCALLOP 6SPD



### PERFORMANCE MACHINE LIMITED WARRANTY INFORMATION

Performance Machine warrants to the original purchaser that the parts of this transmission cover to be free of manufacturing defects in materials and workmanship for a period of one (1) year from the date of purchase. In the event warranty service is required, you must call Performance Machine immediately with a description of the problem.

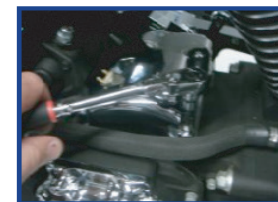
If it is deemed necessary for Performance Machine to make an evaluation to determine whether the part is defective, a return authorization number will be given by Performance Machine. The parts must be packaged properly so as to not cause further damage and returned prepaid to Performance Machine with a copy of the original invoice of purchase and a detailed letter outlining the nature of the problem. If after the evaluation by Performance Machine the part was found to be defective it will be repaired or replaced at no cost to you. If we replace it, we may replace it with a reconditioned one of the same design.

Performance Machine shall not be held liable for any consequential or incidental damages resulting from the failure of a Performance Machine part.

Performance Machine shall have no obligation if a part becomes defective as a result of improper installation or abuse.

## PM TRANSMISSION COVER INSTALLATION.

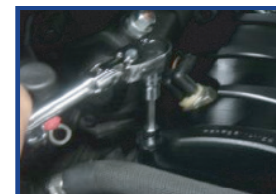
1. Turn off motorcycle, disconnect the battery, and place securely on a lift or sidestand.
2. **5spd models:** Some Softtail models require removal of the oil tank and frame backbone to allow installation as well as the removal of the front starter bolt. Consult the HD service manual for specific instructions. Once accessible disconnect the neutral switch and remove the factory transmission cover.  
**6spd models:** Simply remove the factory cover.



3. Once the existing transmission cover is removed, clean all gasket/mounting surfaces and wipe out all excess oil.
4. **5spd models:** Remove the transmission vent fitting/tube and the transmission neutral switch. These components will be reused.  
**6spd models:** Remove the transmission vent fitting/tube. This will be reused.



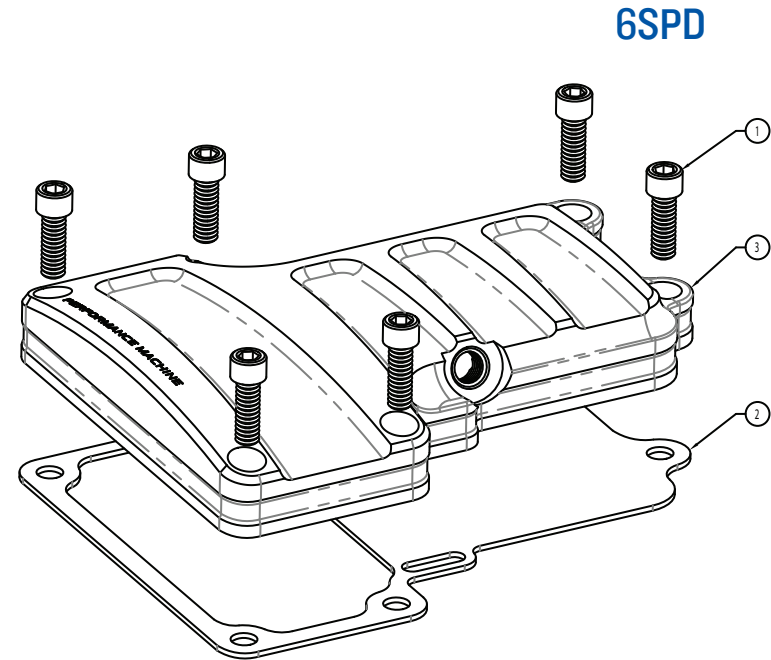
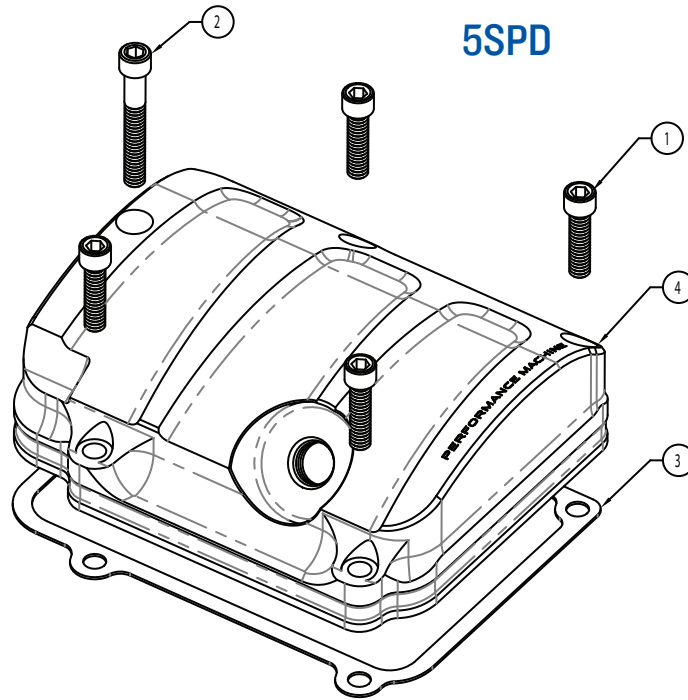
5. Install the transmission vent fitting/tube into the PM transmission cover using teflon tape or liquid thread sealant. Clock the vent fitting to match the factory position.  
**Note:** 2007 6spd models use a threaded vent fitting and 08-up 6spd models use a push-in rubber vent tube.
6. **5spd models only:** Install the neutral switch into the PM transmission cover.
7. Install the PM transmission cover onto the transmission using the supplied gasket. Install bolts and torque to 105 in-lbs.



8. Reinstall any components that were removed for access and go for a ride.



## PM TRANSMISSION COVER INSTALLATION



ITEM NO.	DESCRIPTION	QTY.
1	SHCS 1/4-20 X 1 CHROME	4
2	SHCS 1/4-20 X 1-3/4, CHROME	1
3	GASKET, RSD 5 SPEED TRANS COVER, 00-06 FXST/FLST, 01-06 FLHT/FLHR/FLTR	1
4	PM SCALLOP 5 SPEED TRANS COVER, 00-06 FXST/FLST, 01-06 FLHT/FLHR/FLTR	1

ITEM NO.	DESCRIPTION	QTY.
1	SHCS 1/4-20 X 3/4 CHROME	6
2	GASKET 6 SPEED TRANS COVER, 07-09 ST, 07/09 FL, 06-09 DYNA	1
3	PM SCALLOP 6 SPEED TRANS COVER, 07-09 ST, 07/09 FL, 06-09 DYNA	1