



CABLE CLUTCH ACTUATOR

FLUTED 5SPD**SMOOTH 5SPD****SCALLOP 5SPD****FLUTED 6SPD****SCALLOP 6SPD**

PERFORMANCE MACHINE LIMITED WARRANTY INFORMATION

Performance Machine warrants to the original purchaser that the parts of this clutch actuator to be free of manufacturing defects in materials and workmanship for a period of one (1) year from the date of purchase. In the event warranty service is required, you must call Performance Machine immediately with a description of the problem.

If it is deemed necessary for Performance Machine to make an evaluation to determine whether the part is defective, a return authorization number will be given by Performance Machine. The parts must be packaged properly so as to not cause further damage and returned prepaid to Performance Machine with a copy of the original invoice of purchase and a detailed letter outlining the nature of the problem. If after the evaluation by Performance Machine the part was found to be defective it will be repaired or replaced at no cost to you. If we replace it, we may replace it with a reconditioned one of the same design.

Performance Machine shall not be held liable for any consequential or incidental damages resulting from the failure of a Performance Machine part.

Performance Machine shall have no obligation if a part becomes defective as a result of improper installation or abuse.

PM CABLE CLUTCH ACTUATOR INSTALLATION.

Note: Use blue Loctite on all fasteners during assembly.

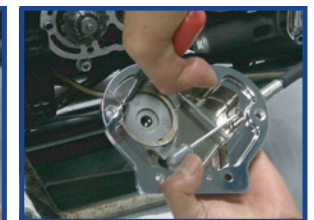
1. Turn off motorcycle, disconnect the battery, and place securely on a lift or sidestand.
2. On most models removal of the exhaust will be necessary to allow installation. Consult the HD service manual for specific instructions. Place an oil pan underneath the cable clutch actuator area and remove the existing cover.
3. Once the existing clutch actuator cover is removed, clean all gasket/mounting surfaces and wipe out all excess oil.
4. With the actuator cover removed, use a circlip pliers to remove the factory retaining ring, inner ramp and cable coupler, 3 ball bearings, and the outer ramp plate. These components will be reused.



5. Remove the threaded cable from the clutch actuator cover using a 9/16" wrench.
6. Now you are ready to install the PM cable clutch actuator. Start by installing the threaded clutch cable into the cover using the 9/16" wrench. Make sure the o-ring is not damaged prior to installation.



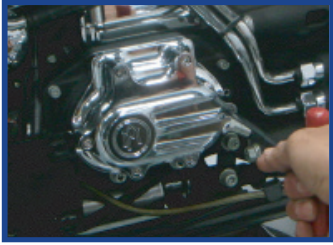
7. Install factory outer ramp plate, 3 ball bearings (hint:use a dab of grease to hold them in), inner ramp and cable coupler, and circlip as shown below.





PM CABLE CLUTCH ACTUATOR INSTALLATION

8. Install the PM cable clutch actuator onto the transmission using the supplied gasket and hardware. Torque the six 1/4"-20 socket head cap screws to 100 in-lbs. Verify clutch adjustment and adjust if necessary per factory specifications. Re-install any exhaust components if necessary.



9. **5SPD MODELS ONLY:** With the bike on the side stand remove the dipstick on the clutch housing and fill with transmission fluid until fluid level is in between the 2 grooves on the PM cable clutch actuator dip-stick.

DISCLAIMER: The fluid level grooves are for reference only and the technician should consult the factory service manual for specific fluid specifications and capacity.

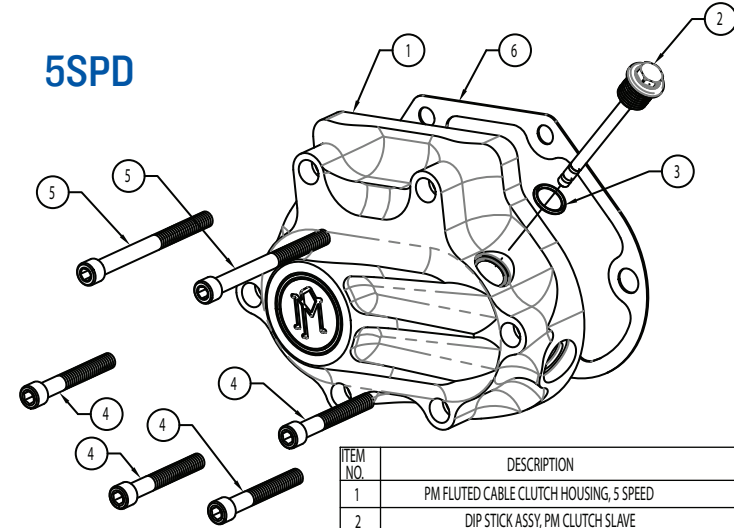


10. **6SPD MODELS ONLY:** With the bike on the side stand remove the dipstick in the transmission case and fill with transmission fluid until fluid level is at the "full" mark. Consult the factory service manual for specific fluid specifications and capacity.



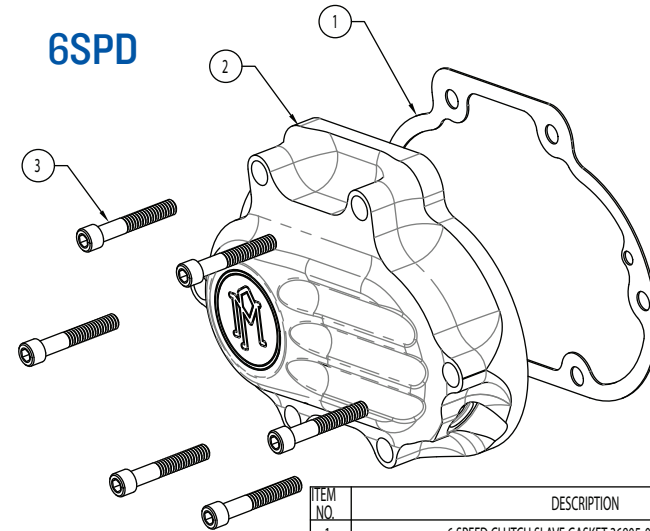
11. Hit the road!

5SPD



ITEM NO.	DESCRIPTION	QTY.
1	PM FLUTED CABLE CLUTCH HOUSING, 5 SPEED	1
2	DIP STICK ASSY, PM CLUTCH SLAVE	1
3	O-RING 9/16 X 7/16 X 1/16 VITON	1
4	SHCS 1/4-20 X 1-3/4, CHROME	4
5	SHCS 1/4-20 X 2-3/4, CHROME	2
6	GASKET, SLAVE CLUTCH HOUSING	1

6SPD



ITEM NO.	DESCRIPTION	QTY.
1	6 SPEED CLUTCH SLAVE GASKET 36805-06	1
2	PM FLUTED CLUTCH SLAVE HOUSING, CABLE, 6 SPEED, FLHX 2007	1
3	SHCS 1/4-20 X 1-1/2 CHROME	6