

ORACLE LIGHTING

7" Multifunction LED Spotlight PART# 2915-023



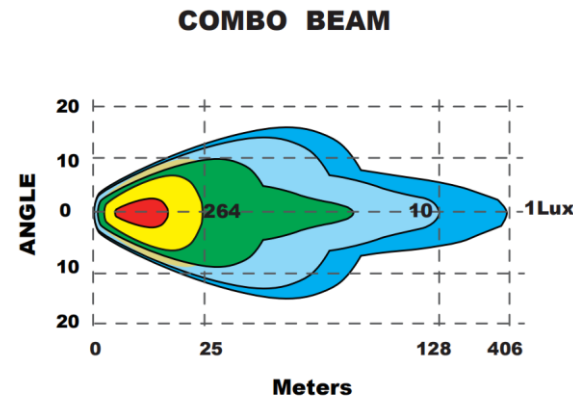
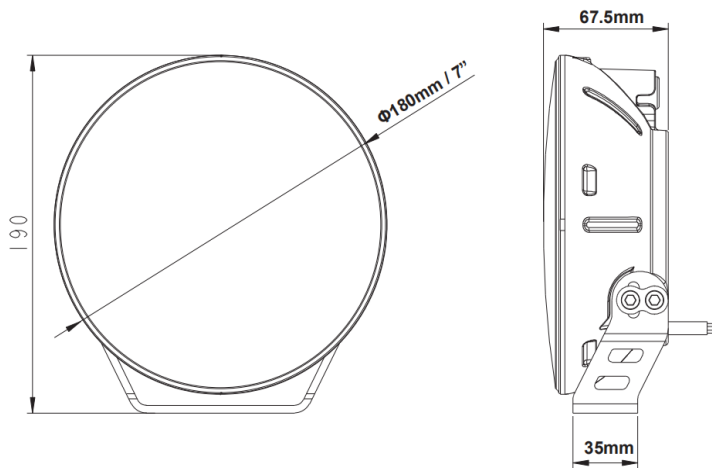
← Amber/ White Selectable DRL

← Blacked Out Housing Design



← TIR + Reflector Combo Optics

← "ETM" Thermal Management System



Material Specifications:

- 4x 10w LEDs + 4x 5w LEDs
- CCT Color Temp: 5500K
- Hard Coated PMMA Front Lens
- Polycarbonate (PC) Optic Lenses
- Die Cast Aluminum Alloy Housing
- Stainless Steel Bracket and Hardware

Features:

- Driving beam with dual position light
- Anti-rust / Corrosion / Freezing Resistance
- Electronic Thermal Management (ETM)
- TIR & Side reflecting Optic system
- ECE R112 / R7 / R10, CE
- Over / Under Voltage Protection
- Reverse Polarity Protection
- UV Resistant; Shock Resistant -15G
- Ingress Protection IP68
- LED Lifespan: 50,000+ Hr
- Warranty: one year

| Part NO. | LEDs | Dimensions | Beam pattern | Ref. No. | AMP Draw (12V/24V) | Luminous Flux (lm) | Peak Beam Intensity (cd) | Operating conditions: |
|----------|------------------------------|-----------------|---------------------|---------------|-------------------------|---|--------------------------|---|
| 2915-023 | 4PCS*10W+ 4PCS*5W LEDs | Φ180*190*67.5mm | Combo beam (30°) | Ref. No.:37.5 | Main light: 4A/2A | Raw lumens: 6000lm Effective lumens:4800lm | 141000CD | • Voltage: DC9-36V • Environment temperature -40~+60 ° C |
| | | | | | Park light: 0.06A/0.03A | | | |