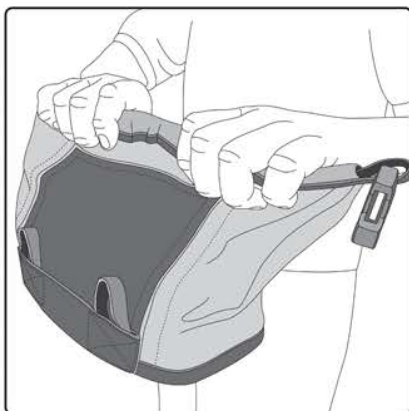


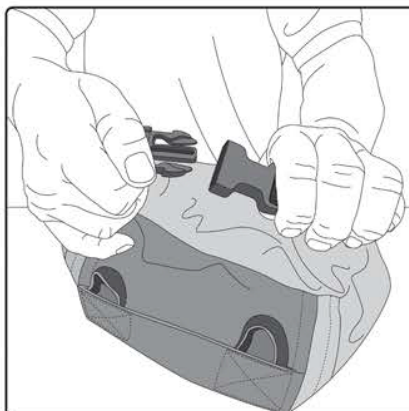
Dry Duffle Bag Mounting Instructions

SE-1015 Dry Roll Bag 15L
SE-1030 Dry Roll Bag 30L

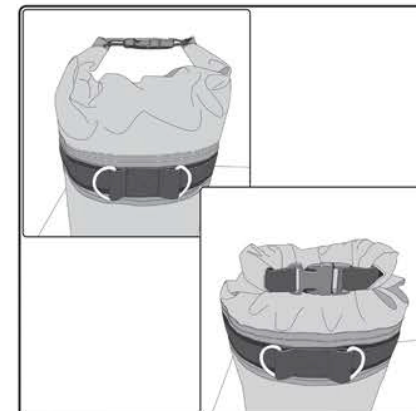
Please read instructions carefully before installation. We recommend this product be installed by a qualified, and experienced technician. If you are unsure of any of the below directions and or your ability to correctly and securely install this product, please contact us or your local dealer for help. Below diagrams show typical installation, your vehicle may be different so please use diagrams as a guide. Make sure your vehicle is clean and free from dirt, road grime etc. where the this product mounts. It is the riders responsibility to make sure the product is mounted and secure before each use. Loading the bag may result in a change of position, always check for proper mounting position after loading and before each and every ride.



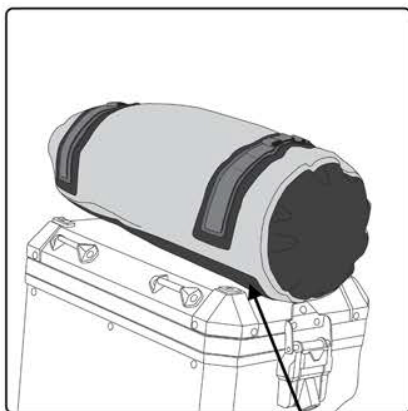
Fill the bag to the desired level, push or burp out the air and roll down the top minimum of 3 times.



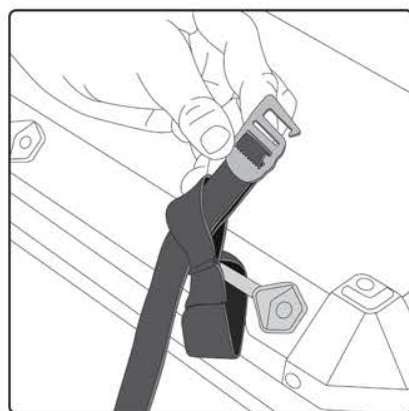
Once the top has been rolled down to the size of your contents, connect the quick release buckle to hold the roll in place.



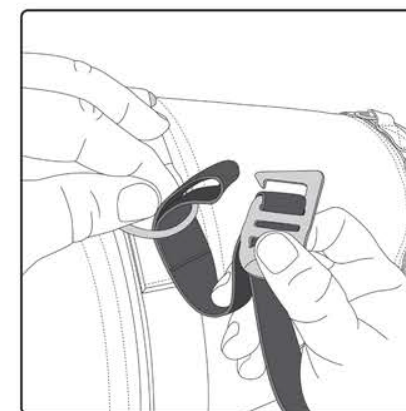
You can connect the buckles over the top like a handle or we recommend folding the ends around the front rolled section of the bag.



Place the Dry Roll Bag with the Trimax Nylon facing down on your seat, saddlebag or desired location. Be careful not to place it on a sharp or hot surface.



Loop one of the 4 straps around a rack or secure location on your vehicle. Pass the G hook through the webbing loop and pull snug. Repeat with other 3 straps.



Loop the soft tie strap thru the "D" ring and insert the G hook. Once all straps are connected, make sure the bag is centered and pull all straps tight. Tie off any loose straps or fold under the provided elastic loop.

Warning

Read the installation instructions and make yourself familiar with the process of installing the Rigg Gear product(s) on your vehicle. It is your responsibility to install the product(s) correctly and securely as outlined in these instructions. Rigg Gear products must not be overloaded or over tightened. Failure to adhere to these warnings may result in, but not limited to, the product becoming detached, becoming tangled in moving parts of the vehicle, unstable vehicle dynamics, reduction in the ability to control the vehicle. The result(s) could lead to serious injury.

Always drive safely. Always wear a helmet and protective apparel.

