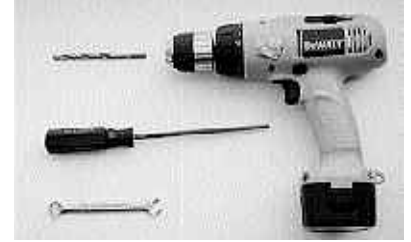


TOOLS REQUIRED:

Flexible Measuring Tape
Grease Pencil or Crayon
Cellophane Tape
Block of wood that fits between Fender & Tire,
Template located on page 2.

Power Drill with 1/4" Drill Bit
No. 2 Phillips Screwdriver
11/32 or 9mm Wrench
Rattail File 1/4" OD

**PARTS LIST:**

Fender Tip, N739FF Front of Front

Bag No. 311	Qty.
Nut Hex, 3/8"	3
Washer, Lock	3
Screw, Phillips 8-32 x 3/8"	2

INSTALLATION**1. Find Center of the Fender**

A. To find center of fender, place a measuring tape across fender on area covered by Fender Tip. Use easy to find points for the start and end of this measurement. Divide this measurement by two, and mark the corresponding spot on the fender.

2. Place Template

A. Align the LOWER EDGE OF TEMPLATE to be flush with the LOWER EDGE OF THE FENDER, matching center line of template with marked center point. Secure the template onto the fender with cellophane tape.

B. Do a visual alignment.

3. Drill Center Hole.

A. Place block of wood between the fender and the tire to avoid tire damage. Drill through the fender at the Center Hole location on the template.

B. Remove wood block and template. Test fit Fender Tip. If necessary, adjust hole with Rattail file until tip fits snug all around.

4. While holding Fender Tip securely in place, mark side holes. Remove Fender Tip. Place block of wood between the fender and the tire to avoid tire damage. Drill through the fender at the marks.

5. Install Fender Tip. Install Fender Tip at center location. Place a washer over stud and secure with nut. Install Fender Tip at side locations, using a Phillip screw, washer and secure with nut.

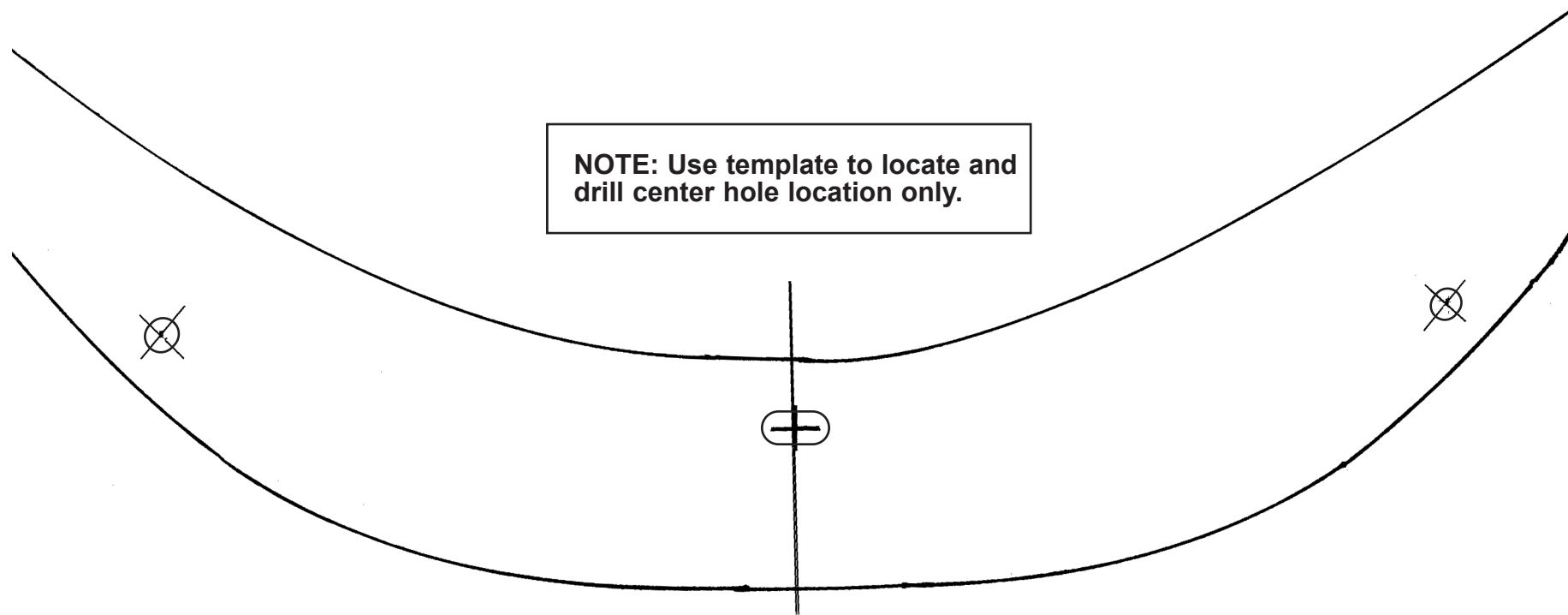
6. Carefully tighten nuts with wrench. The nuts should be tight enough to avoid rattles.

A. Check the tightness of the nuts after about ten miles of riding

CARE AND MAINTENANCE: Clean and polish with a chrome cleaner/polish. Check tightness of the nuts regularly.

N739FF Front of Front Fender KAWASAKI® VN1500G NOMAD

NOTE: Use template to locate and drill center hole location only.



USE FRONT EDGE OF TEMPLATE AS PLACEMENT GUIDE

Find out more about custom accessories & trim we have.