

### Attention



Special notes and cautionary measures which can prevent damage to the accessory or motorcycle.

### Note:



Tips for facilitation of operation, control and adjustment, as well as maintenance work.

#### PARTS LIST FOR N7052

Part	Description	Qty.
70-710092F-000	Front of Front	1
With Applied, Foam Tape		
Template included with this installation instruction		

70-710092R-000	Rear of Front	1
----------------	---------------	---

#### Parts from Bag #500 to be used in Front of front installation

42-450011-001	Nut, Hex	1
49-490531-000	Washer	1



77-770200-000	Alcohol Wipe	1
---------------	--------------	---

wrapped with instruction sheet

Additional parts are used in the installation of the Rear of Front Tip



#### TOOLS REQUIRED

Template for Drilling (supplied with instruction sheet)

Scissors

Flexible Measuring Tape

Pencil for Marking

Tape

Thin piece wood that fits between Fender & Tire

Power Drill with 3/16" Drill Bit

9mm Open End Wrench

Center Punch

Phillips Screw Driver

5/16" Open End Wrench

#### PREPARATION



The front of front fender tip combines a hidden screw, with 3M tape installation. Please follow the instructions below for proper installation. Allow time for the 3M® brand quality tape to cure for 24 hours at 70-90° F (21-32° C) before washing, waxing or riding the motorcycle.

#### Clean the Front Fender

1. Thoroughly wash fender where Fender Tip will be installed.

#### Figure 1



Area where Tip will mount should be free of all dirt, wax, soap or other residue. The 3M® brand tape will adhere extremely well when applied to a clean area.

2. Wipe area with the alcohol wipe. **Figure 2**

#### Cut Template

3. Cut paper template on the dotted line. **(Scissors) Figure 3.**

#### Locate Center of Fender

4. Tape template on fender adjusting the template between the **Fender Crease Lines** of the VT1300CR. Align center of Template with center of fender. Front edge of template will be at the leading edge of the fender. **(Tape) Figure 4**

5. Verify the center mark of Template with a measuring tape across fender. Do a visual check, make adjustments if necessary. **(Measuring Tape) Figure 4**



Figure 1



Figure 2

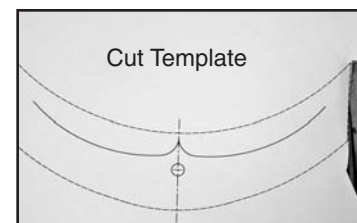


Figure 3

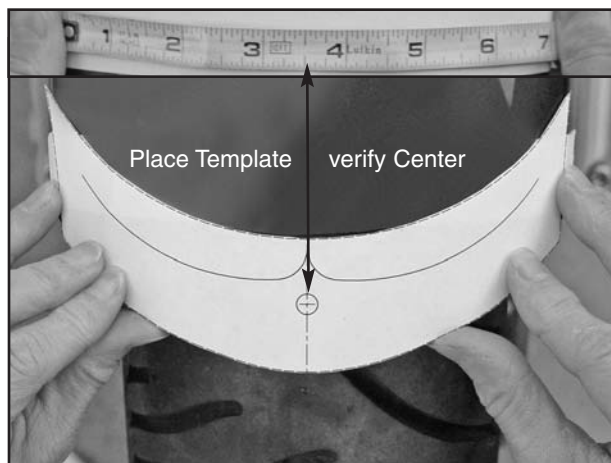


Figure 4

## INSTALLATION

### Drill Center Hole

1. Start hole normal to surface, angle drill downward to elongate hole. (Power Drill with 3/16" Drill Bit.) **Figure 5**



Area between front fender and tire is tight. **DO NOT** drill into tire. Place a thin piece of wood between the fender and the tire to avoid tire damage.

### Install Fender Tip

2. Remove liner from tape. Carefully slide tip on fender inserting mounting stud through drill hole. **Figure 6**
3. Squeeze sides of tip against fender.
4. Place a Washer onto the stud and secure with Hex Nut. **Figure 7**
5. Carefully tighten Nut with wrench. The nut should be tight enough to avoid rattles. (**9mm Open End Wrench**) **Figure 7**
6. Check the tightness of the nuts regularly.

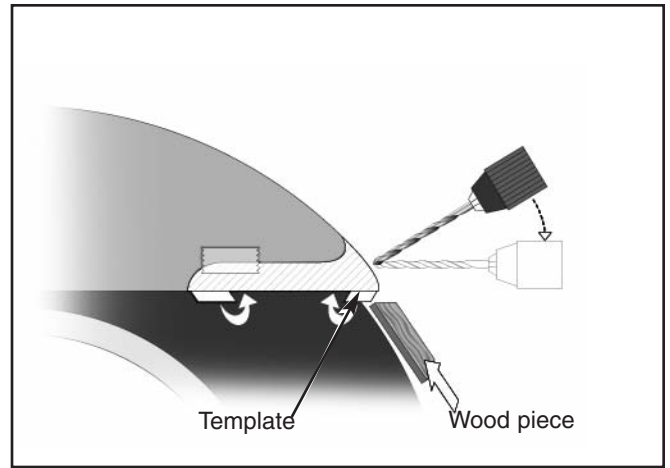


Figure 5

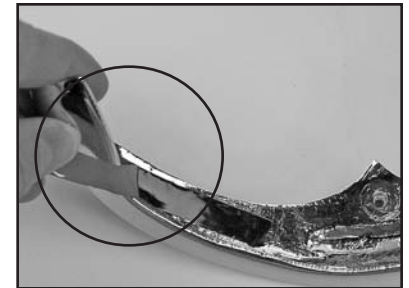


Figure 6



Figure 7

## PARTS LIST FOR N7052 REAR OF FRONT FENDER

<u>Part</u>	<u>Description</u>	<u>Qty.</u>
70-710092R-000	Rear of Front Fender	1

### Parts from Bag #500 used in Rear of Front installation

49-490531-000	Washer	2
42-423050-000	Nut, Nylok	2
55-568216-000	Screw, M5	2



## INSTALLATION INSTRUCTION

Part No. N7052 For Honda VT1300CR Stateline

Rear of Front Fender Tip

Page 3

### PREPARATION

1. Position motorcycle securely on its center stand or a work stand.

#### Clean the Front Fender

2. Thoroughly clean fender where Fender Tip will be installed.

**Figure 8**



Figure 8


### INSTALLATION

1. Carefully, position the Rear of Front Fender Tip on the fender, make sure the Tip is centered on the fender. **Figure 9**

2. Mark the hole locations with the marking pen. **Figure 9**

3. Remove the Fender Tip.

4. To avoid the drill slipping on the fender, use a Center Punch to make an impression at the center of your mark. Drill holes through the fender at the marks.

 **Due to close clearances between front fender and tire, place block of wood between the fender and the tire to avoid tire damage.**

5. Position the Fender Tip, and squeeze fender toward tip. Insert the Screws from the outside. Install the Washers and Nuts to the inside. Tighten securely. **(Phillips Screw Driver and 5/16" Open End Wrench) Figure 10**



Figure 9

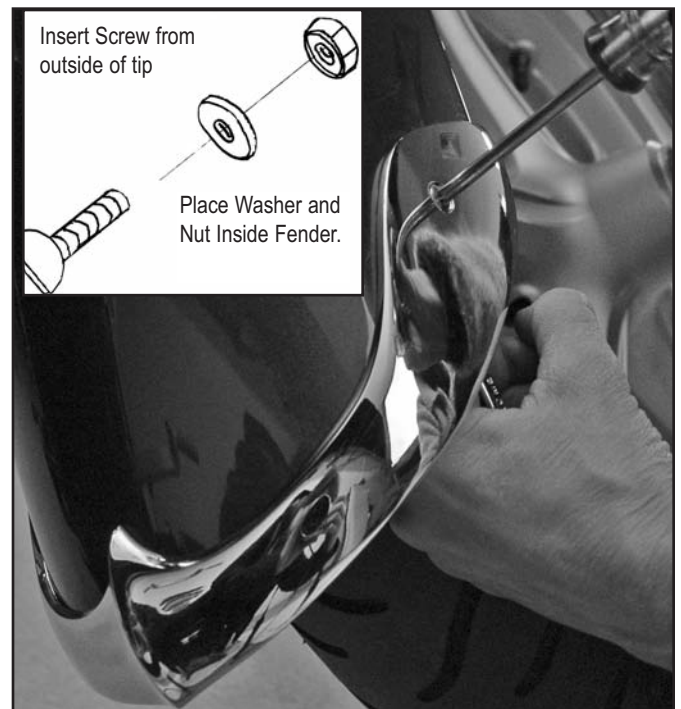


Figure 10

### MAINTENANCE

Clean and polish with a chrome cleaner/polish. Check tightness of the nuts regularly.

1: 1 INCHES

