

Attention



Special notes and cautionary measures which can prevent damage to the accessory or motorcycle.

Note:



Tips for facilitation of operation, control and adjustment, as well as maintenance work.

PARTS LIST FOR N7032

<u>Part</u>	<u>Description</u>	<u>Qty.</u>	
70-710094F-000	Front of Front	1	With Applied, Foam Tape
Template included with this installation instruction			

70-710094R-000	Rear of Front	1	
----------------	---------------	---	--

Parts from Bag #500 to be used in Front of front installation

42-450011-001	Nut, Hex	1	
49-490531-000	Washer	1	



77-770200-000	Alcohol Wipe	1	
---------------	--------------	---	--

wrapped with instruction sheet

Additional parts are used in the installation of the Rear of Front Tip

PREPARATION



The front of front fender tip combines a hidden screw, with 3M tape installation. Please follow the instructions below for proper installation. Allow time for the 3M® brand quality tape to cure for 24 hours at 70-90° F (21-32° C) before washing, waxing or riding the motorcycle.

Clean the Front Fender

1. Thoroughly wash fender where Fender Tip will be installed.

Figure 1



Area where Tip will mount should be free of all dirt, wax, soap or other residue. The 3M® brand tape will adhere extremely well when applied to a clean area.

2. Wipe area with the alcohol wipe. **Figure 2**

Cut Template

3. Cut paper template on the dotted line. **(Scissors) Figure 3.**

Locate Center of Fender

4. Tape template on fender. Align center of Template with center of fender. Front edge of template will be at the leading edge of the fender. **(Tape) Figure 4**

5. Verify the center mark of Template with a measuring tape across fender. Do a visual check, make adjustments if necessary. **(Measuring Tape) Figure 4**



TOOLS REQUIRED

Template for Drilling (supplied with instruction sheet)
 Scissors
 Flexible Measuring Tape
 Pencil for Marking
 Tape
 Thin piece wood that fits between Fender & Tire
 Power Drill with 3/16" Drill Bit
 9mm Open End Wrench
 Center Punch
 Phillips Screw Driver
 5/16" Open End Wrench



Figure 1



Figure 2

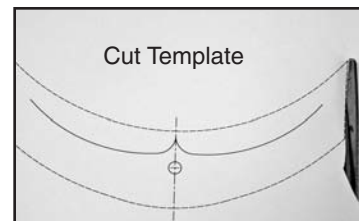


Figure 3

Note: Stock photos used in illustrating this installation.

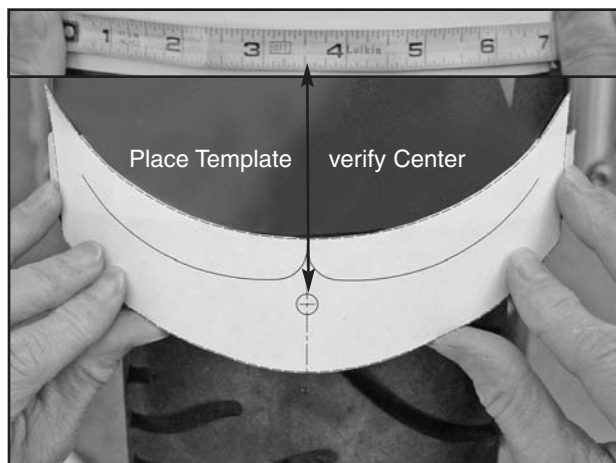


Figure 4

INSTALLATION

Drill Center Hole

1. Start hole normal to surface, angle drill downward to elongate hole. (Power Drill with 3/16" Drill Bit.) **Figure 5**



Area between front fender and tire is tight. **DO NOT** drill into tire. Place a thin piece of wood between the fender and the tire to avoid tire damage.

Install Fender Tip

2. Remove liner from tape. Carefully slide tip on fender inserting mounting stud through drill hole. **Figure 6**
3. Squeeze sides of tip against fender.
4. Place a Washer onto the stud and secure with Hex Nut. **Figure 7**
5. Carefully tighten Nut with wrench. The nut should be tight enough to avoid rattles. (**9mm Open End Wrench**) **Figure 7**
6. Check the tightness of the nuts regularly.

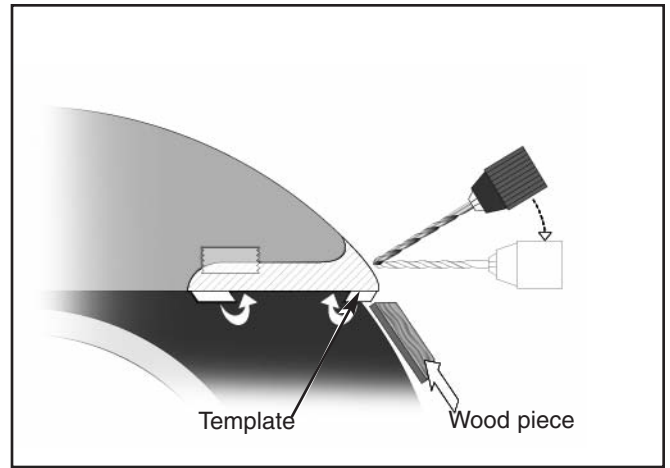


Figure 5

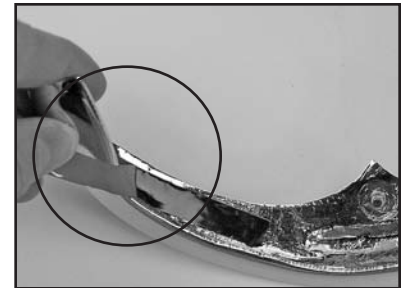


Figure 6



Figure 7

PARTS LIST FOR N7052 REAR OF FRONT FENDER

<u>Part</u>	<u>Description</u>	<u>Qty.</u>
70-710094R-000	Rear of Front Fender	1

Parts from Bag #500 used in Rear of Front installation

49-490531-000	Washer	2
42-423050-000	Nut, Nylok	2
55-568216-000	Screw, M5	2



INSTALLATION INSTRUCTION

Part No. N7032 For Yamaha XV1600 Roadstar

Rear of Front Fender Tip

Page 3

PREPARATION

1. Position motorcycle securely on its center stand or a work stand.

Clean the Front Fender

2. Thoroughly clean fender where Fender Tip will be installed.

Figure 8



Figure 8


INSTALLATION

1. Carefully, position the Rear of Front Fender Tip on the fender, make sure the Tip is centered on the fender. **Figure 9**

2. Mark the hole locations with the marking pen. **Figure 9**

3. Remove the Fender Tip.

4. To avoid the drill slipping on the fender, use a Center Punch to make an impression at the center of your mark. Drill holes through the fender at the marks.

 **Due to close clearances between front fender and tire, place block of wood between the fender and the tire to avoid tire damage.**

5. Position the Fender Tip, and squeeze fender toward tip. Insert the Screws from the outside. Install the Washers and Nuts to the inside. Tighten securely. **(Phillips Screw Driver and 5/16" Open End Wrench) Figure 10**



Figure 9

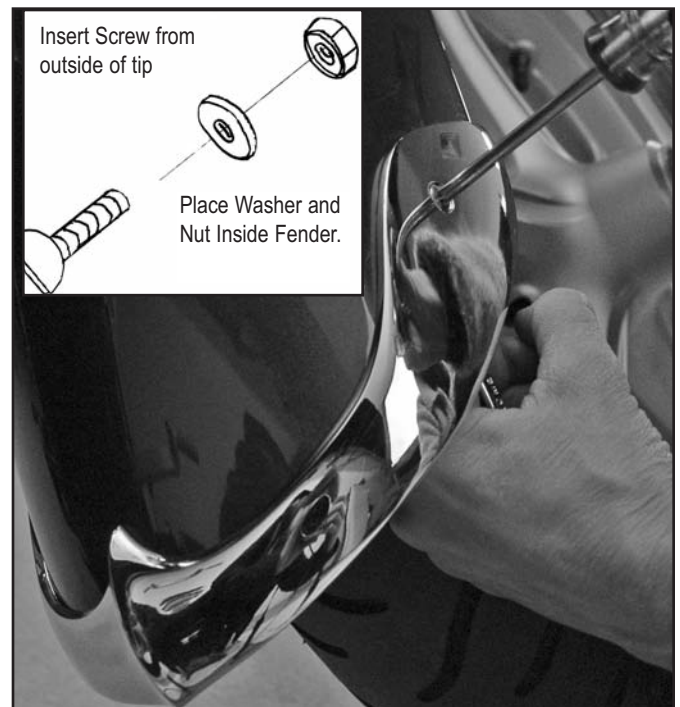


Figure 10

MAINTENANCE

Clean and polish with a chrome cleaner/polish. Check tightness of the nuts regularly.

1: 1 INCHES

