



**INSTALLATION AND OWNER'S MANUAL**  
**N5546 for Harley-Davidson®**  
**Late Model XL and XR / Sportster and Nightster**  
**Models 2004~**

Thank you for purchasing a National Cycle product.

**Dealers:** If installing this product for a customer please give them this manual. It contains information needed to properly maintain and use this product.

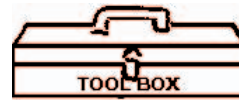
**PARTS LIST**

Index	Description	Part No.	Qty.
1	Shield, Hand Deflector	20-231004-000	2
2	Plate, Outside	37-370900-000	2
3	Nut, 1/2-20 Acorn	42-480000-000	4
4	Screw, 1/4-20, Nylon	50-530505-000	4
5	Washer, Neoprene	75-762010-000	4
<b>Bag #849</b>			
6	Bracket, Left	37-370917-000	1
7	Bracket, Right	37-370918-000	1
8	Washer, 3/8" Int. Lock	49-492310-000	2

**NOTE:** Left and right side of motorcycle are determined from rider's perspective while sitting on motorcycle.

**PREPARATION Pre-assemble parts**

1. Identify the Right and Left Brackets, item 7 and 6.
2. **Select the Right Bracket, (7)** and attach to Hand Deflector Shield as shown. Insert the Screws (4) from the **INSIDE** of the Shield. Place the Neoprene Washers (5) and the Outside Plate (2) over the Screws and add the Nuts (3). Tighten until snug, do not over-tighten. **(Screwdriver and 7/16" Wrench) Figure 1**
3. **Select the Left Bracket.** Attach Bracket to a Hand Deflector Shield using same procedure as with the Right side.



Tools:  
 Wrench 7/16"  
 Wrench, 1/2"  
 Screwdriver, Flat

**MAINTENANCE**

To clean the plastic, wash with a clean soft cloth, plenty of warm water and, if necessary, a non-abrasive soap such as dish washing liquid. Flannel or soft chamois make good cleaning cloths.

**RIGHT SIDE**

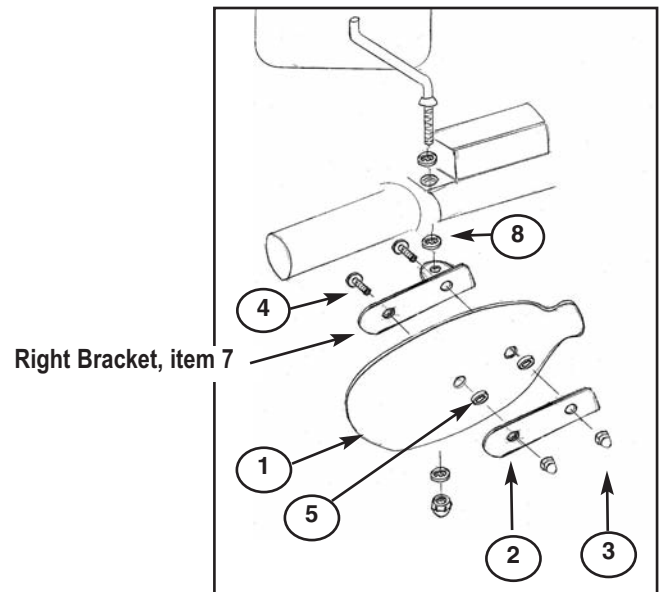
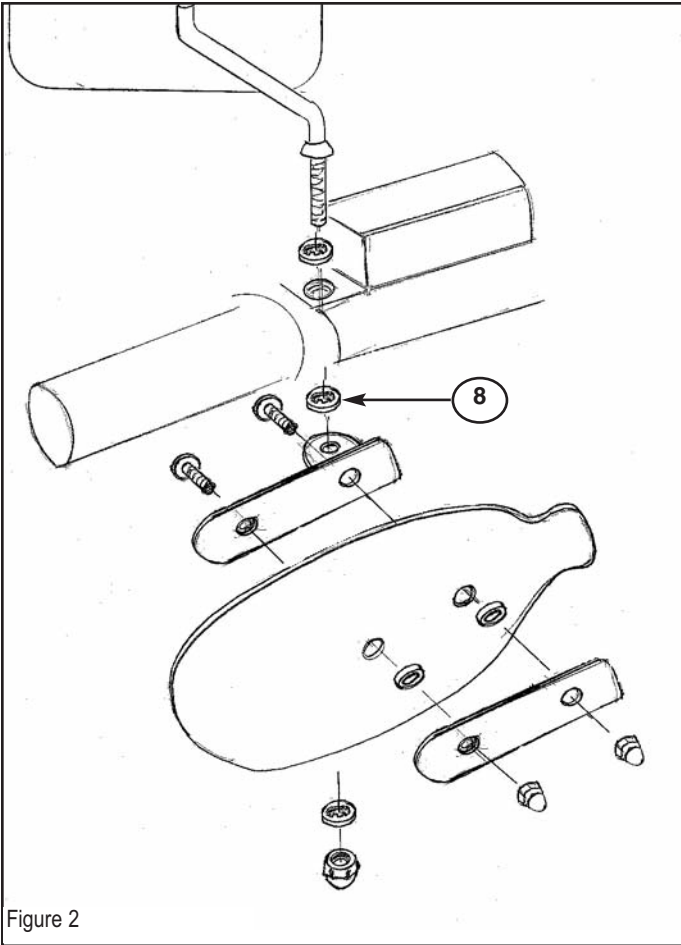


Figure 1

## RIGHT SIDE HAND DEFLECTOR ASSEMBLY



1. Remove the right mirror, (Wrench, 1/2"). Retain the stock nut and washers.
2. Place a Lock Washer (8) between the Bracket and the brake lever perch. **Figure 2**
3. Position the right Hand Deflector assembly onto the mirror stem from below the handlebar.
4. Install the original nut and lock washer onto the mirror stem, finger tight.
5. Adjust the Hand Deflector and mirror.
6. Tighten the mirror nut to 12 ft-lbs. torque. **(1/2" Wrench)**
7. Repeat procedure for Left side.