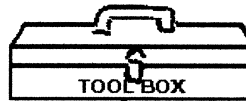


**PARTS LIST**

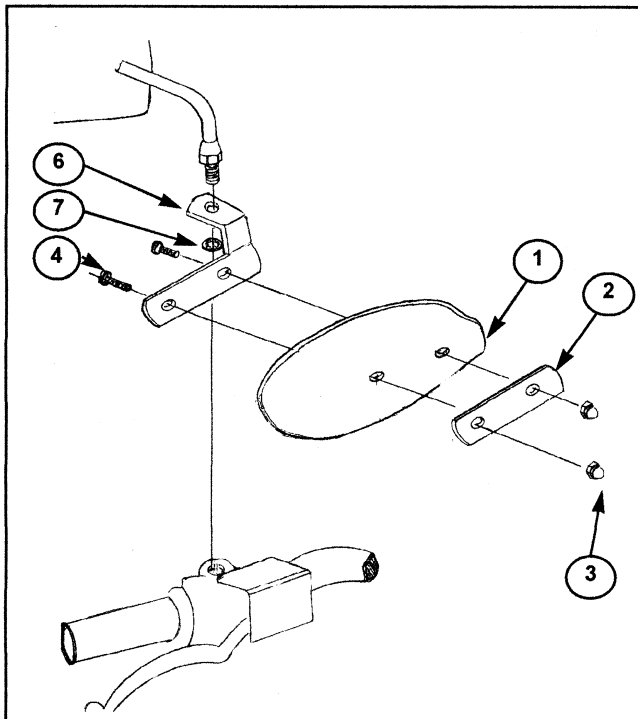
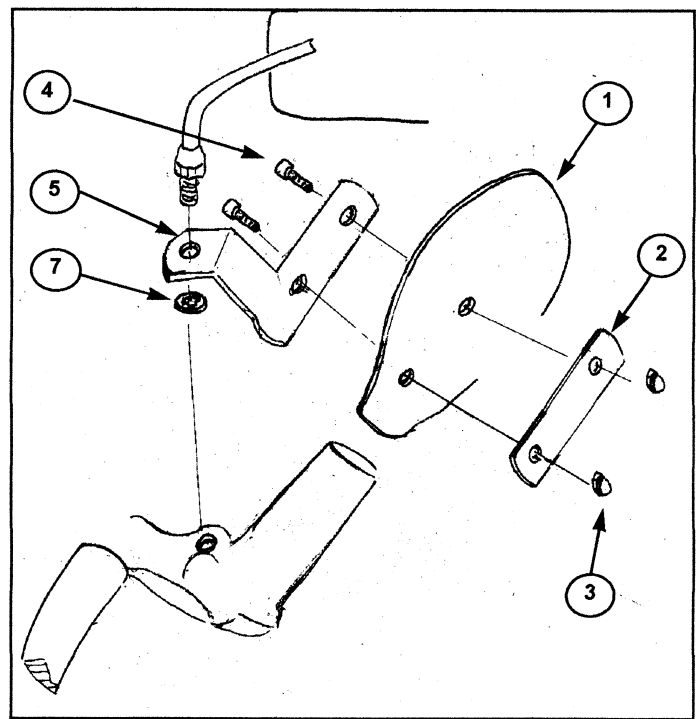
| Index No. | Description              | Part No.      | Qty. |
|-----------|--------------------------|---------------|------|
| 1.        | Shield, Hand Deflector   | 20-231000-000 | 2    |
| 2.        | Plate, Outside           | 37-370900-000 | 2    |
| 3.        | Nut, 1/4-20 Acorn        | 42-480000-000 | 4    |
| 4.        | Screw, 1/4-20x1/2, Nylon | 50-530500-000 | 4    |
| 5.        | Bracket, Left            | 37-370911-000 | 1    |
| 6.        | Bracket, Right           | 37-370912-000 | 1    |
| 7.        | Washer, 3/8 Int. Lock    | 49-492310-000 | 2    |


**Tools used in all installations:**

Wrench 17mm

Wrench, 7/16"

Screwdriver, 3/8" Flat

**RIGHT SIDE OF MOTORCYCLE HAND DEFLECTOR ASSEMBLY**

**LEFT SIDE OF MOTORCYCLE HAND DEFLECTOR ASSEMBLY**

**PREPARATION**

Assemble the Hand Deflectors with the tab end of each Bracket at the narrow end of the Shield. Insert the Screws from the **INSIDE** of the Shield. Place the Outside Plate over the Screws and add the Nuts. Tighten until snug, do not over tighten.

**INSTALLATION**

Remove the *right* Mirror, (Wrench, 17mm).

Position a Lock Washer(7) so it is between the Mirror Mount and the Hand Deflector Bracket (6.)

Position the *right* Hand Deflector assembly onto the Mirror Mount.

Install the Mirror, adjust it, then tighten the Mirror Nut to 1.8 m-kg (13 ft. lbs.) torque.

Repeat the above procedure for the *left* side.