

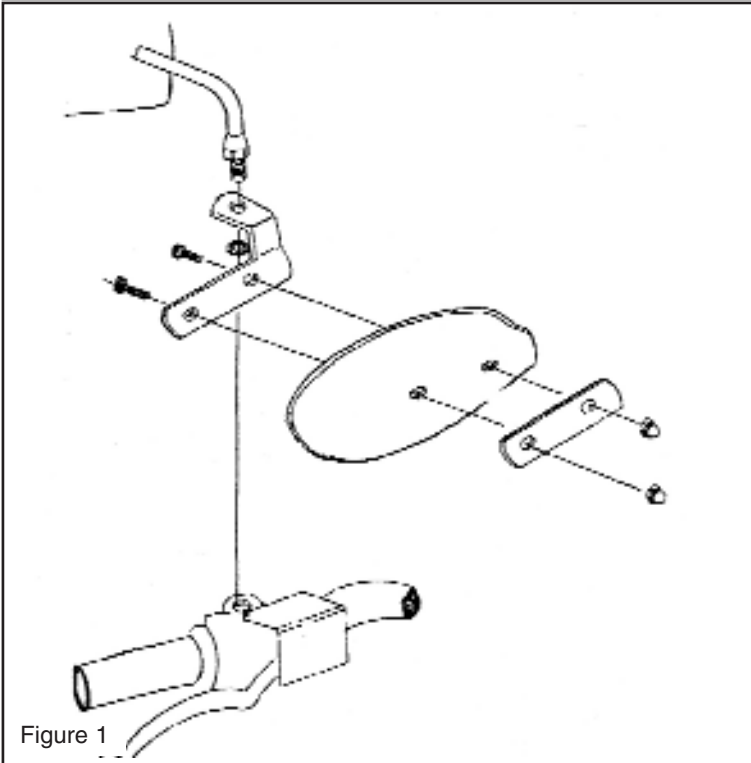
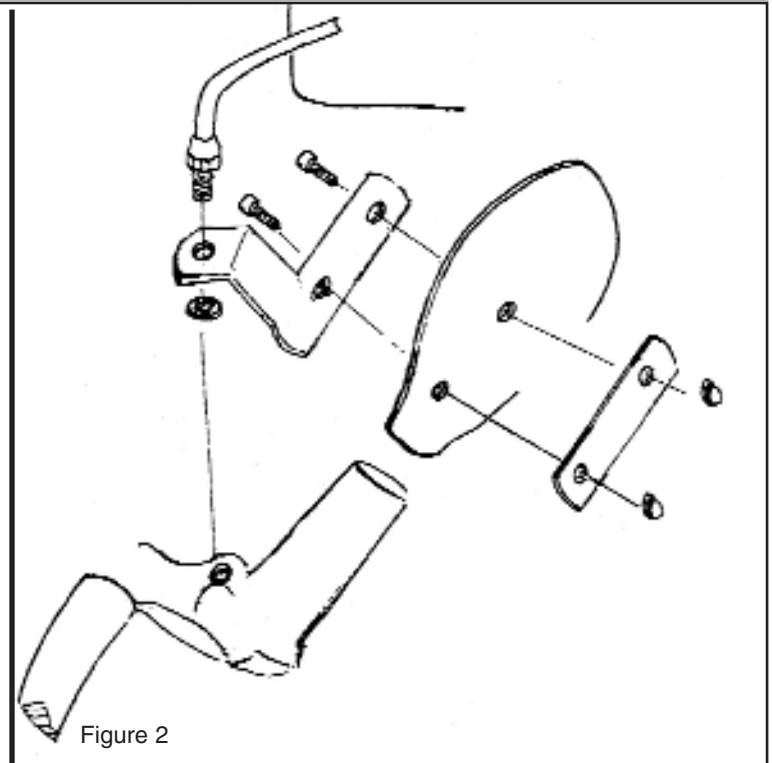
PARTS LIST

<u>Index</u>	<u>Description</u>	<u>Part No.</u>	<u>Qty.</u>
1	Shield, Hand Deflector	20-231003-000	2
2	Plate, Outside	37-370900-000	2
3	Nut, /-20 Acorn	42-480000-000	4
4	Screw, /-20 x fi, Nylon	50-530500-000	4
5	Bracket, Left	37-370913-000	1
6	Bracket, Right	37-370914-000	1
7	Washer, 3/8" Int. Lock	49-492310-000	2



Wrench, 17mm
 Wrench, 7/16"
 Screwdriver, 3/8" Flat

NOTE: Left and right side of motorcycle are determined from rider's perspective while sitting on motorcycle.

RIGHT SIDE OF MOTORCYCLE HAND DEFLECTOR ASSEMBLY

LEFT SIDE OF MOTORCYCLE HAND DEFLECTOR ASSEMBLY

PREPARATION

Assemble the Hand Deflector plastic to the Right and Left brackets as shown in Figure 1 and 2. Note, screws are inserted through the bracket from the INSIDE of the plastic. Place the outside plate (2) over the screws (4) and add the nuts (3). Tighten until snug, do not over tighten.

INSTALLATION

Remove the right mirror, (Wrench, 17mm).

Position a lock washer (7) so it is between the mirror mount and the Hand Deflector bracket (6).

Position the right Hand Deflector assembly onto the mirror mount.

 **Check clearance of Hand Deflector to gas tank by turning handlebar to a full lock left and right. If necessary adjustment Hand Deflector by rotating bracket (5) or (6) until plastic does not contact gas tank.**

Install the mirror, check clearance, adjust, then tighten the mirror nut to 1.8 m-kG (13 ft lbs.) torque.

Repeat the above procedure for the left side.

MAINTENANCE To clean the plastic, wash with a clean soft cloth, plenty of warm water and, if necessary, a non-abrasive soap such as dish washing liquid. Flannel or soft chamois make good cleaning cloths. Paint, glue residue or grease removal: Moisten cotton with Naphtha or Turpentine followed by a wash as above.