

Dealers: If installing the windshield for a customer please give them this manual. It contains information needed to properly maintain and use this product.

Attention:



Special notes and cautionary measures which can prevent damage to the accessory or motorcycle.

Note:



Tips for facilitation of operation, control and adjustment, as well as maintenance work.

Parts List

INDEX	DESCRIPTION	QTY.
Not pictured	20-202804-000	Windscreen, Short, Dark N28208 1
Not pictured	20-202805-000	Windscreen, Tall, Dark N28209 1
Not pictured	20-202806-000	Windscreen, Tall, Light N28210 1
1	37-370720-000	Mount Bracket, Lower Left 1
2	37-370721-000	Mount Bracket, Lower Right 1
3	37-370793-000	Mount Bracket, Upper Left 1
4	37-370794-000	Mount Bracket, Upper Right 1
BAG#957		
5	75-764011-000	Clamp Spacer, Rubber Strip 4
6	34-346041-000	Cap, Chrome 4
7	44-447304-000	Grommet 4
8	55-565107-000	MS, Phillips 10-32 x 5/8" 4
9	51-518316-000	CS, Button M8 x 16 4
SUZUKI M90 CLAMP HALVES ARE SILVER, NOT BLACK		
10	37-371134-000	Clamp Half, 57mm Lower Inner 2
11	37-371139-000	Clamp Half, 50mm Upper Inner 2



Hex Key Wrench, 6mm
Phillips Screwdriver, #2



Right and Left side of Motorcycle is determined while sitting on the bike.
Determine left from right Upper bracket. Washer angles inboard about 5 degrees.

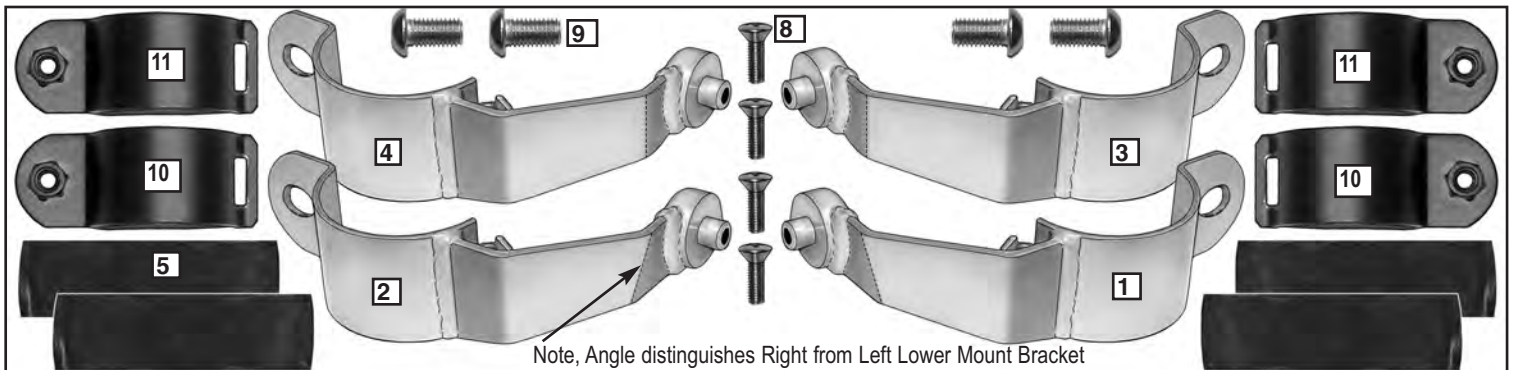
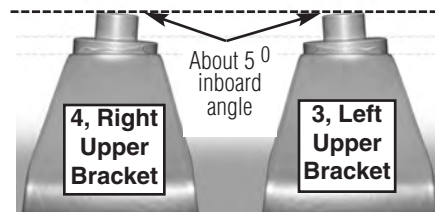


Figure 1



PREPARATION



Position the motorcycle securely on its stand or a work stand. Cover the front fender and fuel tank with a cloth to avoid scratches from dropped tools.

1. Use the above diagram to identify left from right Lower and Upper Mount Brackets. **Figure 1**

2. Cut each of the clamp spacers in half to make 8 pieces, each 2.5 x 1.55".

3. Apply one spacer to the inside of each mount bracket. **Figure 2**



Figure 2

INSTALLATION



Position front nose of windshield for a minimum of 1/2" (13mm) clearance to headlight. **Figure 5.**

Right Side Lower Mount Assembly

1. Start on the **Right Side** of motorcycle. At the top of the fork, place **Lower Inner Silver Clamp** half on the fork tube. **Figure 3**

2. Hook the **Right Side Lower Mount Bracket** (2) to the inside clamp. **Figure 4**

3. Position assembly about 1.5" (38mm) from top of lower triple clamp. Adjust bracket so flat in bracket runs parallel with motorcycle. **Figure 5**

4. **Loosely** install one M8 x 16 screw. (**6mm Hex Key**) **Figure 6**

Right Side Upper Mount Assembly

5. Place the **Upper Inner Silver Clamp** on the right fork tube.

6. Hook the **Right Side Upper Mount Bracket** (4) to the inside clamp. Position assembly about 1/4" (12mm) from bottom of upper triple clamp. Adjust bracket so flat in bracket runs parallel with motorcycle.

7. **Loosely** install one M8 x 16 screw. (**6mm Hex Key**)

8. Adjust upper mount assembly to complement lower. Final adjustment will be done when windscreen is installed.

9. Repeat for left side of motorcycle. Check left and right assemblies for symmetry. Adjust brackets if necessary.



Be sure to check full left and right fork locks for proper clearance after any adjustment is made.



Figures 3, 4, 6 and 7 are photographed on a M109. M90 installation is the same.



Figure 3



Figure 4

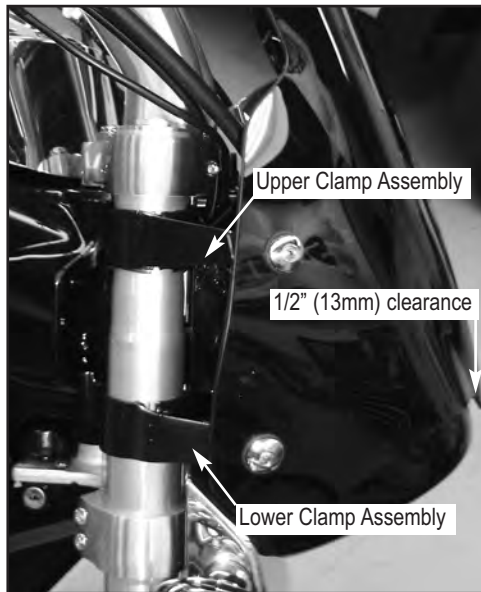


Figure 5

With fork straight, flat side of lower mount will parallel line of motorcycle.

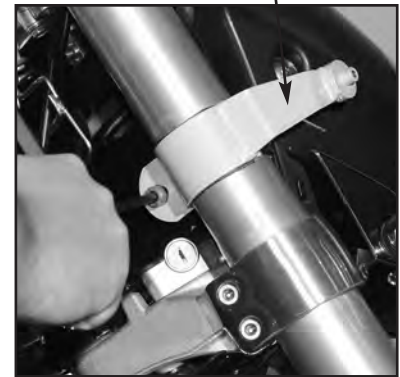


Figure 6

INSTALL WINDSCREEN

1. Install a grommet into the mount hole of windscreen. Repeat for other 3 holes.

2. Place windscreen onto mounts. Adjust mounts to align to holes in windscreen. Check windshield for symmetry left and right.



Figure 7



Take care when installing the M32 Phillips screws to avoid cross threading.

3. Using one Phillips Screw and one Chrome Cap attach windscreen to mounts. Repeat for all four holes. Tighten screws firmly. **(Phillips Screwdriver) Figure 11.**



Check all clearances. Turn fork to full left and right stop. Check clearances of mount brackets to motorcycle. Make any necessary adjustments.

4. Tighten M8 x 16 Screws. **(6mm Hex Key)**

Maintenance: Wash with a clean soft cloth, plenty of warm water and, if necessary, a non-abrasive soap such as dishwashing liquid. Flannel or soft chamois make good cleaning cloths. Do not use rain protective products on the screen due to the solvent action of the alcohol in these products. Do not allow brake fluid, alcohol, or strong solvents to contact the screen.

National Cycle Windshield Wash Part number N1401-01 is recommended for everyday cleaning. Product is supplied with a handy travel size container and rag for easy storage on the motorcycle.



Figure 8

WARNING

Never ride your motorcycle with loose accessory mounting hardware. Check the hardware for tightness regularly.

Today's motorcycles are built with enough frame rigidity to withstand the moderate loads imposed on them by the foreseeable addition of an accessory(ies). If an accessory(ies) adversely affects your motorcycle's stability, immediately remove the accessory(ies). Do not ride a motorcycle that exhibits unsafe handling traits.

Have experienced service personnel correct any problem before riding with the accessory(ies) installed. For further questions concerning handling problems associated with an accessory(ies), contact your dealer, motorcycle manufacturer, or accessory manufacturer.

Sunlight reflected off the inside curvature of the windscreen can, at certain times of day, cause extreme heat buildup on the motorcycle's instruments and possibly even melt them. Exercise care in parking to avoid this. Park your motorcycle facing the sun or place an opaque object over this area.



National Cycle 3-Year Limited Warranty

National Cycle hereby warrants to the original registered owner of a National Cycle polycarbonate windshield for a period of three years from the date of purchase against breakage. This limited warranty is expressly limited to the replacement of the polycarbonate windshield. This limited warranty does not include scratches, coating failure, cosmetic wear and tear, replacement of hardware, or any consequential damages or expenses including labor cost of installation, removal and/or replacement, inconvenience, inbound freight expenses or damage to any other component of the motorcycle or any other accessories.

Certain chemicals, generally known as acidic hydrocarbons, are known to cause polycarbonate damage and will not be covered under this limited warranty. Please refer to the cleaning instructions supplied with all National Cycle windshields.