

SwitchBlade Mount Kit Instruction Sheet For Taper Fork Kits: Q201, Q202, Q203, Q204 and Q205

Dealers: If installing the mount kit for a customer please give them this manual. It contains information needed to properly maintain and use this product.

The SwitchBlade mount kit will allow you to mount any of the three styles of SwitchBlade windshields to the motorcycle this kit is installed on. Contact your dealer or National Cycle for complete information about all three SwitchBlade Windshields: 2-Up™, Shorty™, and Deflector™ *All Patents Pending*

Attention



Special notes and cautionary measures which can prevent damage to the accessory or motorcycle.

Note:



Tips for facilitation of operation, control and adjustment, as well as maintenance work.

Parts List Refer to Chart On Page 3.

Preparation



Proper tightening of this assembly is critical. Use a Torque Wrench!

Follow this procedure! Correct assembly of this kit will provide years of reliable service.

Position the motorcycle securely on its stand or a work stand. Cover the front fender and fuel tank with a suitable cloth to avoid scratches from dropped tools.

INSTALLATION to MOTORCYCLES WITH COVERED FORKS



This instruction covers many motorcycles with covered forks. Check the parts list of your particular kit for these items:

The Clamp Straps (7 and 8) are numbered on the inside. Verify you have the correct top and bottom straps using the parts list provided.

Some Spiders (9) have different length studs, if this is the case in your kit, **The longer stud goes on the top.**

INSTALLATION

1. On all model motorcycles with covered forks, adhere the Burr Barrier (10) to the upper triple clamp. **Figure 1.**
2. Place the Clamp Straps (7 and 8) onto the fork tube or fork cover. **The larger Clamp Strap goes below the smaller one.**
3. If your Spider Bracket (9) has different length studs, **the longer one goes on the top.**



- 1, Hex Key Wrench, 4mm
- 1, Torque Wrench that accurately measures 75 inch pounds. (8.6 Nm)

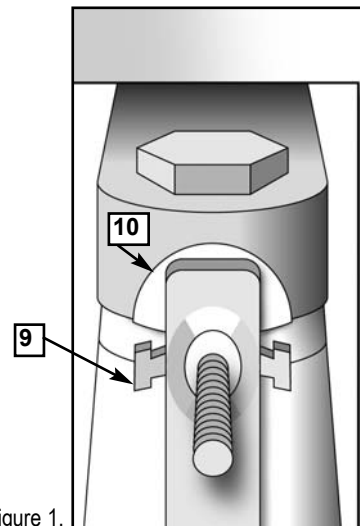
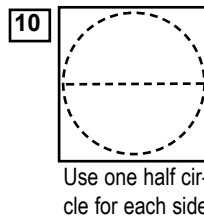


Figure 1.

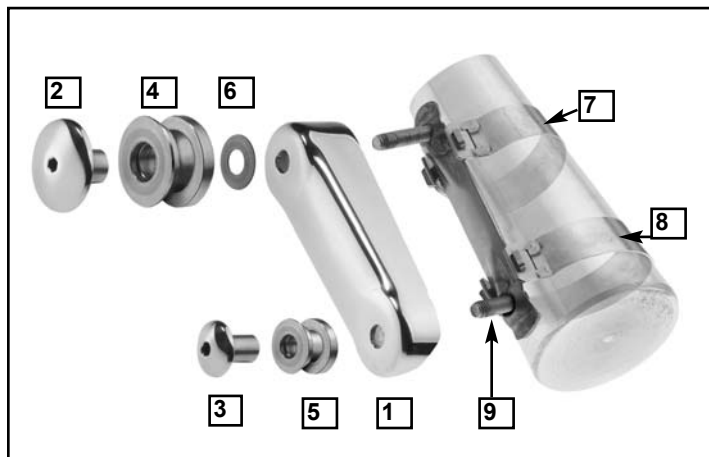


Figure 2.

4. Hook a Spider Bracket onto the Clamp Straps, hook the lower Clamp Strap first. **Figure 3.**

5. Position the Mounting Cup (1) on to the Spider Bracket so the studs protrude from the holes. **Figure 2.**



The longer side of the Mounting Cup always goes on the top. **Figure 4.**

6. Place a Brass Washer (6) onto the top stud. **Figure 2.**

7. Push the large Upper Nut (2) into the large Upper Spool (4) so the thin side of the spool is near the head of the Upper Nut. **Figure 2.**

8. Start the Upper Spool, onto the upper stud, **(4mm Hex Key)**


9. Assemble the Lower Spool (5) and Lower Nut (3) so the thin side of the Spool is near the head of the Lower Nut.

10. Start the Lower Nut/Spool onto the lower stud. **(4mm Hex Key)**

11. Repeat steps 1 through 10 on the other fork.

12. Verify that the Burr Barriers (10) are located between the Mounting Cup end and any aluminum part, fork or triple clamp. **Figure 4.**

13. Adjust both Mounting Cups front to rear so they are in line across the forks.

 **Misalignment can cause damage to fuel tank and will cause the system to not work properly. Check alignment carefully. Turn the fork carefully to the stops. Make sure the gap between the Spools and the fuel tank are the same on both sides.**

14. Tighten the Nuts to 75 INCH POUNDS (8.6 Nm) **Figure 5.** **(Torque Wrench, 4mm Hex Wrench.)**



This assembly will not “feel” like tightening a normal nut and bolt. Tightening from 25in/lbs to 50in/lbs will take at least one full turn.

15. Refer to the instructions packaged with the SwitchBlade windshield. Install the shield. Make sure all components line up.



16. Cycle the shield through the mount and dismount 5 times.



17. Retighten the Nuts to 75 INCH POUNDS. (8.6 Nm). **Enjoy your SwitchBlade Windshield.**



Figure 5

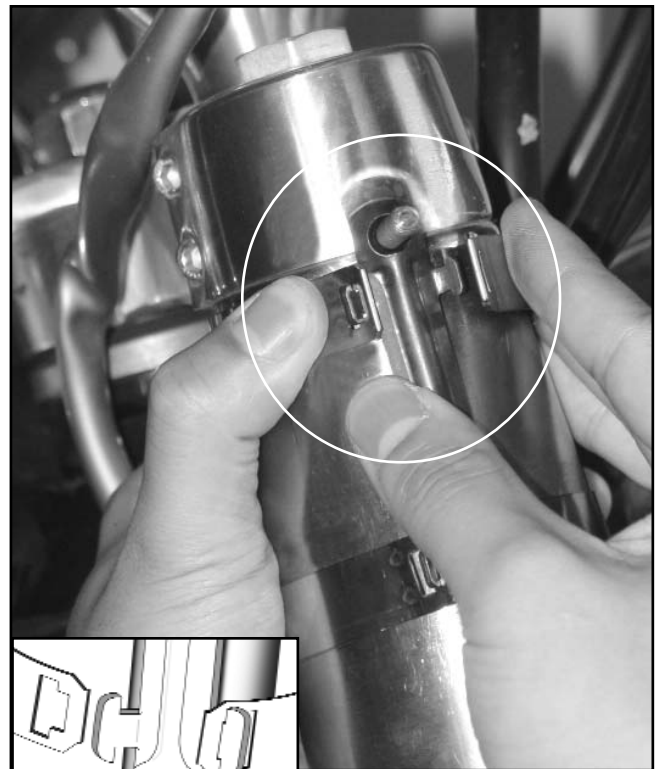
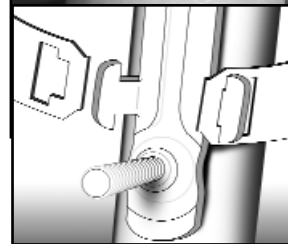


Figure 3.



Engage the bottom clamp strap to the spider first. Be sure spider hook is fully and correctly seated into the slot.

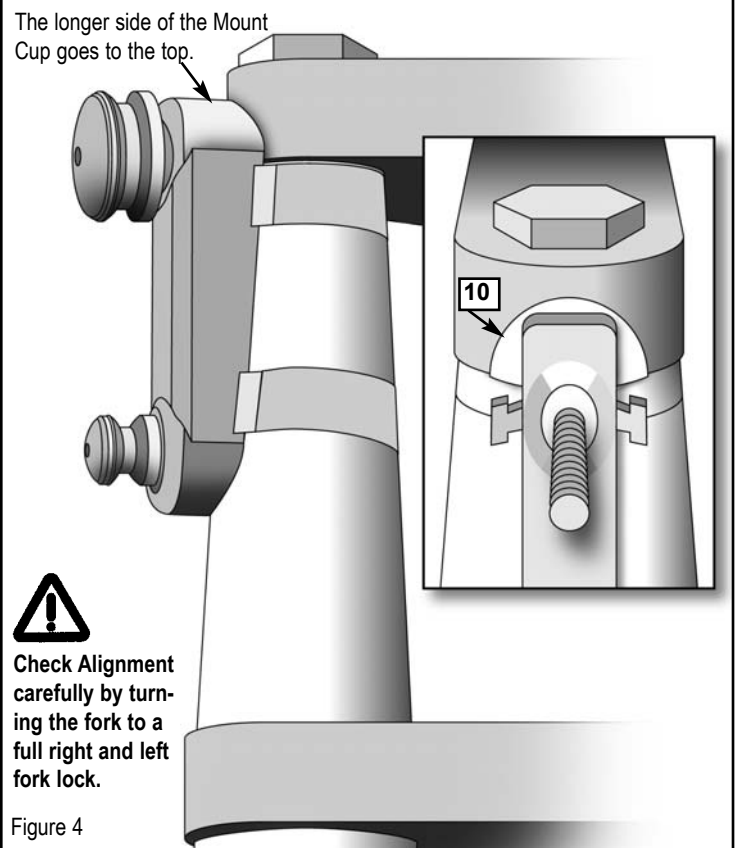
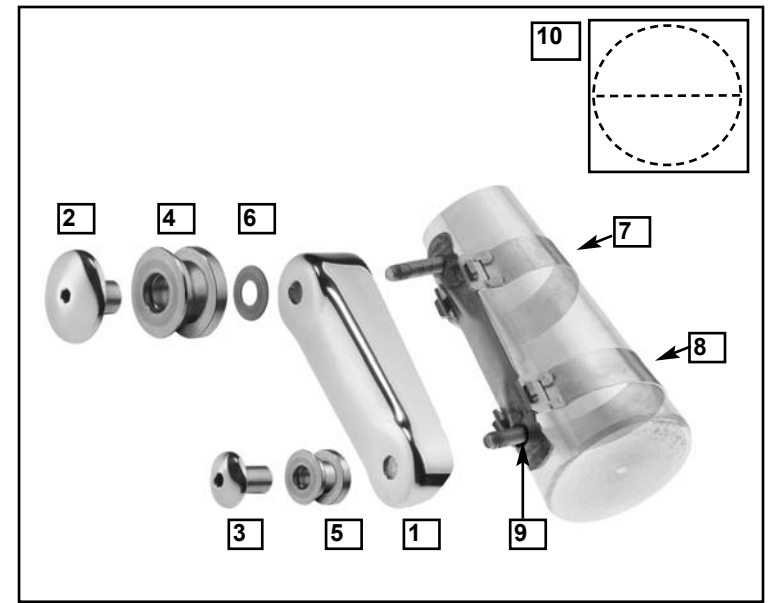


Figure 4

PARTS LIST FOR KITS Q201, Q202, Q203, Q204 AND Q205

| KIT | MOUNT CUP | BAG# 522 | BAG# 525 | BAG# 526 | BAG# 527 | BAG# 528 |
|------|---------------------|-------------|-------------|-------------|-------------|-------------|
| Q201 | 37-379203-000 Qty.2 | Qty. 1 | Qty. 1 | | | |
| Q202 | 37-379202-000 Qty.2 | Qty. 1 | | Qty. 1 | | |
| Q203 | 37-379203-000 Qty.2 | Qty. 1 | Qty. 1 | | | |
| Q204 | 37-379204-000 Qty.2 | Qty. 1 | | | Qty. 1 | |
| Q205 | 37-379205-000 Qty.2 | Qty. 1 | | | | Qty. 1 |



| INDEX | DESCRIPTION | QTY. |
|----------------|--|-------------|
| 1 | Mount Cup See Chart above | 2 |
| BAG 522 | | |
| 2 | 34-340501-000 Nut, Upper, QS4, Polished | 2 |
| 3 | 34-340502-000 Nut, Lower, QS4, Polished | 2 |
| 4 | 34-340510-000 Spool, Upper, QS4, Assembled | 2 |
| 5 | 34-340512-000 Spool, Lower, QS4, Plain | 2 |
| 6 | 49-490414-000 Washer, Brass | 2 |
| BAG 525 | | |
| 7 | 37-370172-000 Clamp Strap, QS4, Top | 2 |
| 8 | 37-370173-000 Clamp Strap QS4, Bottom | 2 |
| 9 | 37-370162-TL0 Spider, QS4 w/ Thread Locker | 2 |
| 10 | 75-766017-000 Burr Barrier | 1 circle |
| | divided 2 pcs | |

| INDEX | DESCRIPTION | QTY. |
|----------------|--|-------------|
| BAG 526 | | |
| 7 | 37-370178-000 Clamp Strap, QS4, Top | 2 |
| 8 | 37-370177-000 Clamp Strap QS4, Bottom | 2 |
| 9 | 37-370162-TL0 Spider, QS4 w/ Thread Locker | 2 |
| 10 | 75-766017-000 Burr Barrier | 1 circle |
| | divided 2 pcs | |
| BAG 527 | | |
| 7 | 37-370172-000 Clamp Strap, QS4 Top | 2 |
| 8 | 37-370177-000 Clamp Strap QS4, Bottom | 2 |
| 9 | 37-370162-TL0 Spider, QS4 w/ Thread Locker | 2 |
| 10 | 75-766017-000 Burr Barrier | 1 circle |
| | divided 2 pcs | |
| BAG 528 | | |
| 7 | 37-370174-000 Clamp Strap, QS4, Top | 2 |
| 8 | 37-370175-000 Clamp Strap QS4, Bottom | 2 |
| 9 | 37-370162-TL0 Spider, QS4 w/ Thread Locker | 2 |
| 10 | 75-766017-000 Burr Barrier | 1 circle |
| | divided 2 pcs | |