
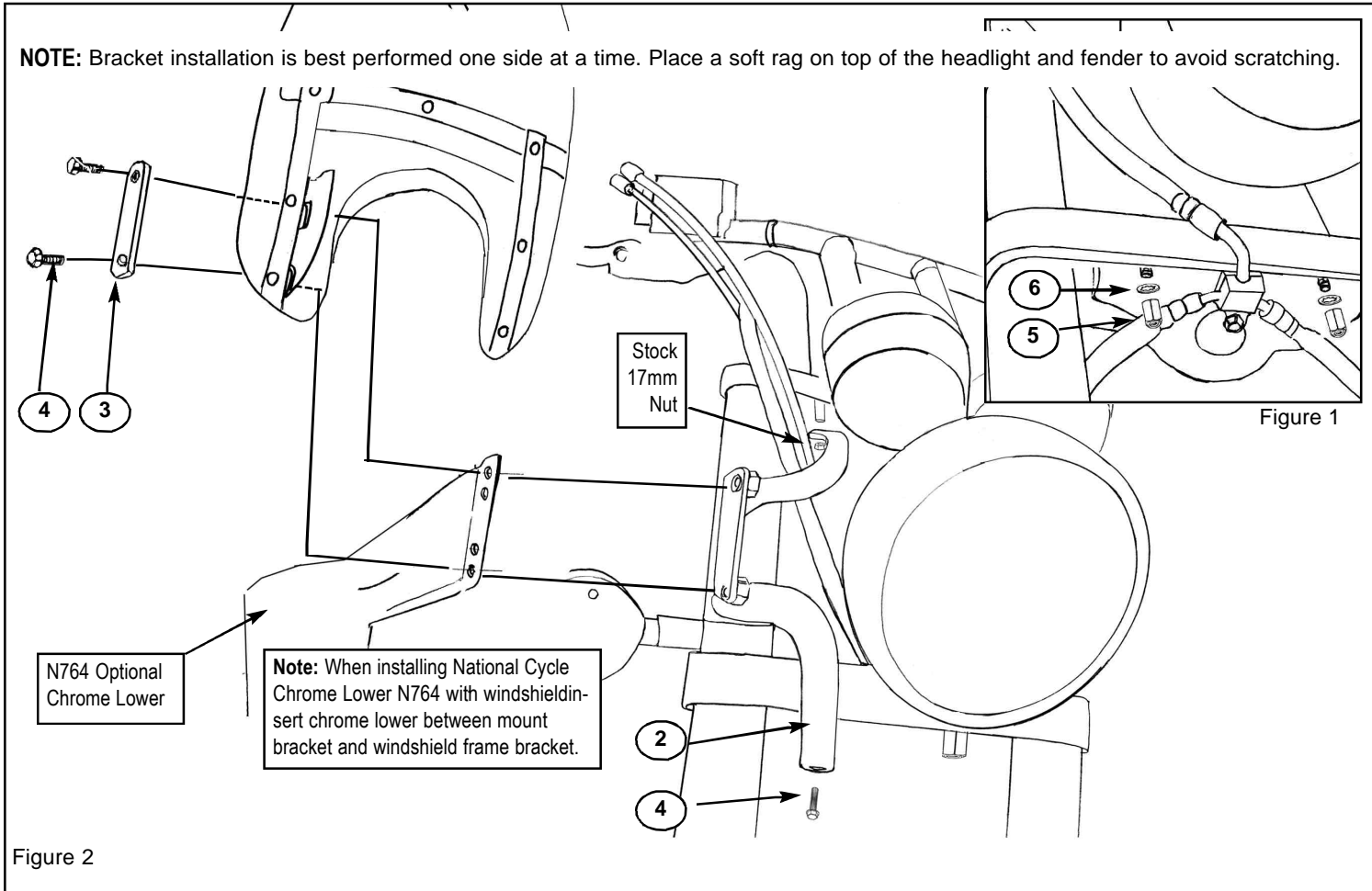


**PARTS LIST**

INDEX	DESCRIPTION		QTY.	
1	37-370632	Mount Bracket, Left	1	
2	37-370633	Mount Bracket, Right	1	
<b>BAG 383</b>				
3	37-410507	Washer Plate	2	3/8" Ratchet and 3/8" x 3" Extension
4	51-515720	Screw, Hex M8 x 20	6	12mm Socket
5	42-420001	Coupling Nut	2	Hex Key Wrench, 6mm
6	49-492211	Internal Lock Washer	2	Wrench, 5/8" or 16mm
				Wrench, 17mm


**MOUNT BRACKET INSTALLATION**

1. Remove two headlight bracket nuts (12mm socket and 3" extension) from bottom side of lower triple tree - will not re-use.
2. Substitute the two nuts with two Lock Washers (on top) and two Hex Coupling Nuts from Bag 383 - torque to manufacturer's specifications (12mm socket / 3" extension.) Figure 1.
3. Remove right side handlebar riser nut (17mm) and set aside (17mm Wrench.)
4. Place right Mount Bracket so the handlebar riser stud slides through the hole in the upper flat and the hole in the lower flat lines up with the Coupling Nut. Be careful when sliding in bracket and avoid scratching the forks. Position bracket so there is no interference with brake lines, clutch lines and throttle cables.
5. Re-install the handlebar riser nut (from step 3) securing upper Mount Bracket flat - do not fully tighten.
6. Install a M8 X 20 bolt through Mount Bracket into the Coupling Nut - do not fully tighten.
7. Repeat steps 3 through 6 on left side.
8. To ease windshield installation leave Mount Brackets snug, but not fully tightened. The brackets will be fully torqued once windshield is correctly positioned.

## WINDSHIELD INSTALLATION

**Note:** If installing Chrome Lowers N764 with Windshield- refer to Figure 2.

**An assistant may be helpful during windshield installation.**

1. Put one M8 X 20 Socket Cap Bolt through top hole in each Washer Plate.
2. Hold Windshield in place at Mount Brackets.
3. Thread Bolt with Washer Plate, through Windshield Vertical Brackets and Spacer into nut on Mount Brackets, do this on each side of shield.
6. Thread bottom two M8x 20 Socket Cap Bolts through the lower holes of Washer Plate, through Windshield Vertical Brackets and into nut on Mount Brackets, do this on each side of shield.
7. Adjust location of windshield on Mount Brackets to desired height and angle. If required adjust the adjusting window per provided instructions at the bottom of page 2.
8. Tighten all M8 Socket Cap Bolts to 15 foot/pounds torque (6mm hex wrench) and handlebar riser nuts to manufacturer's specification.

## Warning / Caution / Maintenance

**WARNING** National Cycle windshields and fairings are designed to provide wind protection and increased riding comfort, but not protection in the event of a collision with another vehicle, the road, birds, or any other object.

Our products utilize certain features, patented and otherwise, that may minimize injury in certain accidents, but the possibility of injury exists if the screen is broken or if impacted by an object. Always wear eye protection, helmets and protective clothing. Never ride your motorcycle while under the influence of drugs or alcohol.

All of our products are made in conformance and exceed the requirements of D.O.T. SS205,Z26.1, classifications AS6 and AS7, which covers all safety glazing for motorcycle application. Never ride your motorcycle with loose windshield mounting hardware. Check the hardware for tightness regularly.

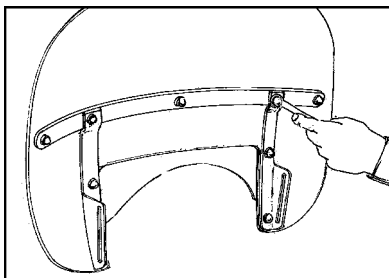
Today's motorcycles are built with enough frame rigidity to withstand the moderate loads imposed on them by the foreseeable addition of a fork mounted windshield. If the addition of an accessory(ies) adversely affects your motorcycle's stability, immediately remove the accessory(ies). Do not ride a motorcycle that exhibits unsafe handling traits.

Have experienced service personnel correct any problem before riding with the accessory(ies) installed. For further questions concerning handling problems associated with an accessory(ies), contact your dealer, motorcycle manufacturer, or accessory manufacturer.

**MAINTENANCE** To clean the screen, wash with a clean soft cloth, plenty of warm water and, if necessary, a non-abrasive soap such as dishwashing liquid. Flannel or soft chamois make good cleaning cloths. Paint, glue residue or grease removal: Moisten cotton with Naphtha or Turpentine followed by a wash as above. Apply a high quality plastic cleaner, such as McGuiar's Mirror-Glaze MG-17 or Novus #2, to the screen. This will leave a protective coating in the screen making future cleanings easier. Do not clean polycarbonate in hot sun or high temperatures.

Do not clean the screen with glass cleaners. Do not use rain protective products on the screen. The solvent action of the alcohol in these products will destroy the screen. Do not allow brake fluid, alcohol, or strong solvents to contact the screen or penetrate between the chrome brackets as permanent damage will result! To remove fine scratches, use a very soft clean cloth and a fine grade buffing compound. Jewelers rouge or McGuiar's Mirror-Glaze MG-10 are best for this type of buffing. We recommend hand buffing.

**STORAGE** Do not use low quality vinyl covers or old shower curtains to store your motorcycle or windshield. These products damage the plastic of windshields and the motorcycle body.



### Optional adjustment of the window.

The adjustable window is easily adjusted or changed in all National Cycle Heavy Duty Windshields. Loosen the 6 cap nuts on the vertical chrome strips. Replace or adjust the window. Tighten cap nuts to 2ft. lbs. (2.7 Nm), torque pressure.

National Cycle puts everything within reach.

Find out more about windshields & fairings we have.