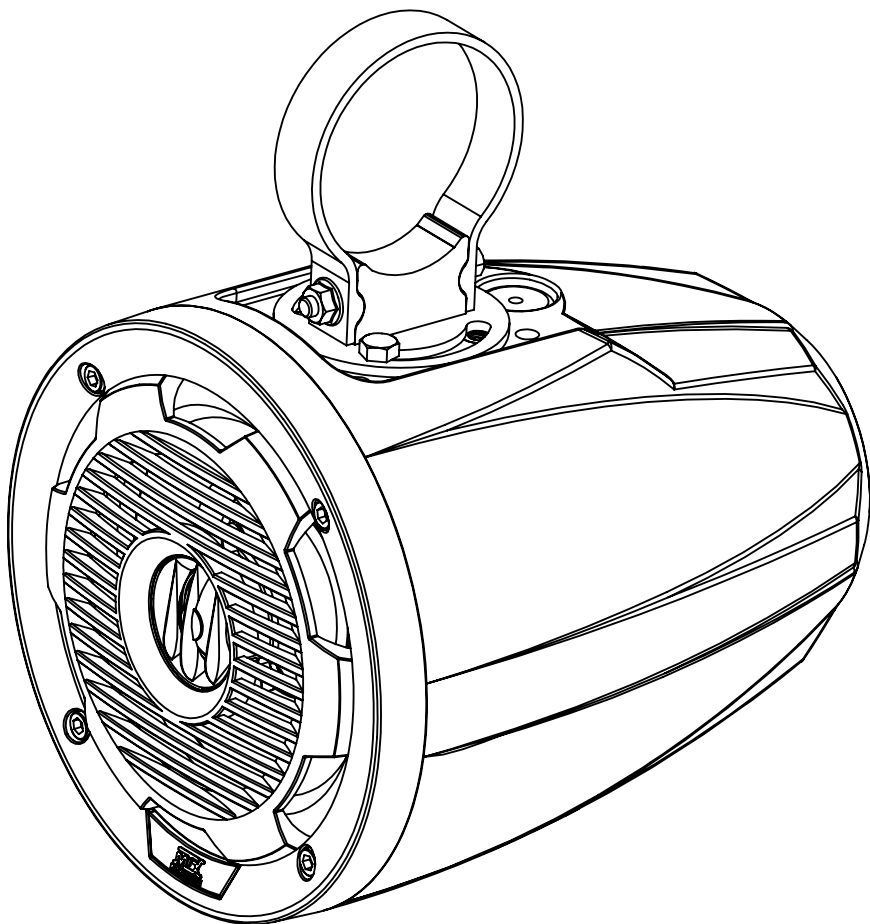




**THUNDER**  
MARINE™



**WET65T**  
**TOWER SPEAKER**  
**OWNER'S MANUAL**

## **IN THE BOX**

- Speaker and Enclosure
- Brackets
  - For mounting the bracket base to the enclosure
    - (8) M6-1.0x14mm stainless steel Hex Bolt
    - (8) M6 flat washer stainless steel
    - (8) M6 split lock washer stainless steel
  - For tightening the bracket strap to the base
    - (2) M6-1.0x50mm stainless steel Hex Bolt
    - (2) M6 serrated flange lock nut stainless steel

## **INTRODUCTION**

Thank you for purchasing this MTX Audio tower speaker pod. This high performance speaker features all-weather construction designed to deliver exceptional sound quality and volume for high output systems for those that love to hear their music wherever they are. Congratulations and enjoy the ultimate audio experience with MTX!

## **FEATURES**

- Weather Resistant Enclosure
- Fits 2¼", 2¾", 2½" and 3" Bars
- Polypropylene Woofer and 1" Soft Dome Tweeter
- ABS Impact Resistance Grille with UV Inhibitor
- Tested 500 hrs to ASTM B117, D4329 Standard
- Internal Crossover Network

## **SPECIFICATIONS**

RMS Power Handling: 75-Watts

Peak Power Handling: 150-Watts

Sensitivity (2.83V / 1m): 91.6dB

Sensitivity (1W / 1m): 87.3dB

Frequency Response: 60Hz - 20kHz

Impedance: 4Ω

Fits Bars 2¼", 2¾", 2½", 3"

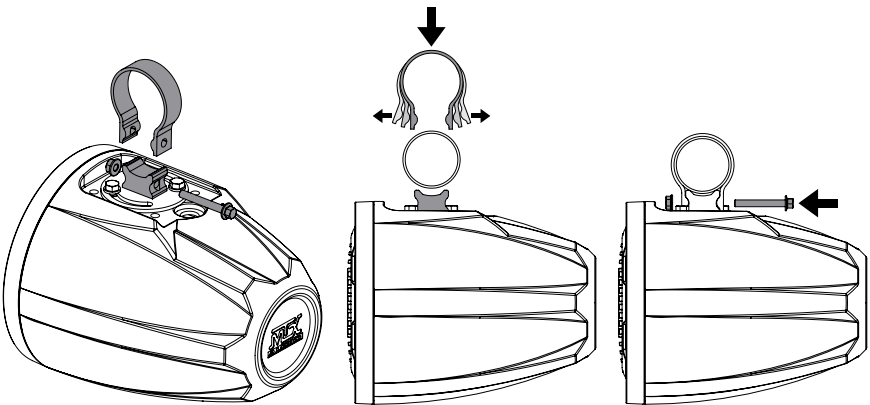
## **WIRE COLOR**

Grey / Black +/- speaker wire

## **INSTALLATION**

1. Choose appropriate bracket clamp, 2¼", 2⅝", 2½" and 3", for the application.
2. Attach bracket base to enclosure at desired angle using a minimum of two (2) M6-1.0x14mm Hex bolts and M6 lock washers. If only two bolts are used, ensure there is a bolt on each side of the round base for secure mounting.
3. Slide bracket clamp over pipe or bar at desired mounting location.
4. Hold the enclosure in place where the base fits in the open section of the clamp. Then place the M6-1.0x50mm Hex bolt through making sure the threads are towards the front of the enclosure. See Figure 1.
5. Tighten the M6 serrated nut on to the bolt until the bracket is tight. The nut is serrated and will lock in place. The speaker will not rotate on the bar it is mounted on when these are fully tightened.
6. Adjust and tighten the bolts to the desired position making sure to use a minimum of two bolts. Depending on the position of the speaker only two (2) insertion points will be usable.
7. Attach the MTX badge to the rear recess of the enclosure with the included double stick tape.
8. Connect the speaker wires to your amplifier ensuring correct polarity +/+ and -/-.

Figure 1





The bracket base can rotate in any direction desired, a minimum of 2 bolts must be used, 1 on each side.

