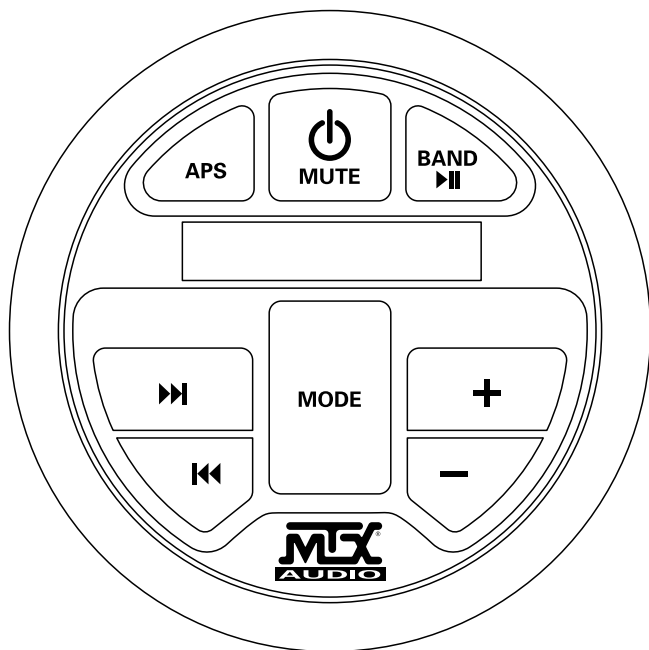
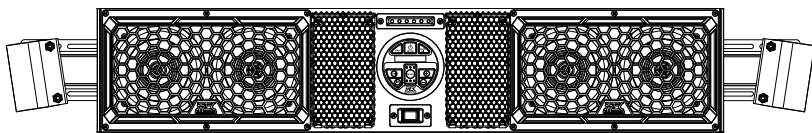




THUNDER
SPORTS™



OWNER'S MANUAL
MUDSYS31 / MUDSYS41 / MUDSYS46
BLUETOOTH OVERHEAD AUDIO SYSTEMS



IMPORTANT NOTICE

Installation of overhead products requires careful planning and preparation.

When connecting power and ground wires ensure that the yellow power wire is fused at the point where it is connected to the vehicle's battery. Failure to do so can result in damage to the vehicle if a short circuit develops between the vehicle connection point and the product.

WARNINGS

- Clean the unit with a damp soft cloth, using a non-abrasive cleaner.
- Do not use solvents such as benzene, thinner as they will damage the finish and operation of the unit.
- Remember to leave the dome light switch in the off position when the vehicle is unattended, as the dome lights, if left on, can drain the vehicle's battery.

IN THE BOX

- Bluetooth Overhead Audio System
- In-Line 15A Fuse and Fuse Holder
- Installation Cables (Power/Ground/Accessory) 3 Meter
- Ring Terminal (2)
- Butt Connector (1)
- Rubber Inserts 100mm x 120mm (2)

INTRODUCTION

Thank you for purchasing this MTX Audio Bluetooth Overhead Audio System that is designed to deliver exceptional quality music to your off road vehicle. This easy to install and use all in one unit is capable of withstanding the wind, sun, rain, and more ensuring that you can enjoy it wherever life takes you. They are designed to fit a variety of ORV make and models that use factory roll cages. Congratulations and enjoy the ultimate audio experience with MTX!

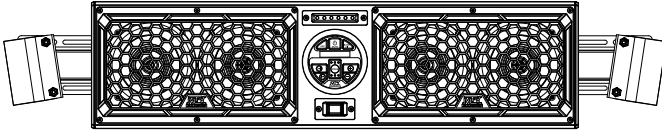
FEATURES

- Four 6.5" All-Weather Coaxial Speakers
- Source Unit
 - Integrated 280-Watt Peak Power Amplifier
 - AM / FM Radio - USA and European Radio Frequency
 - Inputs - Bluetooth 2.0, 3.5mm Auxiliary, & USB (External Memory Stick)
 - RCA Output
 - Clock
- Integrated Wiring Harness (Power, Ground, Accessory, and 12V Remote Turn On Output)
- Storage Cargo Nets (Excludes MUDSYS31)
- Overhead LED Dome Light

MODELS

MUDSYS31

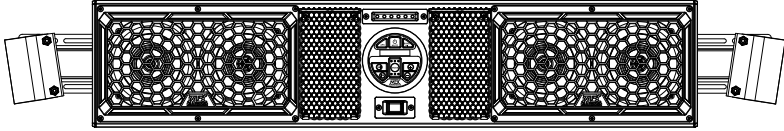
Fits Roll Cages 32.25" to 38.75" Wide (Inside Roll Bar Measurement)



Physical Dimensions - 8.5" (216mm)H x 4.125" (105mm)D x 29.92" (760mm)W

MUDSYS41

Fits Roll Cages 43.0" to 49.0" Wide (Inside Roll Bar Measurement)



Physical Dimensions - 8.5" (216mm)H x 4.125" (105mm)D x 40.5" (1029mm)W

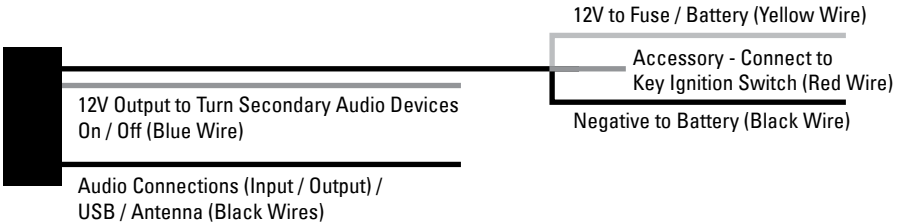
MUDSYS46

Fits Roll Cages 49.25" to 56" Wide (Inside Roll Bar Measurement)

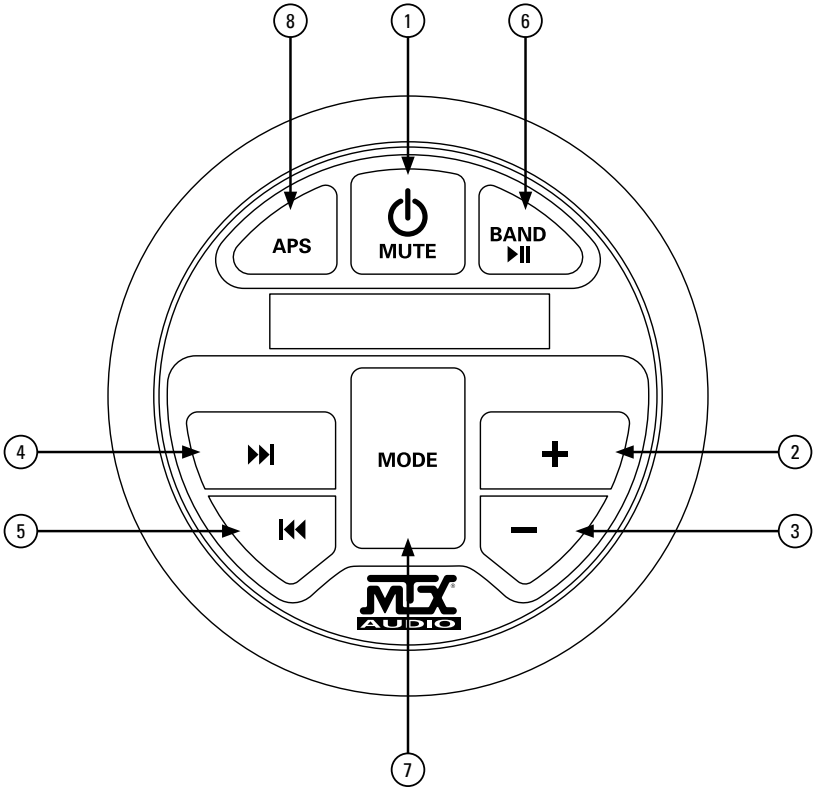


Physical Dimensions - 8.5" (216mm)H x 4.125" (105mm)D x 46.813" (1189mm)W

WIRING DIAGRAM



SOURCE UNIT BUTTON LAYOUT



1. Power / Mute Button - Press the button to turn power On. When the power is On, press the button to mute the audio output. Press and hold the button to turn power Off.
2. + Button - Press the button to increase the volume.
3. - Button - Press this button to decrease the volume.
4. ►► Button - Press the button to play the next track. Press and hold to tune the radio frequency.
5. ◀◀ Button - Press the button to play the previous track. Press and hold to tune the radio frequency.
6. Band / ►► Button - Press button in radio mode to switch between AM and FM. Press button in USB mode to play and pause.
7. Mode Button - Press button to switch between radio, Bluetooth, USB, and AUX modes. Press and hold MODE button for 2 seconds and then press MODE button to cycle through settings menu that includes Bluetooth Pair/Bass/Treble/Balance/Fade/Loud/EQ/AREA USA-EUR/Time Mode. See "Settings Menu" section for operation.
8. APS Button (Auto Program Station) - Press to scan radio frequencies. Press and hold for 2 seconds to auto program the first six strongest stations received.

SETTINGS MENU

Press and hold the MODE button for 2 seconds and then press the MODE button to cycle through the settings menu.

- BT Pair - Use this function to pair a Bluetooth enabled device to the unit. Please see the “Bluetooth Operation” section for pairing instructions.
- Bass - Adjust the bass level using the +/- buttons. Range is -7 to +7, default setting is 0.
- Treble - Adjust the treble level using the +/- buttons. Range is -7 to +7, default setting is 0.
- Balance - Adjust the balance between the left and right speakers using the +/- buttons. The L7 setting diverts all audio to the left side only and R7 diverts all audio the right side only.
- Fader - The fader function will decrease the output from the entire system. This should not need to be adjusted.
- Loud - This turns the loudness control On and Off. The loudness will boost the low frequencies at low volumes.
- EQ - Use the +/- buttons to choose an EQ setting between, Flat, Classic, Pop, and Rock. Default setting is Rock.
- Area Tuning - Use the +/- buttons to select the appropriate AM/FM tuning band for your location between USA and European frequency.
- Time Format - Use the +/- buttons to select a time format between 12 and 24 hour styles.

AM/FM RADIO OPERATION

Press the Band button to select between AM and FM. Tap the APS button to scan to the next strongest station. Hold the APS button (2 second hold) to use the APS feature to auto program the stations. The APS will start to auto program from the current FM station the radio is tuned to. If using the APS feature with programmed stations, the ► / ◀ will scan through the preset stations. Press and hold the ► or ◀ button to enable manual tuning mode and use those same controls to scan through the preset stations. **Note:** Holding the ► or ◀ after the unit is in manual mode will scan quickly through the frequency band until the button is released.

BLUETOOTH OPERATION

This unit supports Bluetooth for wireless music streaming from Bluetooth enabled devices including iPhone® and Android® smartphones and tablets.

Connect to your device using the following steps:

- Press MODE for 2 seconds, BT PAIR will be displayed.
- Quickly release and then hold MODE for 2 more seconds and “Pairing” will be displayed.
- Select “MTX SOUNDBAR” from the list of available Bluetooth devices.
- The device will then pair to the unit.

Note: Some devices may require a pass code. Input passcode, “0000”, if prompted and the connection will automatically be made.

Bluetooth Audio function:

- The Track Forward and Track Back buttons can select the track playing on the device. Holding the Track Button for 2 seconds will scan through the music tracks on the device.
- The Play/Pause button will Play/Pause the music track playing on the device.

USB OPERATION

An external USB memory stick can be used to play music through the unit if desired. Insert a USB memory stick into the USB input connector. Using the “Mode” button select USB. The unit will read the mp3 files on the memory stick automatically. Press the ► or ◀ button to play the next/previous song. Press and hold the ► or ◀ for 2 seconds to fast forward/backward the selected song. Press the ► button to pause/resume the selected song. Phones and other devices will be charged when connected through USB.

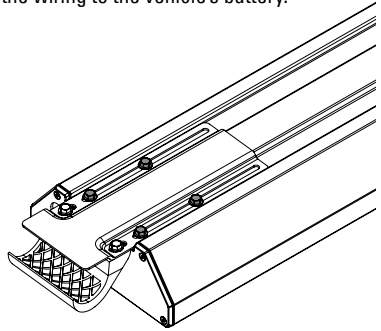
CLOCK OPERATION

Press and hold the "Band" button for 2 seconds to display the clock. When displayed, press and hold the "Band" button for 2 seconds until the hour number is flashing, then use the +/- buttons to adjust the hour. Once set to desired number, press the "Band" button again and the minutes number will flash. Use the same process to set the minutes to desired number.

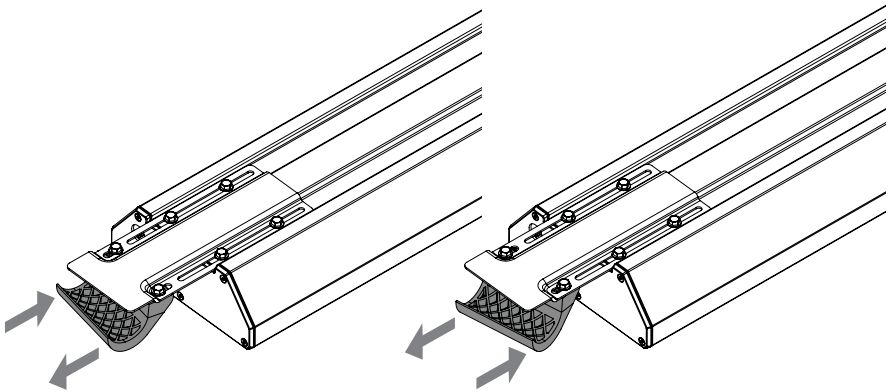
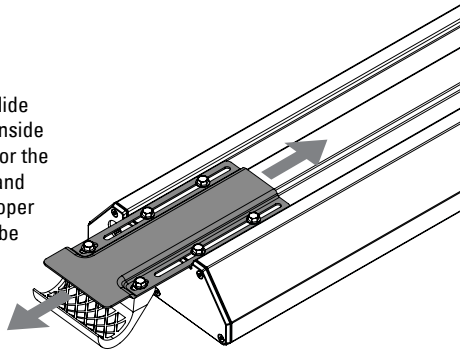
INSTALLATION

The MUDSYS31, MUDSYS41, and MUDSYS46 will mount to a variety of roll cages that have a diameter between 1.75" and 2". Installation is a two part process. Part one involves securely mounting the unit to the roll cage and part two involves connecting the wiring to the vehicle's battery.

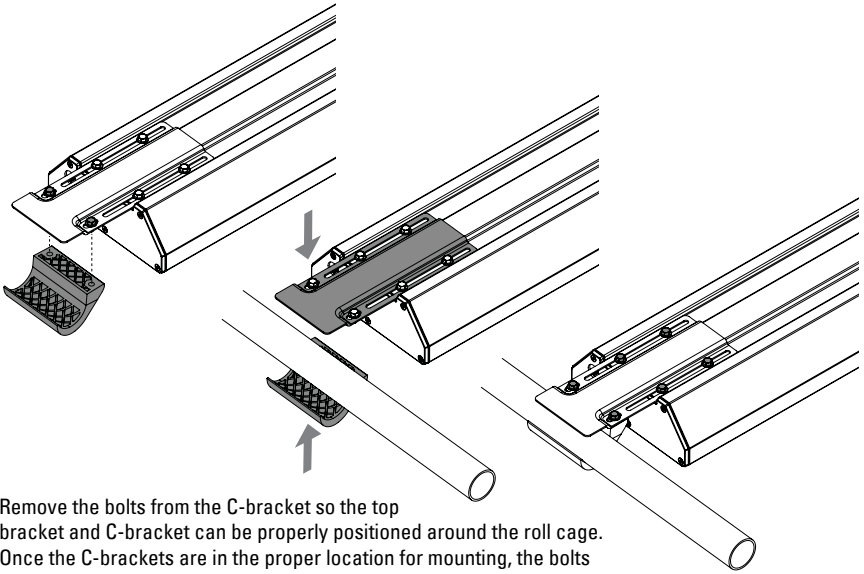
Each unit comes preassembled in the carton. Each end has a top side flat bracket and an underside C-clamp designed to lock the unit into place between the roll cage. Each top bracket has four (4) total bolts.



When the bolts are loosened, the bracket can slide to accommodate a variety of roll cages whose inside roll bar dimension is between 32.25" and 38.75" for the MUDSYS31, 43.0" and 49.0" for the MUDSYS41, and 49.25" and 56.0" for the MUDSYS46. Once the proper width has been established, these bolts should be retightened to a torque specification of 40-45 inch/lbs.

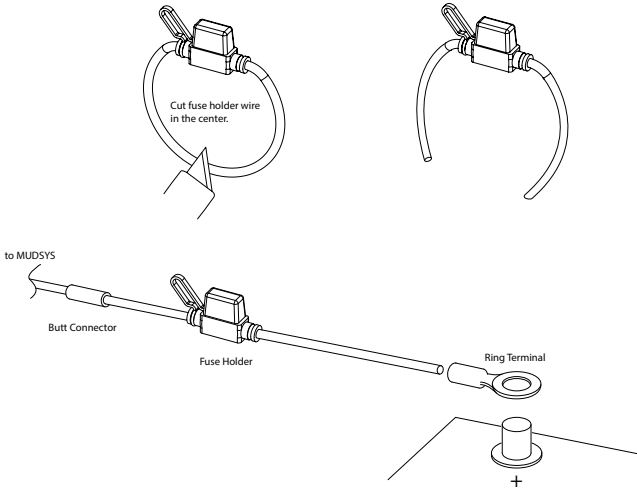


Each C-bracket has two (2) total bolts. These bolts can be loosened to adjust the clamp angle allowing it to mount to a variety of roll cages including those that are angled.



Remove the bolts from the C-bracket so the top bracket and C-bracket can be properly positioned around the roll cage. Once the C-brackets are in the proper location for mounting, the bolts should be retightened to a torque specification of 65-70 inch/lbs.

The unit has an integrated wiring harness that includes a power, ground, and accessory wire that are designed to connect to the vehicle's battery providing it power. The wiring harness is 3 meters but can be cut to fit the individual vehicle. The fused yellow loop should be cut at least 2" from the fuse holder and the short end should be coupled to the yellow power wire once it has been run to the area where the battery is located. The other end of the yellow wire is designed to be connected to the positive (+) terminal on the vehicle's battery using one of the included ring terminals. The included 15A fuse and fuse holder should be attached to the yellow wire no more than 18 inches from the battery to protect against damage or injury if a short in the wire were to occur. The black wire is designed to be connected to the negative (-) terminal on the vehicle's battery using the second included ring terminal. The red accessory wire needs to be connected to the accessory switch. This ensures that the unit powers on when the vehicle is On and powers Off when the vehicle is not being used.





TROUBLESHOOTING

Problem	Cause	Solution
No Power	Incorrect Wiring	Check Wiring to Ensure Connection without Shorts
	Blown Fuse	Replace Fuse
No Sound	Volume Is Too Low	Increase the Volume
	Output Blown	Call for Repair Assistance
No Radio Reception	The Antenna Cable is not Connected	Fully Insert the Antenna Cable
	The Signals Are Too Weak	Select a Station Manual
USB Stick Not Reading	Music File is Not Supported Format	Convert Music File to MP3
Aux Input or RCA Output Distortion	Volume Is Too High On External Device	Lower Volume on External Device
Media Device Does Not Work Through USB	USB Input Only Reads USB Memory Stick	Play Media Device Through Auxiliary Input

This equipment has been tested and found to comply with the limits for a Class B digital device, pursuant to Part 15 of the FCC rules. These limits are designed to provide reasonable protection against harmful interference in a residential installation. This equipment generates, uses, and can radiate radio frequency energy and, if not installed and used in accordance with the instructions, may cause harmful interference to radio communications. However, there is no guarantee that interference will not occur in a particular installation. If this equipment does cause harmful interference to radio or television reception, which can be determined by turning the equipment off and on, you are encouraged to try to correct the interference by one or more of the following measures:

- Reorient or relocate the receiving antenna.
- Increase the separation between the equipment and receiver.
- Connect the equipment to an outlet on a different circuit than the one to which the receiver is connected.
- Consult the dealer or an experienced radio/TV technician for help.

Changes or modifications not expressly approved by Mitek Corporation could void the user's authority to operate this equipment. This device complies with part 15 of the FCC Rules. Operation is subject to the following two conditions: (1) This device may not cause harmful interference, and (2) this device must accept any interference received, including interference that may cause undesired operation