



INSTALLATION INSTRUCTIONS

**KAWASAKI
Z900 2017-**

plate holder

INSTALLATION INSTRUCTIONS

Plate holder

Thank you for buying a MRA Windshield.

Read this manual carefully and check the parts list for completeness before you begin. We recommend that you have your screen fitted by an authorised workshop.

Number	Article	Article No..	Required tools
1	Adapter plate	11319	Allen key 2.5, 3, 4 mm Spanner 7, 8 mm Wrench 6 mm Flat-head screwdriver
1	Base plate	11305	
1	Reflector mounting	11314	
2	Indicator brackets	11315	
1	LED number plate light with two cross head screws	11289	
1	reflector, rectangular with 2 nuts	11290	
2	Allen screws with flange, M6 x 10 mm	11291	
2	Allen screws with flange, M5 x 8 mm	11292	
2	Allen screws with flange, M4 x 8 mm	10562	
2	stop nuts, black, M4	10772	
2	stop nuts, black, M5	11000	
2	washers, black, 5.3 mm	10999	
2	washers, 13 x 6 x 0.5 mm	10669	
2	plastic washers, 12 x 5 mm	10635	
4	Flat-head screws, M6 x 16	10668	
4	Washer 15 x 6 x 1.1 mm	11050	
4	Stop nuts, M6, silver	10871	

General notes

Always follow the instructions in your motorcycle manual while working on or making alterations to your motorcycle. Stand your motorcycle up on a level surface, and make sure that it is safe from falling over. We recommend that you label each of the electrical connections before disconnecting them. Reuse original connectors if possible. Subsequent alterations by welding, soldering, bending, or drilling, or improper installation will result in loss of guarantee. Use the original screws for installation unless stated otherwise.

Plate holder installation instructions:

A) Removal of the original plate holder

1. Remove the seat and the rear seat cushion.
2. Disconnect the vehicle's battery.
3. Tip: mark the electrical connections appropriately before detaching the connectors for the plate light and indicators. The connectors can then be detached and removed. Remove the plate, followed by the original plate holder as described in the workshop manual.

B) Installation of the MRA plate holder

4. Install the MRA adapter plate on the base plate using the M6 x 10 mm Allen screws with flange and the 6 mm plastic washers (please do not tighten the screws fully yet).
5. Install the M4 x 8 mm Allen screws and the M4 stop nuts at the plate holder (see illustrations). Do not tighten the screws fully yet.

Install the indicator brackets at the plate holder using the M5 x 8 mm Allen screws with flange and the 5 mm plastic washers. Align the indicator brackets with your number plate and tighten the screws fully (P1).

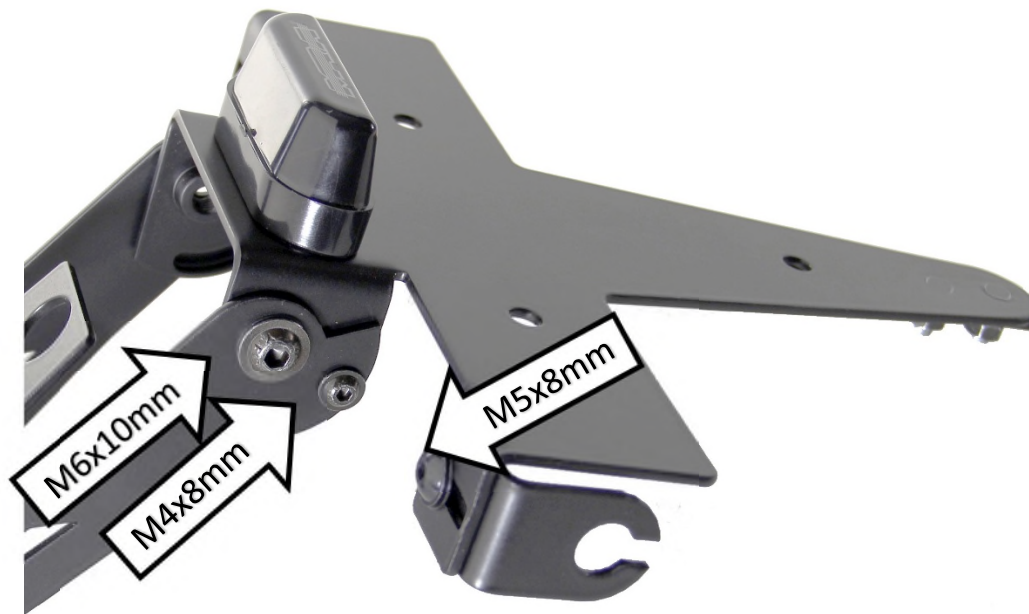
6. Install the reflector at the mounting bracket. Install the bracket for the reflector with the 5 mm stop nuts and the 5 mm washers at the plate holder; align reflectors and indicator brackets with your number plate and tighten the nuts and screws. Install the number plate light on the plate holder using the two cross head screws (P3+P4).

C) Installation of the MRA plate holder on the motorcycle

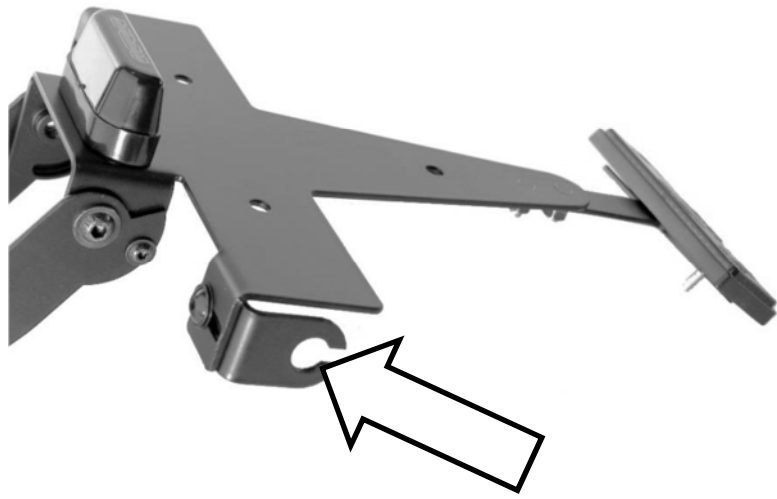
7. Install the MRA plate holder with the 4 provided Allen screws, the washers and M6 nuts at the vehicle and tighten the screws.
8. Adjust the angle of inclination for the plate holder. ! The adjustment angle may not exceed **30°** to the vertical.
9. Tighten the M5 and M4 Allen screws.
10. Install the indicators at the plate holder. As an option, any additional accessory indicators can now be installed (not included in the scope of delivery).
11. Now connect the electrical cables for the plate light and indicators.
! All electrical wiring must be properly insulated and fixed with cable ties such that it cannot be squashed and no short circuits can occur.
12. You can now reattach the battery and then check the functioning of the lights.
13. The disassembled components can now be reattached in reverse order.
14. Finally, reinstall the license plate, the seat cushion and the seat.
After completion of work, please check all screws and components for tightness and proper function.

Important note: If you have a EURO 4 model, you will need to replace any reflectors originally mounted onto the old registration plate holder when installing your new registration plate holder. You may mount the replacements on another part of your bike, such as on the forks.

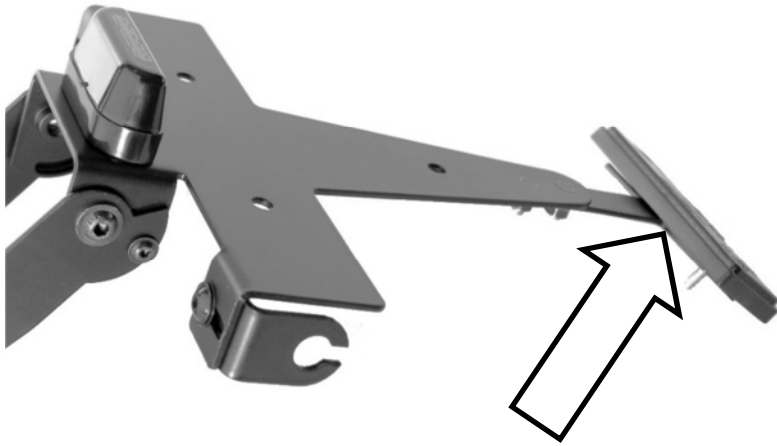
Check that the screws are still tight and tighten them again if needed after installation, and repeat at intervals after that.



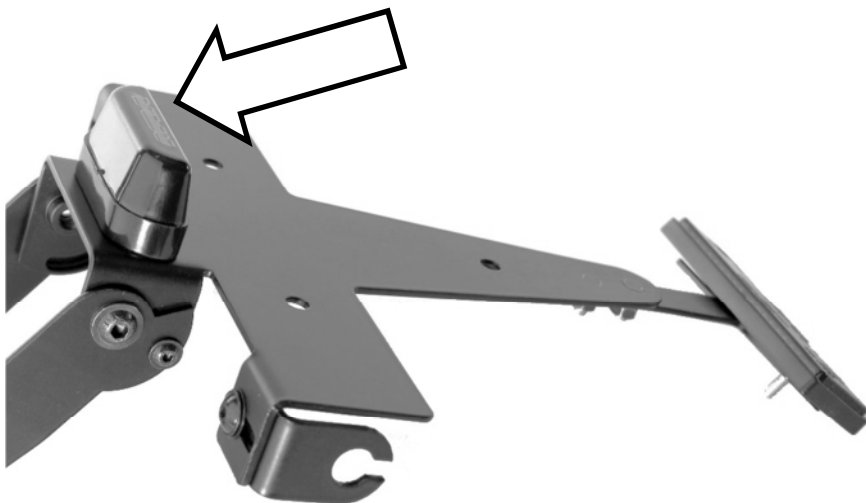
P 1



P 2



P 3



P 4



P 5



INSTALLATION INSTRUCTIONS

KAWASAKI Z900 2017-

© by MRA-Klement GmbH – 4/2017 4025066159833

INSTALLATION INSTRUCTIONS

Kawasaki Z900 17-

Thank you for buying a MRA Windshield.

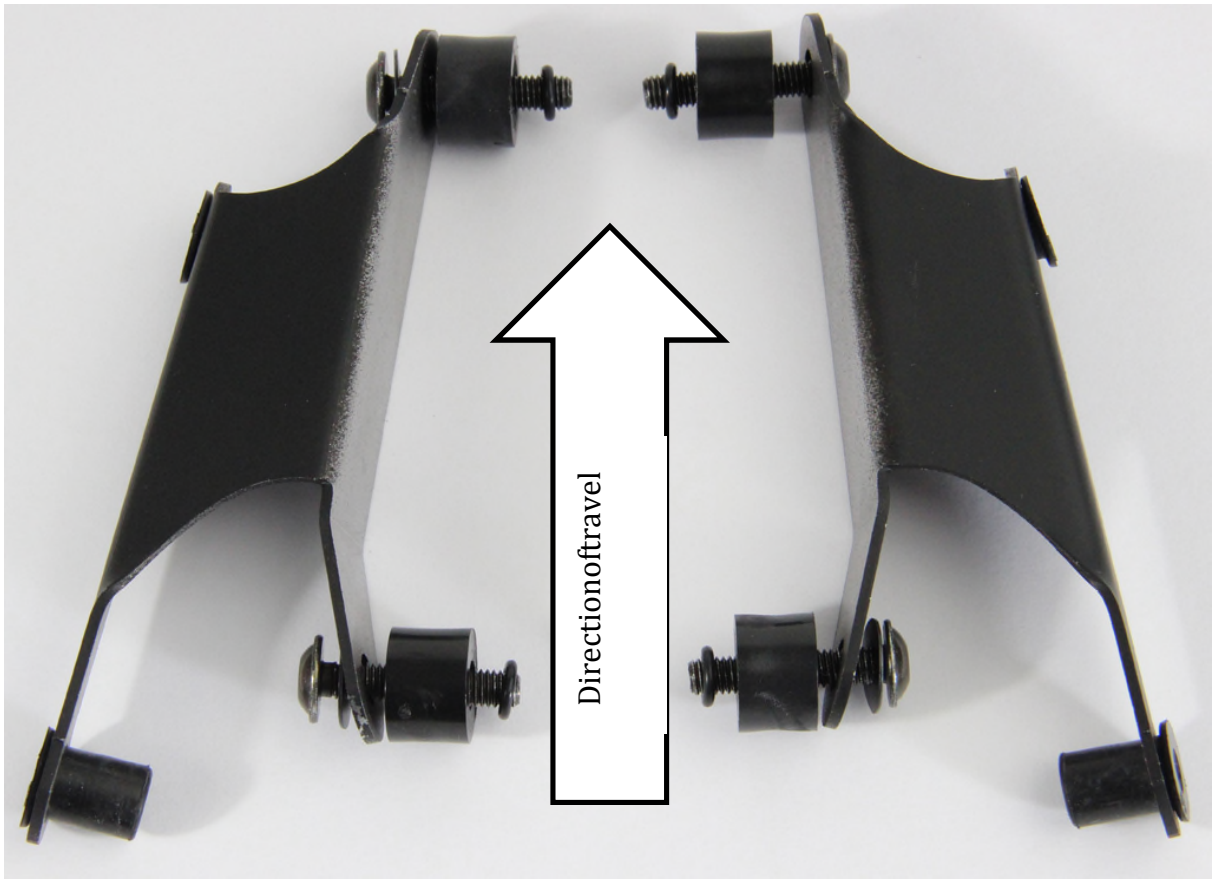
Read this manual carefully and check the parts list for completeness before you begin. We recommend that you have your screen fitted by an authorised workshop.

Number	Article	Article No..	Required tools
1	MRA screen	---	Allen keys, 3 and 4 mm
1	Brackets, 1 pair	11242	
4	Oval head screws, M5 x 25 mm	10641	
4	Spacers, 10 mm	10633	
4	Neoprene washers	10635	
4	O-rings, black, 4.5 x 1.5 mm	10992	
4	Rubber nuts	10629	
1	Edge protection strip with end sleeves	---	

How to mount the screen on your motorbike:

1. Stand your motorbike up on a level surface.
2. Dismantle the original screen.
3. Insert the M5 x 25 mm screws and neoprene washers, spacers and O-rings into the brackets (P1).
4. Mount the brackets onto your bike (P2).
5. Insert the rubber nuts through the brackets (P2).
6. Mount your MRA screen onto the brackets using the screws from the original screen.
7. Slide the edge protector strip onto the exposed rear edge of the screen, starting where the screen meets the fairing and ending on the other side of the screen. Cut any overhang off.
8. Slide the end sleeves over the end of the edge protector strip and gently squeeze the sleeves with a pair of pliers to secure the edge protector strip.

After installation, check that all of the screws are tight; tighten them up if necessary. Repeat this at regular intervals. Clean the screen with water, neutral soap and a sponge. Do not use solvents, alcohol or spirits to clean the screen as they will damage it.



P 1



P 2



P 3