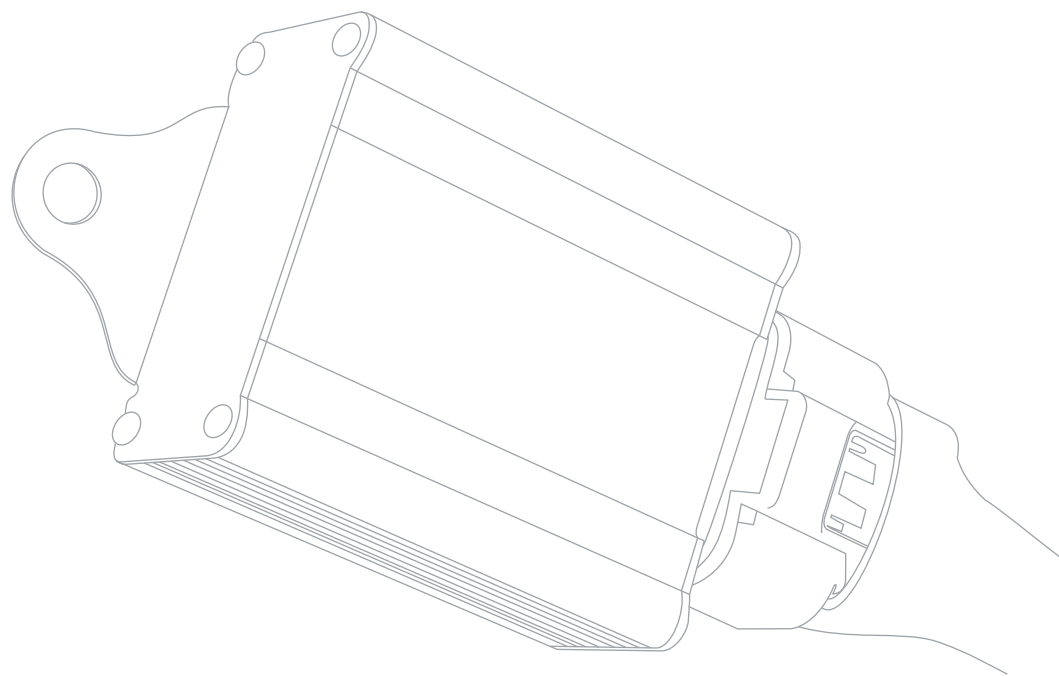




THE AUTOMOTIVE LIGHTING BENCHMARK



INSTALLATION GUIDE

# MOTOCONTROL BI-XENON HARNESS





**WARNING:** By reading this document, I agree it is only to be used as an educational guide. Morimoto Lighting makes no guarantee on any finished results, nor are they to be held responsible for any damage, misuse, or personal injuries. Use at your own risk. If you are unable to clearly understand and adapt the information below to your own application, professional installation is recommended.

## TABLE OF CONTENTS

---

SYSTEM DIAGRAM	P.3
HARNESS INSTALLATION	P.4

## STANDARD PARTS

---



1X MOTOCONTROL HARNESS

## SPECIAL NOTE

---



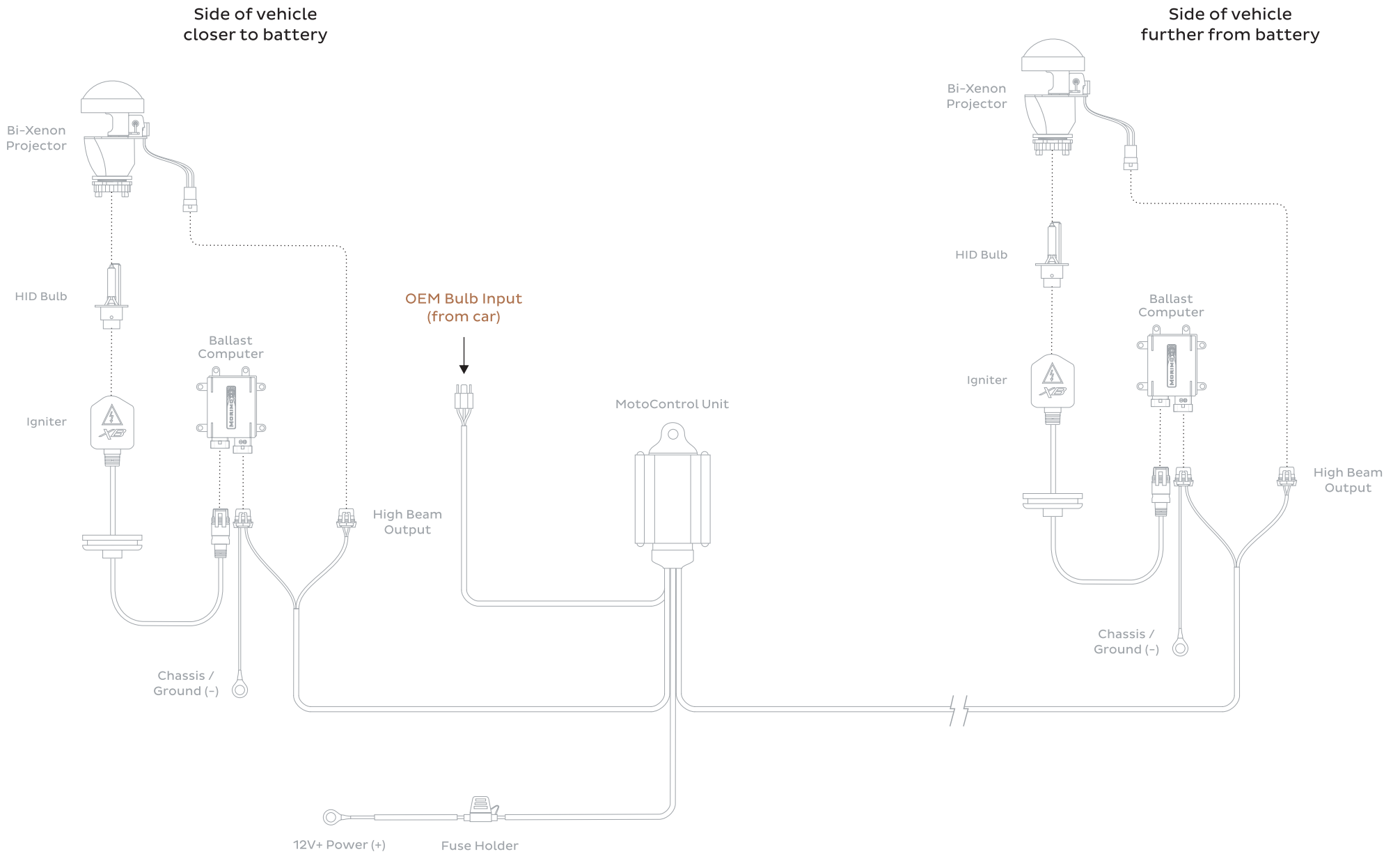
The MotoControl harness is not designed to eliminate a “bulb out” error if your vehicle is so equipped. There are other harness options available designed specifically for applicable vehicles. Consult your Authorized Morimoto dealer for further information and recommendations.

## SYSTEM DIAGRAMS

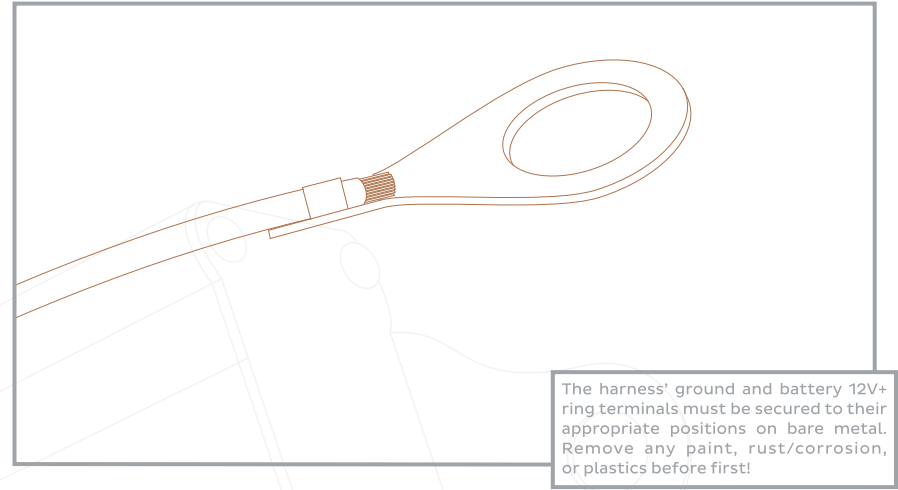
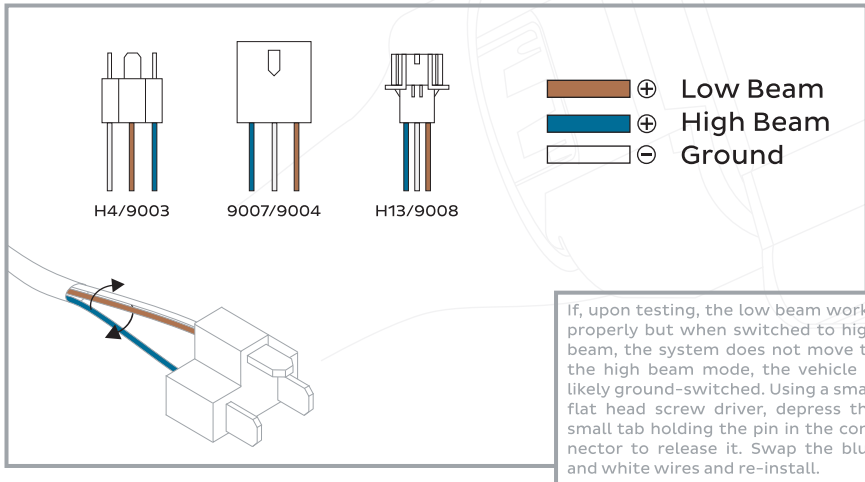
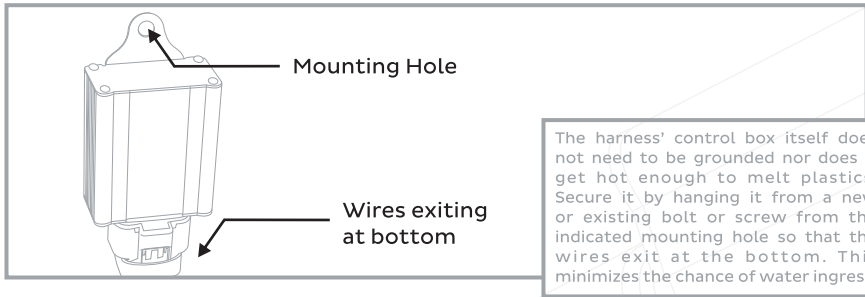
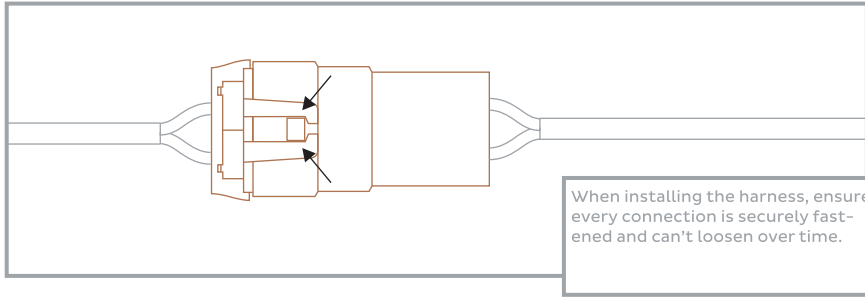
---



**NOTE:** System diagrams are to be used for reference purposes only. If you are unsure of the installation procedure for any individual part, review its install procedure prior to proceeding.



# HARNESS INSTALLATION



-END-