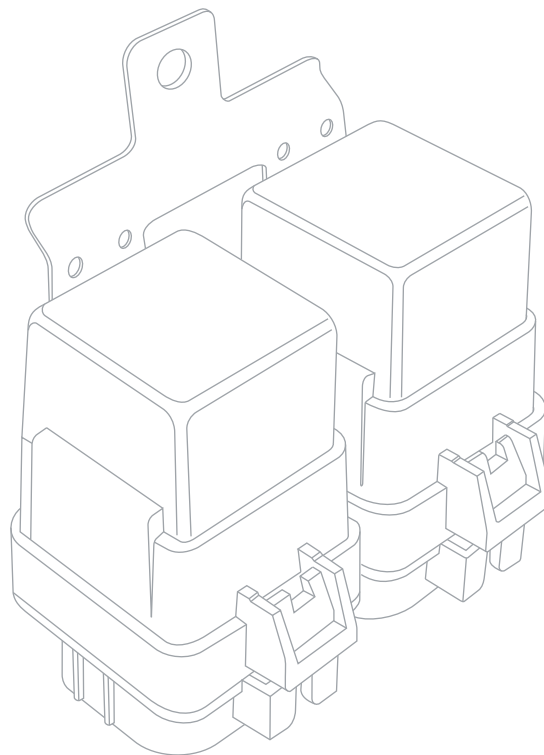




THE AUTOMOTIVE LIGHTING BENCHMARK



INSTALLATION GUIDE

HD RELAY HARNESS



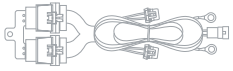


WARNING: By reading this document, I agree it is only to be used as an educational guide. Morimoto Lighting makes no guarantee on any finished results, nor are they to be held responsible for any damage, misuse, or personal injuries. Use at your own risk. If you are unable to clearly understand and adapt the information below to your own application, professional installation is recommended.

TABLE OF CONTENTS

| | |
|----------------------|------|
| SYSTEM DIAGRAM | P. 2 |
| EXTERNALLY WIRED | P. 3 |
| INTERNALLY WIRED | P. 4 |
| HARNESS INSTALLATION | P. 5 |

STANDARD PARTS



1 X HD RELAY HARNESS

OPTIONAL PARTS



CAPACITOR LINK

SPECIAL NOTE



The HD Relay harness is not designed to eliminate a “bulb out” error if your vehicle is so equipped. There are other harness options available designed specifically for applicable vehicles. Consult your Authorized Morimoto dealer for further information and recommendations.

SYSTEM DIAGRAMS



NOTE: System diagrams are to be used for reference purposes only. If you are unsure of the installation procedure for any individual part, review its install procedure prior to proceeding.

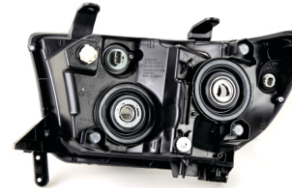
IDENTIFYING YOUR INSTALLATION TYPE



NOTE: There are two types of wiring installation using this harness: **EXTERNALLY-WIRED** and **INTERNALLY-WIRED**. The installation diagrams that follow will cover both install types.

EXTERNALLY-WIRED

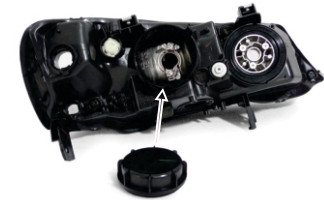
Separate low and high beam bulbs; When you can access the bulb from the back of the headlight without removing any caps or covers. Wiring for the bulb is visible and accessible outside of the housing.



Proceed to P.3

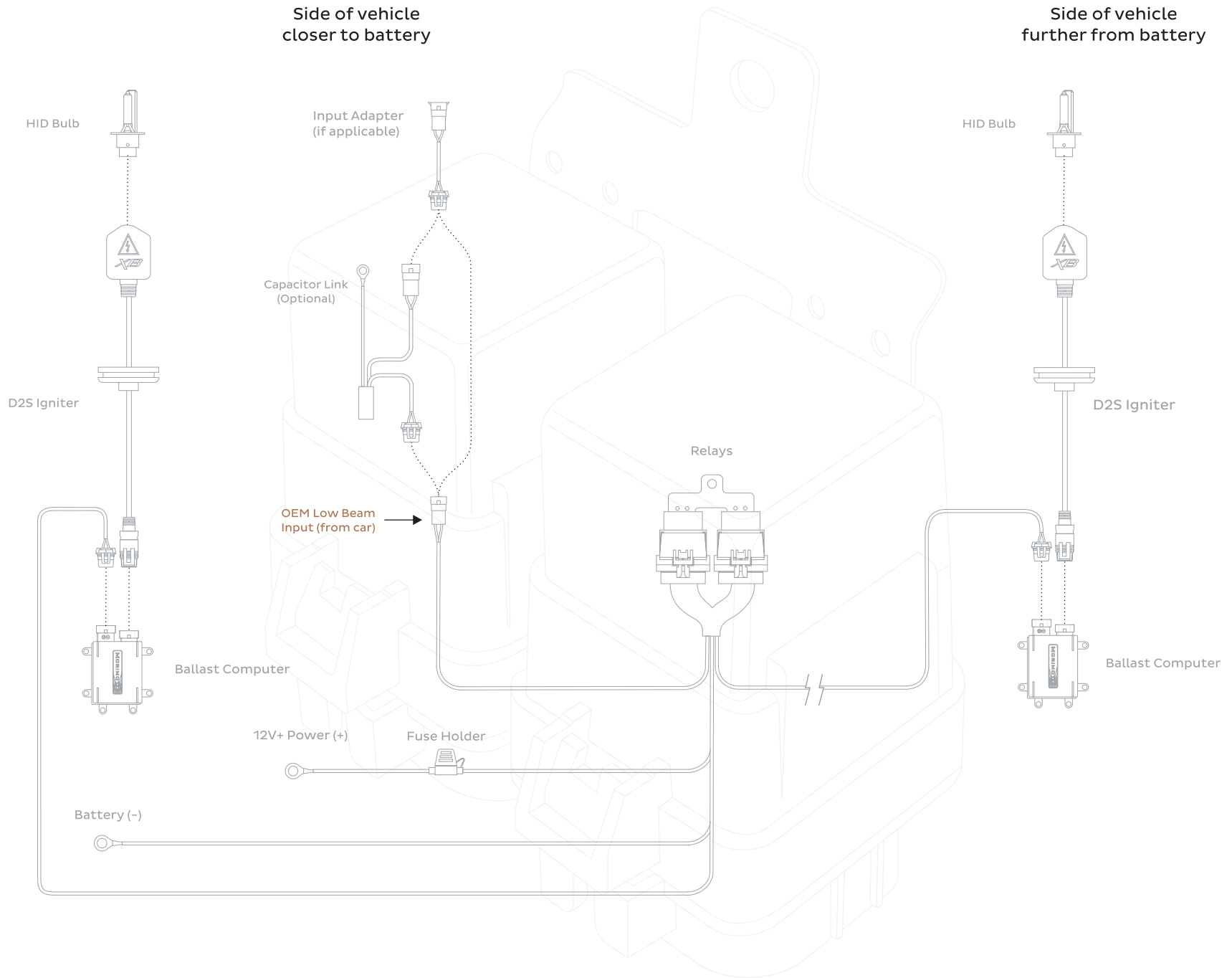
INTERNALLY-WIRED

Separate low and high beam bulbs; When you must first remove a cap (generally plastic) to access the bulb. Inside the housing, there is wiring going to the bulb.

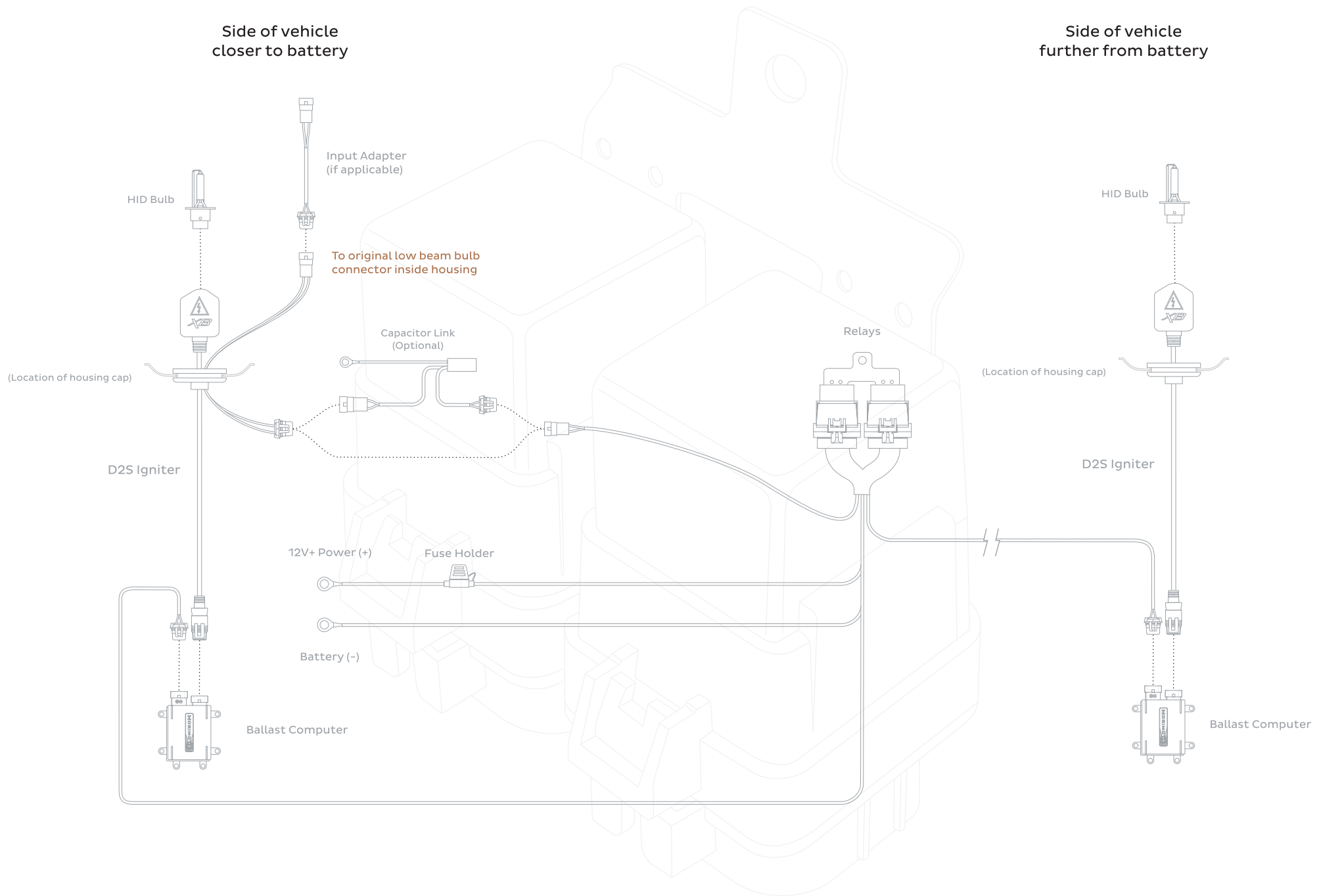


Proceed to P.4

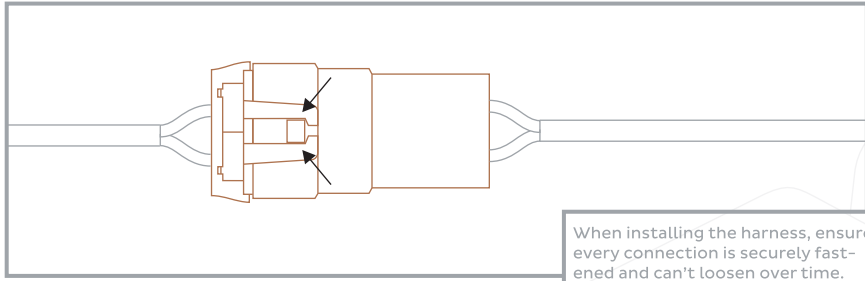
EXTERNALLY-WIRED



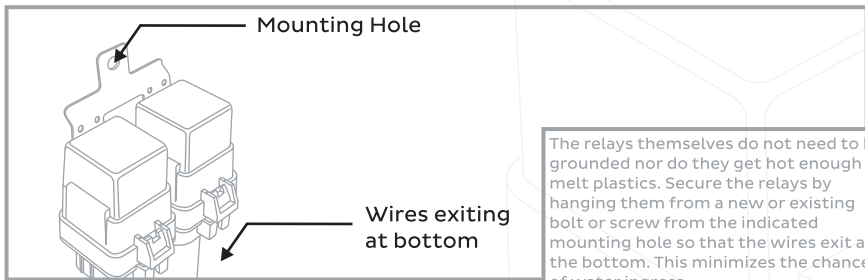
INTERNALLY-WIRED



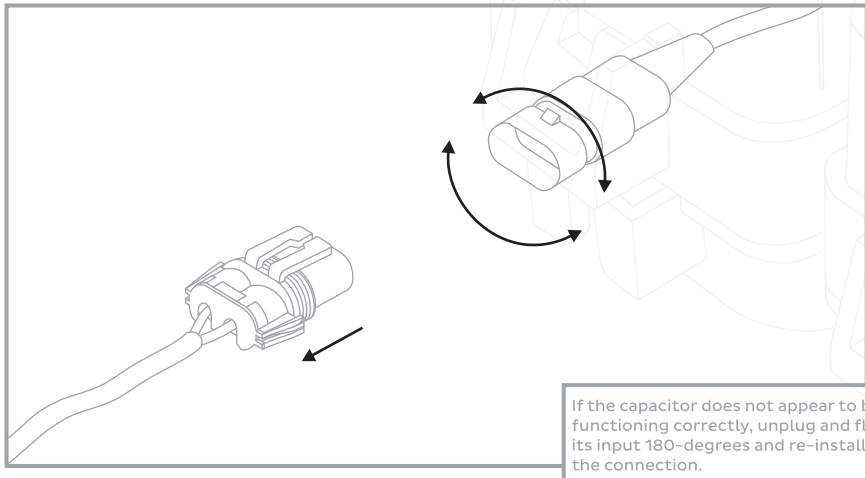
HARNESS INSTALLATION



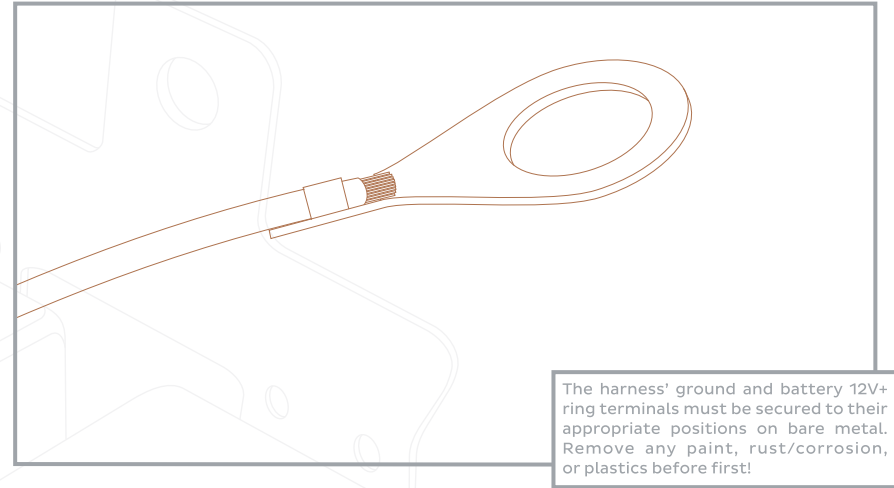
When installing the harness, ensure every connection is securely fastened and can't loosen over time.



The relays themselves do not need to be grounded nor do they get hot enough to melt plastics. Secure the relays by hanging them from a new or existing bolt or screw from the indicated mounting hole so that the wires exit at the bottom. This minimizes the chance of water ingress.



If the capacitor does not appear to be functioning correctly, unplug and flip its input 180-degrees and re-install the connection.



The harness' ground and battery 12V+ ring terminals must be secured to their appropriate positions on bare metal. Remove any paint, rust/corrosion, or plastics before first!

-END-