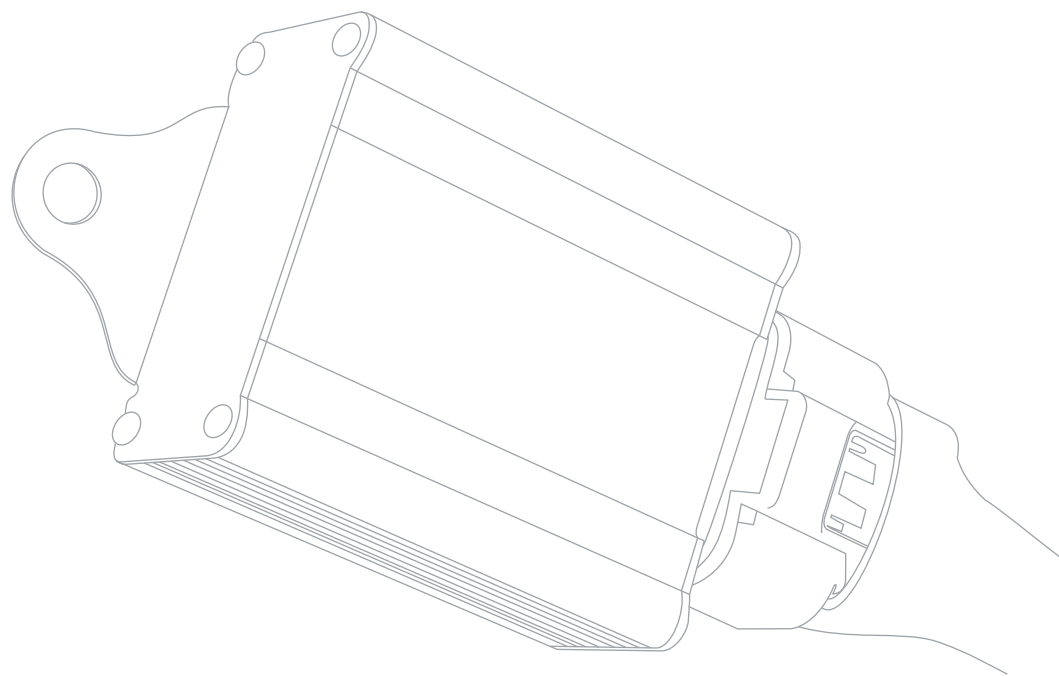




THE AUTOMOTIVE LIGHTING BENCHMARK



INSTALLATION GUIDE

# MOPAR-SPEC BI-XENON ELITE HID SYSTEM



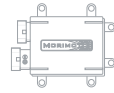


**WARNING:** By reading this document, I agree it is only to be used as an educational guide. Morimoto Lighting makes no guarantee on any finished results, nor are they to be held responsible for any damage, misuse, or personal injuries. Use at your own risk. If you are unable to clearly understand and adapt the information below to your own application, professional installation is recommended.

## TABLE OF CONTENTS

### SYSTEM DIAGRAMS

P.2



2x BALLAST COMPUTERS

WITH H13 HARNESS

P.3



2x AMP IGNITERS

WITH 9007 HARNESS

P.4



2x BI-XENON BULBS

### HARNESS INSTALLATION

P.6



1x TEST LEAD

### BULB INSTALLATION

P.6

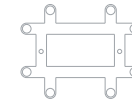


1x MOPAR-SPECIFIC BI-XENON HARNESS

### BALLAST INSTALLATION

P.7

## OPTIONAL PARTS



2x CARBON FIBER BALLAST BRACKETS

## SPECIAL NOTE



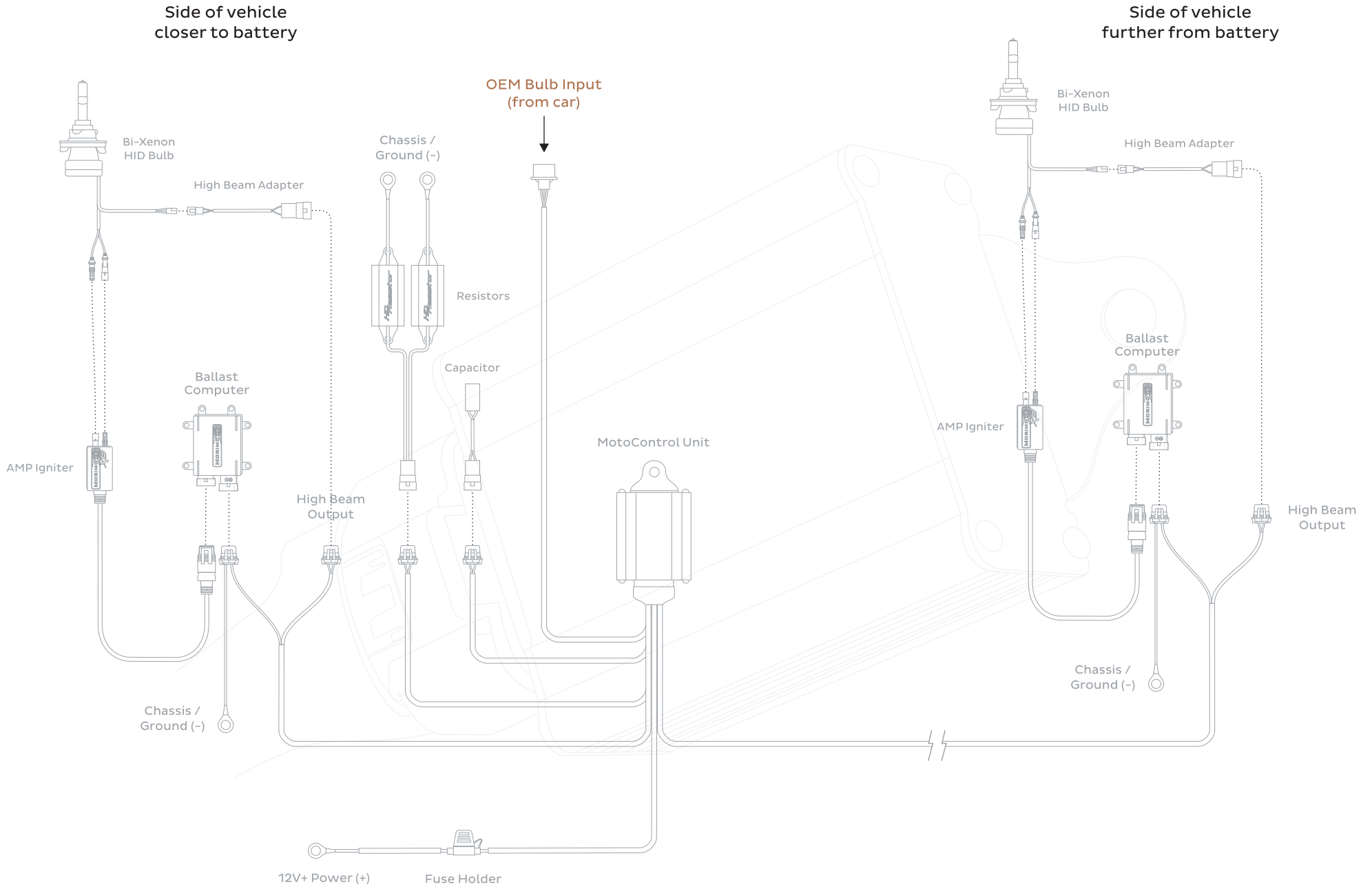
The Mopar-Specific harness is designed specifically to eliminate your vehicle's "bulb out" error. Due to the complexity of your vehicle's CANBUS bulb monitoring system, this is the most compatible harness available. If you have any persistent issues related to this system after installation, consult your Authorized Morimoto dealer for further support.

## SYSTEM DIAGRAMS

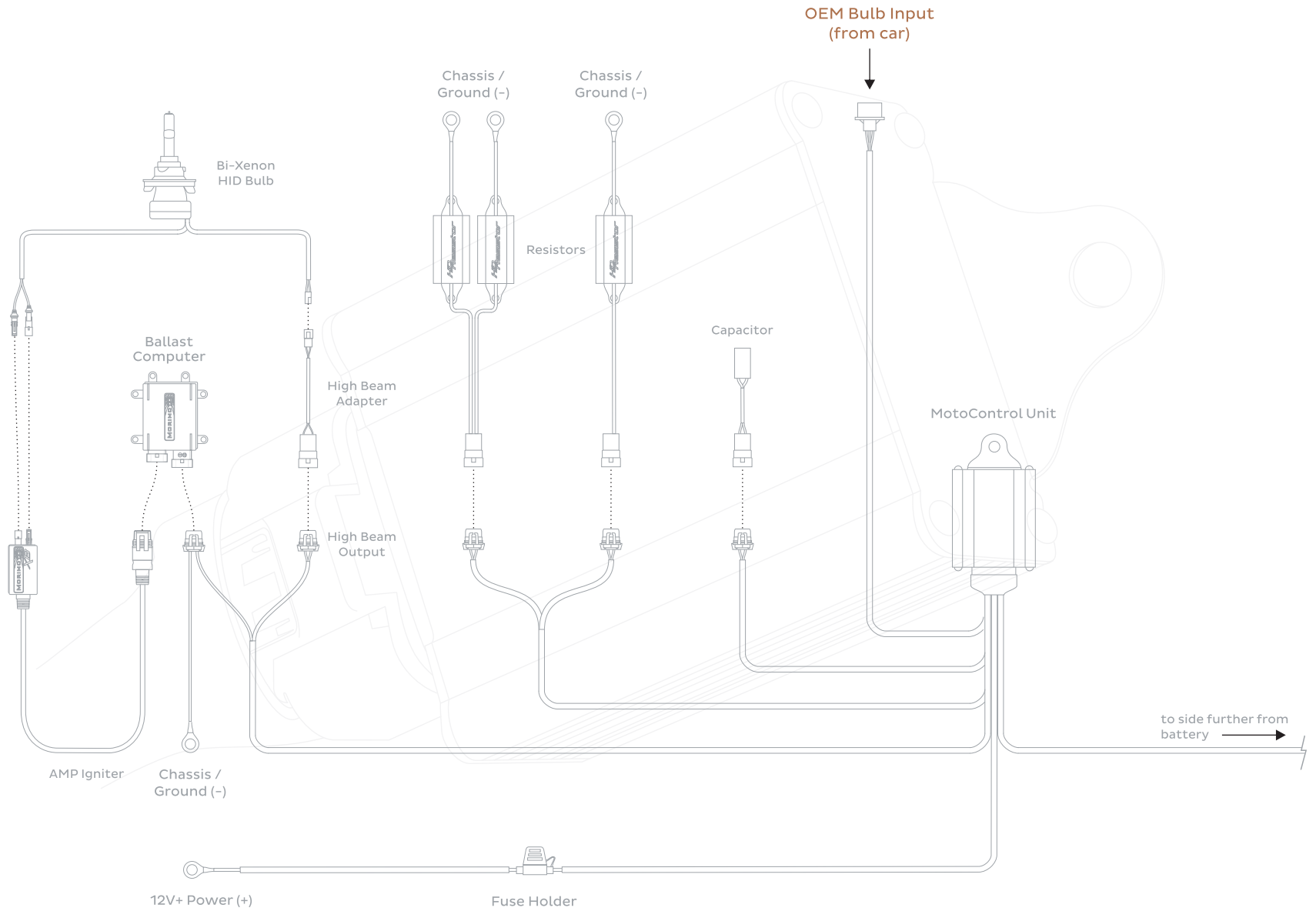


**NOTE:** System diagrams are to be used for reference purposes only. If you are unsure of the installation procedure for any individual part, review its install procedure prior to proceeding.

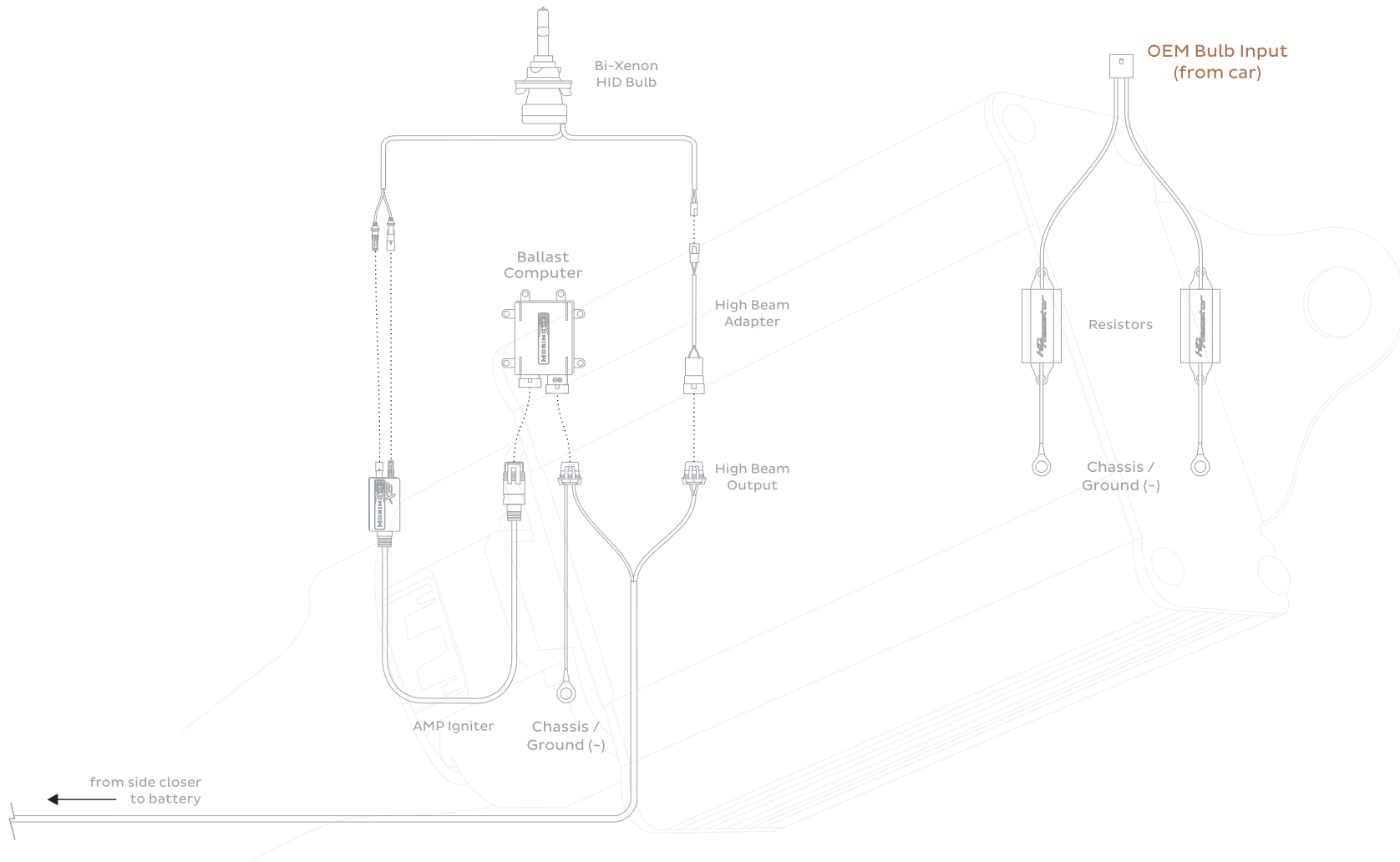
# H13 MOPAR-SPECIFIC HARNESS



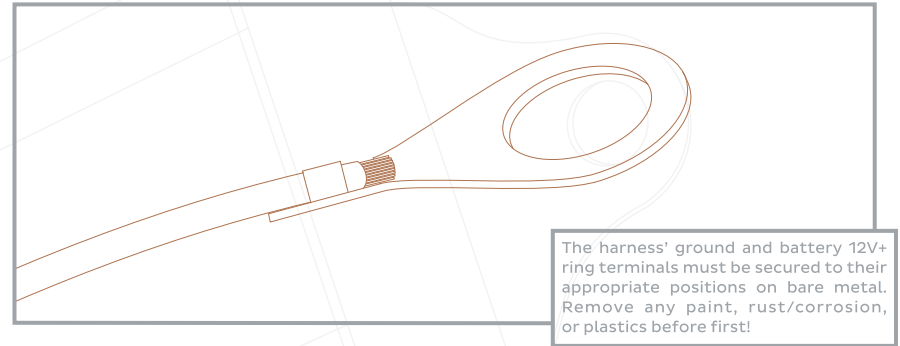
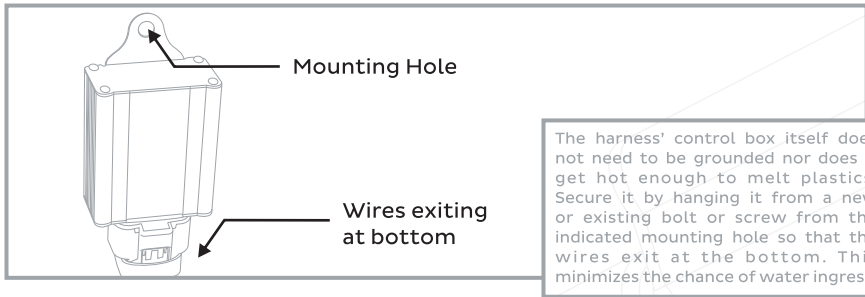
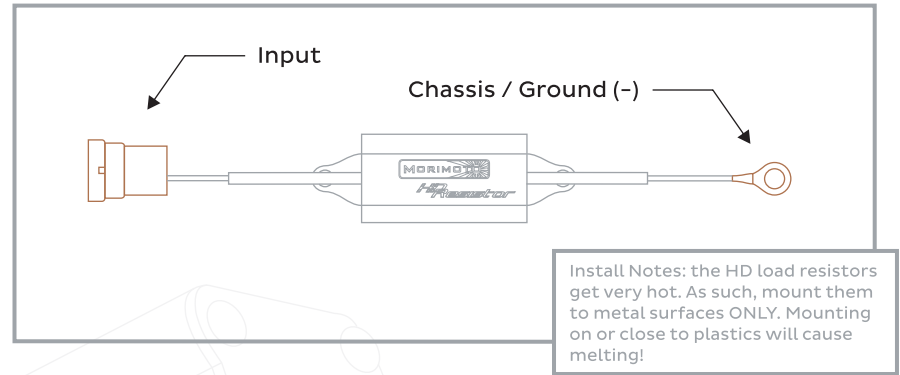
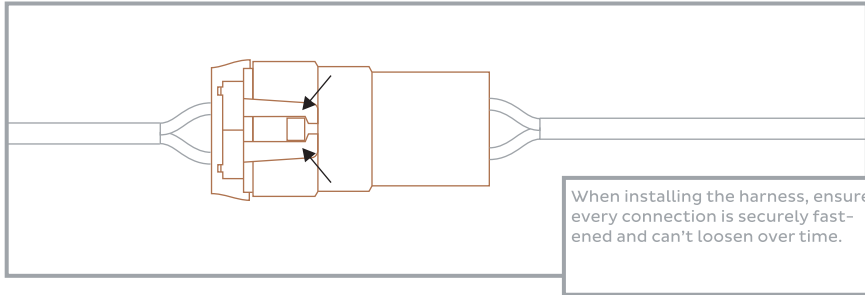
Side of vehicle  
closer to battery



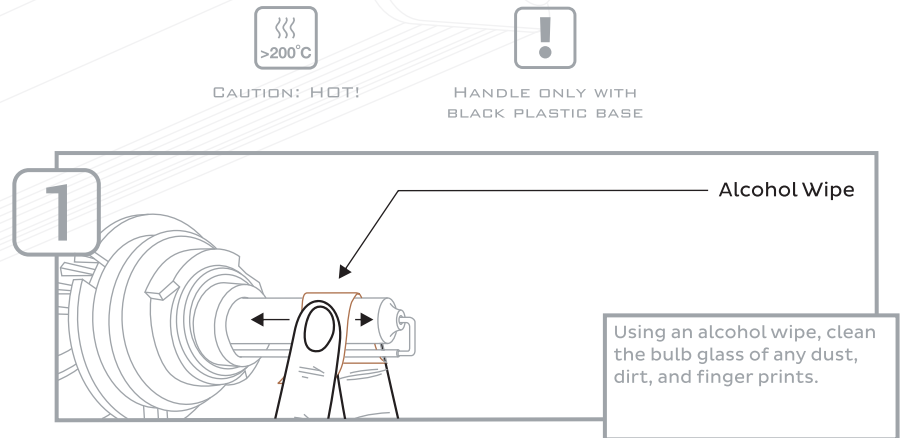
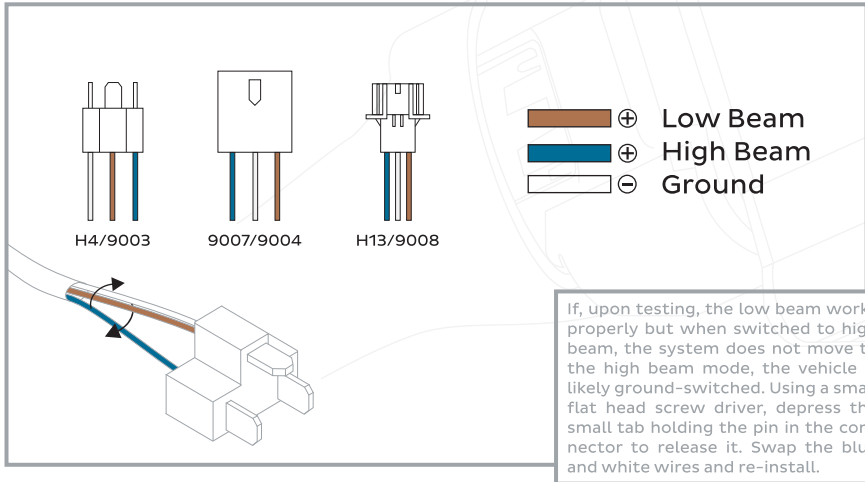
Side of vehicle  
further from battery

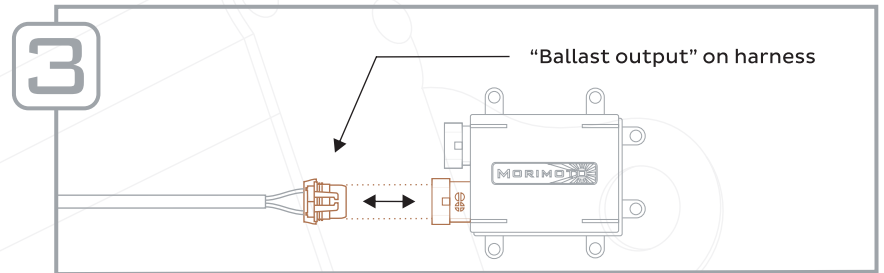
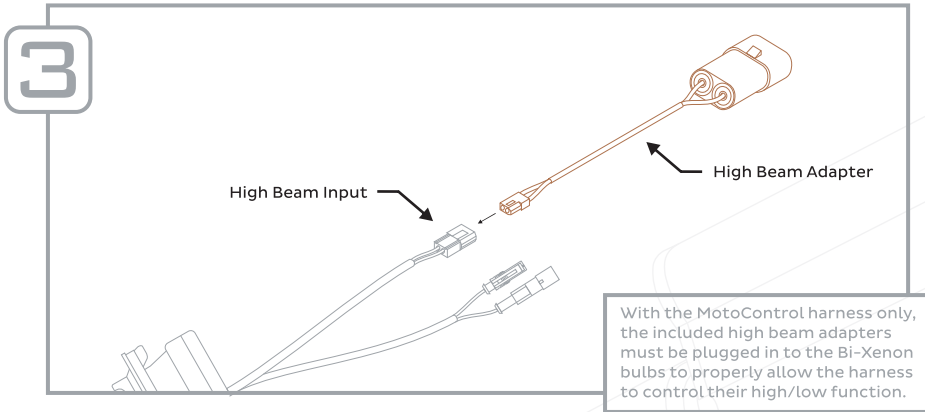
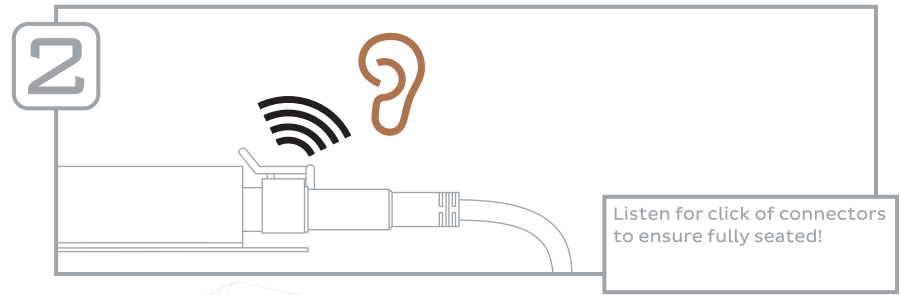
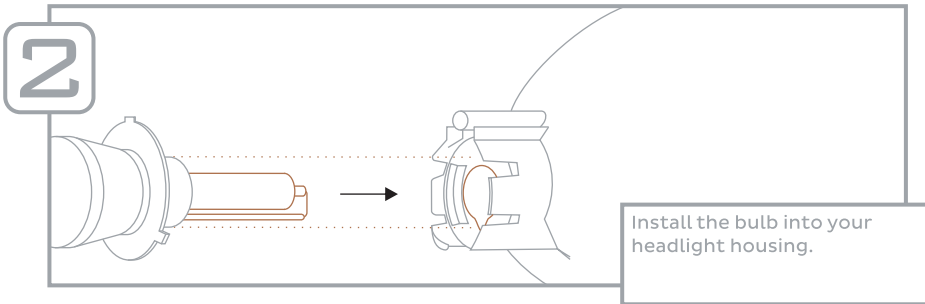


# HARNESS INSTALLATION



# BULB INSTALLATION





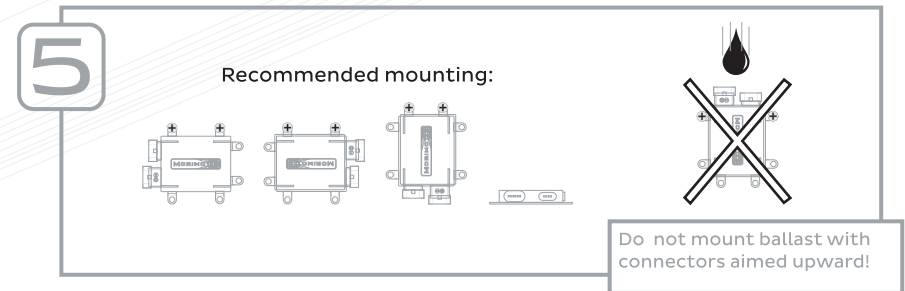
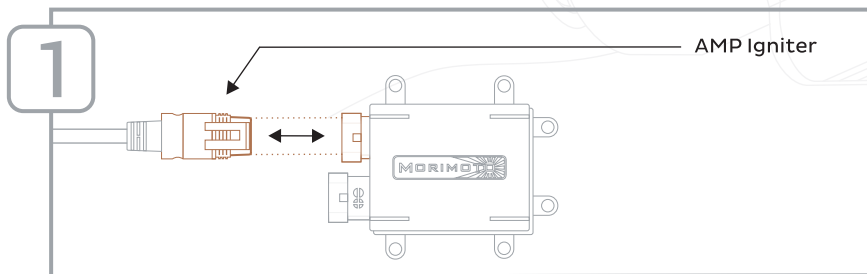
## BALLAST INSTALLATION



DO NOT IGNITE UNTIL FULLY CONNECTED!



WATERPROOF



-END-