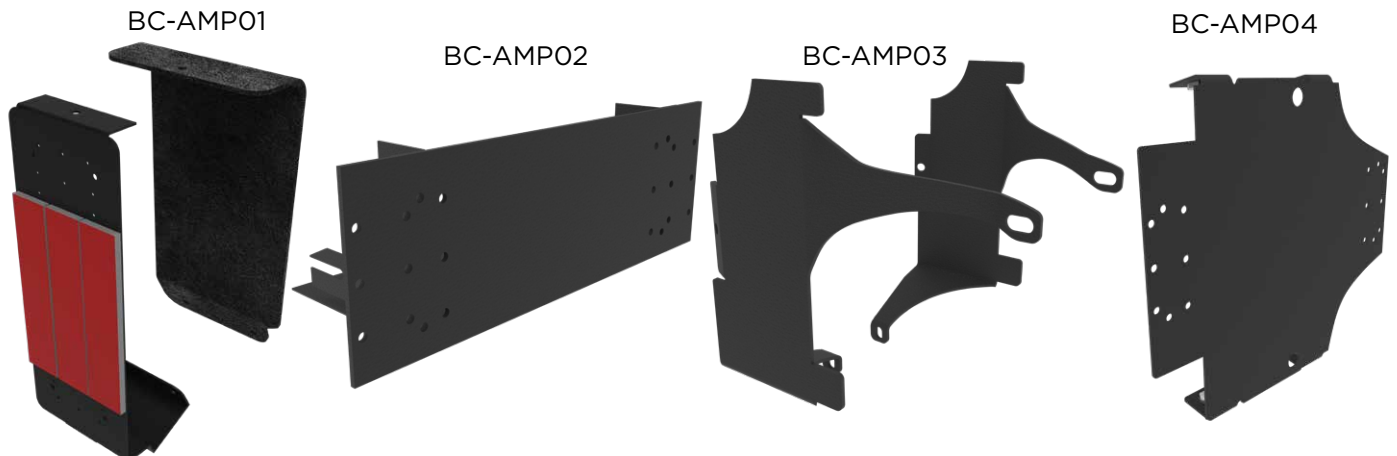


# HARLEY-DAVIDSON® AMPLIFIER MOUNTS



CELEBRATING  
**70**  
YEARS  
OF INNOVATION



## BC-AMP01 / BC-AMP02 / BC-AMP03 / BC-AMP04 HARLEY-DAVIDSON® AMPLIFIER MOUNTS

### PRODUCT OVERVIEW

Saddle Tramp has designed vehicle-specific Harley-Davidson mounting brackets to fit Metra PowerSports amplifiers, which may also fit other micro-amps. Featuring durable steel construction with UV powder coating.

#### **BC-AMP01**

*Fits all Harley-Davidson Touring models with hard saddlebags*

- No drilling required
- Steel construction with UV powder coating
- Pre-drilled for Metra PowerSports amps: MPS-AMP60x4, MPS-AMP100x2, MPS-AMP200-2D
- Works with most other micro-amps
- Molded carpet cover for protection and a clean look

#### **BC-AMP02**

*Fits 1998-2013 Harley-Davidson Touring Street Glide Models with batwing fairing*

- No drilling required
- Steel construction with UV powder coating
- Pre-drilled for Metra PowerSports amps: MPS-AMP60x4, MPS-AMP100x2, MPS-AMP200-2D, MPS-AMP850-5D, MPS-AMP125-4D
- Works with most other micro-amps

#### **BC-AMP03**

*Fits 1998-2013 Harley-Davidson Touring Street Glide models with batwing fairing*

- Used for batwing fairing bracket repair
- Can be used for installation of 2 amplifiers, drilling required
- Steel construction with UV powder coating
- Works with most other micro-amps

#### **BC-AMP04**

*Fits 2015 and Up\* Harley-Davidson Road Glide models*

- No drilling required
- Steel Construction with UV powder coating
- Pre-drilled for Metra Powersports Amps: MPS-AMP60x4, MPS-AMP100x2, MPS-AMP200-2D
- Works with most other micro-amps

[View other motorcycle sound systems made by Metra on our website.](#)