



INSTALLATION INSTRUCTIONS

SLIP-ON | TOURING™ REDLINE, DEEP CUT

MINIMUM REQUIRED TOOLS:



1/2", 9/16", 10mm,
WRENCHES

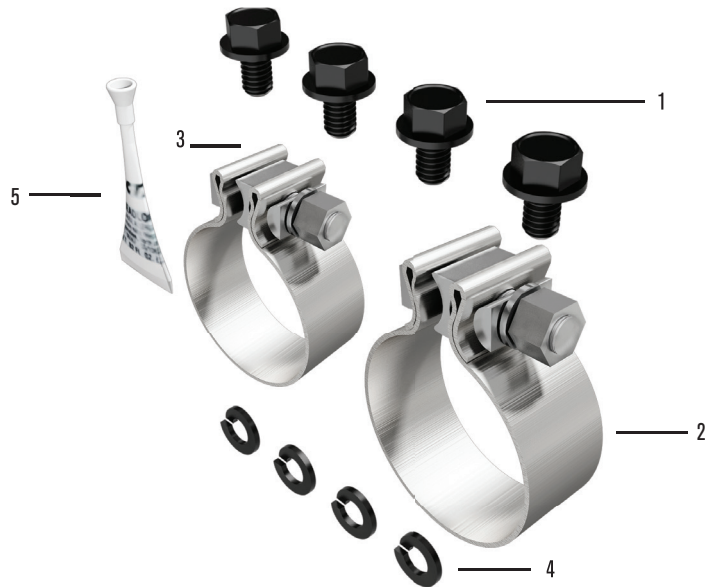


1/2", 10mm
9/16" SOCKETS
AND RATCHET



TORQUE
WRENCH

INCLUDED HARDWARE:



- 1. (4) BOLT HEX FLNG BLK 5/16-18x0.50
- 2. (1) MUFFLER CLAMP 2.50 inch
- 3. (1) MUFFLER CLAMP 1.75 inch
- 4. (4) WASHER SPLIT LOCK 5/16" BLK
- 5. (1) THREADLOCK



SYSTEM SHOWN IN CHROME

CHROME PART #7200705 #7202701 #7201204

BLACK PART #7200804 #7201105

*PRODUCT MAY VARY FROM IMAGE SHOWN



- 1. MUFFLER ASSEMBLY LEFT
- 2. MUFFLER ASSEMBLY RIGHT



IMPORTANT INFORMATION

1. Register your new product.
2. When installing new MagnaFlow exhaust systems, be sure your hands are clean and free of oil, lotion or similar products. After installation is completed and before starting the motorcycle, thoroughly clear the new exhaust system with a clean, soft cloth and cleaning solvent that leaves no residue. Debris, residue or fingerprints left on the system may cause damage to the finish. Damage or discoloration to finish is not covered by warranty.
3. MagnaFlow advises replacing worn or damaged gaskets.
4. Make sure there are no exhaust leaks at the junctions and connecting points of the exhaust pipes and/or mufflers, or at the cylinder.
5. Leaks due to improper installation may cause the engine to overheat. This may cause discoloration.

Maximize your motorcycles performance and efficiency by complementing your new MagnaFlow exhaust system with a fuel tuner management system and or EFI remapping. Remapping is suggested to optimize performance while reducing the possibility of damage to your motor or new exhaust system.

NOTICE: MagnaFlow makes every effort to design exhaust systems which enhance the riding experience. However, due to restraints on some models, tolerances, ground and or cornering clearance may not improve and in some cases may be reduced. Adjustments to the motorcycle not listed here may be required for proper fitment. Be sure to carefully follow all installation instructions.

DISCLAIMER: NOT LEGAL FOR SALE OR USE IN CALIFORNIA ON ANY POLLUTION CONTROLLED MOTOR VEHICLES.

Some part numbers not available in California. The California Air Resources Board (CARB) does not permit the use of aftermarket emission-related part(s) that alter the performance of OEM emission-related devices unless CARB has issued an Executive Order. Check Federal, State and local laws for compliance.

Platforms, model names and descriptions including but not limited to Dyna®, Softail®, Sportster®, Touring®, Fat Boy®, Road Glide®, Heritage® and Harley® are registered trademarks of The Harley-Davidson Motor Company®, Milwaukee, WI, U.S.A.

CALIFORNIA EMISSIONS NOTICE

Some part numbers are not legal for sale or use in California. The California Air Resources Board (CARB) does not permit the use of aftermarket emission-related part(s) that alter the performance of OEM emission-related devices unless CARB has issued an Executive Order, other than on racing vehicles on closed courses. Check your local laws and manufacturer's information.

In California, the sale and installation of motorcycle aftermarket exhaust parts that may have the potential to impact emissions are regulated by the California Air Resources Board (CARB). The sale, installation and use of emissions related aftermarket exhaust parts on motorcycles is prohibited unless the exhaust part is either an OEM "replacement part" as defined by the state of California, or is specifically permitted for use by an Executive Order issued by CARB.

(1) Replacement Parts

Replacement Parts are aftermarket parts that are functionally identical to the stock OEM part they are intended to replace, and therefore do not adversely impact emissions when installed and in use. Replacement Parts are permitted for sale, installation and use on motorcycles used on or off the public highways in California. For motorcycles, these parts fall in to two categories:

CALIFORNIA EMISSIONS NOTICE (CONT.)

* No emission control - If the motorcycle's stock exhaust system does not contain any emission control components, then an aftermarket exhaust part is a Replacement Part and no EO is required.

* Upstream emission control devise. If the motorcycle's stock exhaust system contains a catalytic converter, then an aftermarket exhaust part positioned downstream from the catalytic converter (i.e. cat-back) is a Replacement Part as long as it does not remove, replace or adversely affect any emission control equipment originally attached to the stock exhaust system.

(2) Executive Order Parts

All exhaust parts that incorporate or impact any emission control devise require a CARB issued Executive Order allowing the parts to be advertised, sold, offered for sale and installed in California, pursuant to specific application.

1. Locate and remove the two D-ring pins inside of each stock saddlebag. (Figure 1)



Fig.1a



Fig.1b

2. Remove each saddlebag by carefully lifting them up and away from the motorcycle. Safely set saddlebags to the side. (Figure 2)



Fig.2

3. Locate and loosen the factory clamp at the inlet side of the OEM mufflers. (Figure 3)



Fig.3

4. Remove the two 5/16 inch bolts and washers attaching each muffler to the saddle bags mounts. (Figure 4)

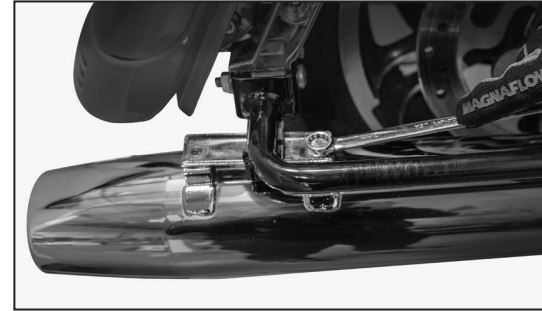


Fig.4

5. Slide each muffler towards the rear of the bike to remove it from the head pipe assembly.

Note: Penetrating lubrication may be necessary to assist in the removal of the muffler. (Figure 5)

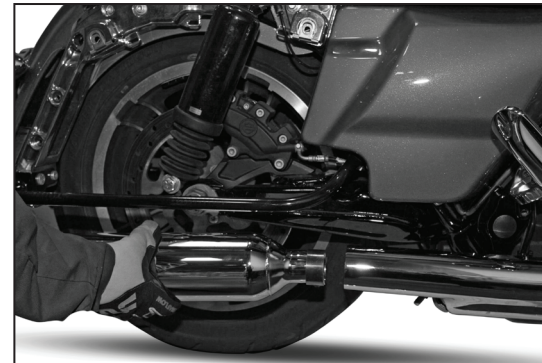


Fig.5

1. Install the supplied clamps on the inlet side of each muffler with the bolt head up. (Figure 6)

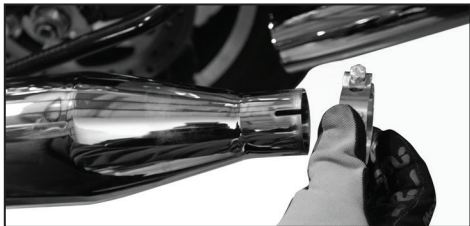


Fig.6

2. With the logo plate facing outward, slide each of the MagnaFlow mufflers on to the head pipe assembly. Do not tighten the muffler clamp at this time to allow for adjustment. (Figure 7)

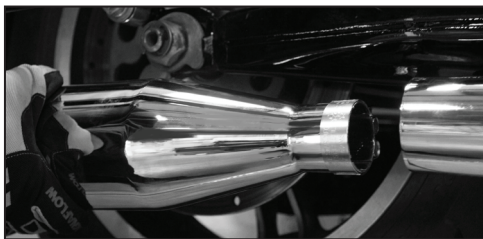


Fig.7

3. Apply the threadlocker to the four supplied 5/16 inch bolts. (Figure 8)



Fig.8

4. Install the bolts and supplied washers through the saddle bag mounting plate and to the top of each muffler. Do not tighten the bolts at this time to allow for adjustment.
5. Align the mufflers correctly, then tighten the 5/16 bolts to the recommended 13-19 Ft/Lbs.

6. Tighten the muffler clamps to the recommended 45-50 Ft/Lbs. (Figure 9)

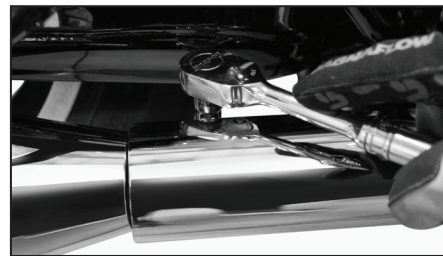


Fig.9

7. Clean the mufflers to remove any oil or residue. Please reference item 2 on Important Information page.
8. Start the engine and check for any exhaust leaks. Re-adjust or tighten as necessary. Please reference item 2 on the Important Information page.