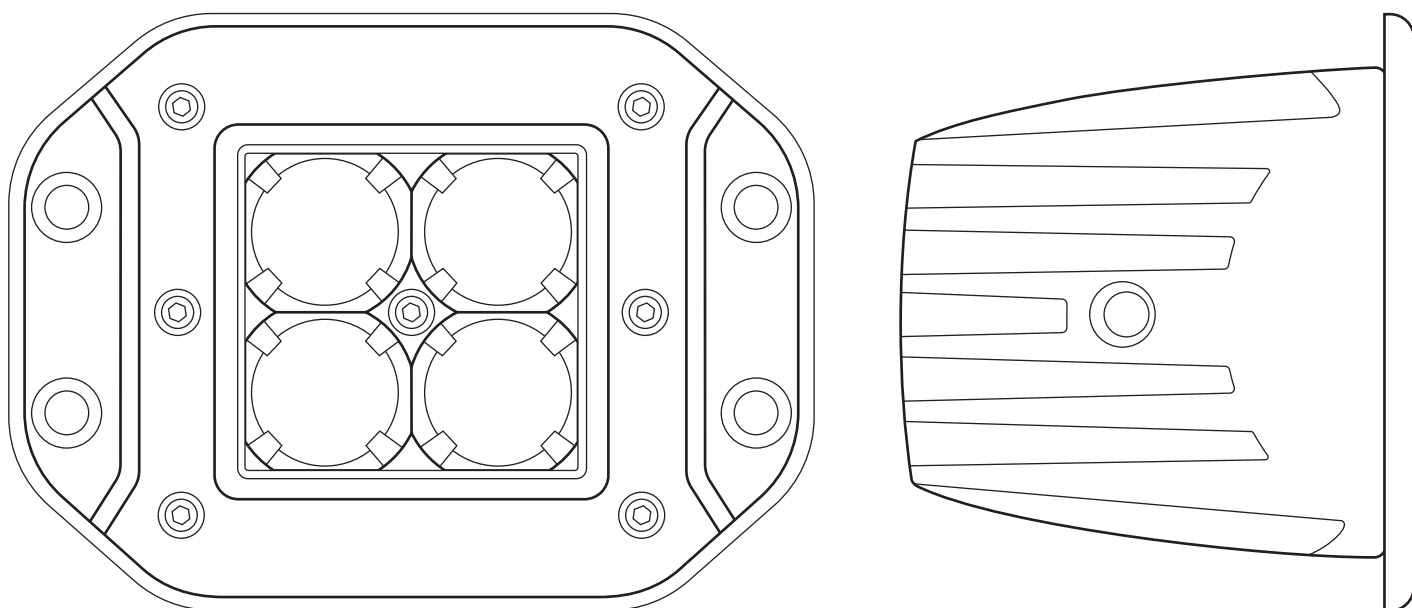


L U M E N

Flush Mount LED Lights

# INSTALLATION INSTRUCTIONS



**⚠ Caution**

This is a universal item and installation will vary by vehicle. Professional installation is recommended if you are unable to complete the installation yourself.

**🔧 Tools and supplies needed:**

- Phillips screwdriver
- Test light
- 10mm wrench
- 10mm socket
- ¼ inch ratchet
- Channel lock pliers
- Electric Drill
- ¾ inch drill bit
- 5mm Allen Key
- Cable Ties
- Wire Taps



 **In the box:**

- 2 Flush Mount LED Pod Lights
- Wiring and hardware



## TO INSTALL LED PODS AS REVERSE LIGHTS, FOLLOW THE INSTRUCTIONS

**STEP 1.** Remove lights from box, make sure all parts and components are correct.

**STEP 2.** Connect the wiring harness to the lights before installing and confirm operation.

**STEP 3.** Find a suitable mounting location for your lights, most off road bumpers have pre-made mounting locations for the lights. If you do not have a pre-made hole in your bumper, you will need to remove a small part of the bumper for the light to properly mount into it.



**STEP 4.** After you have located a suitable mounting location, mount the lights to the bumper with the provided hardware.





**STEP 5.** Remove one of your factory tail lights, unplug the connector to expose the pins.



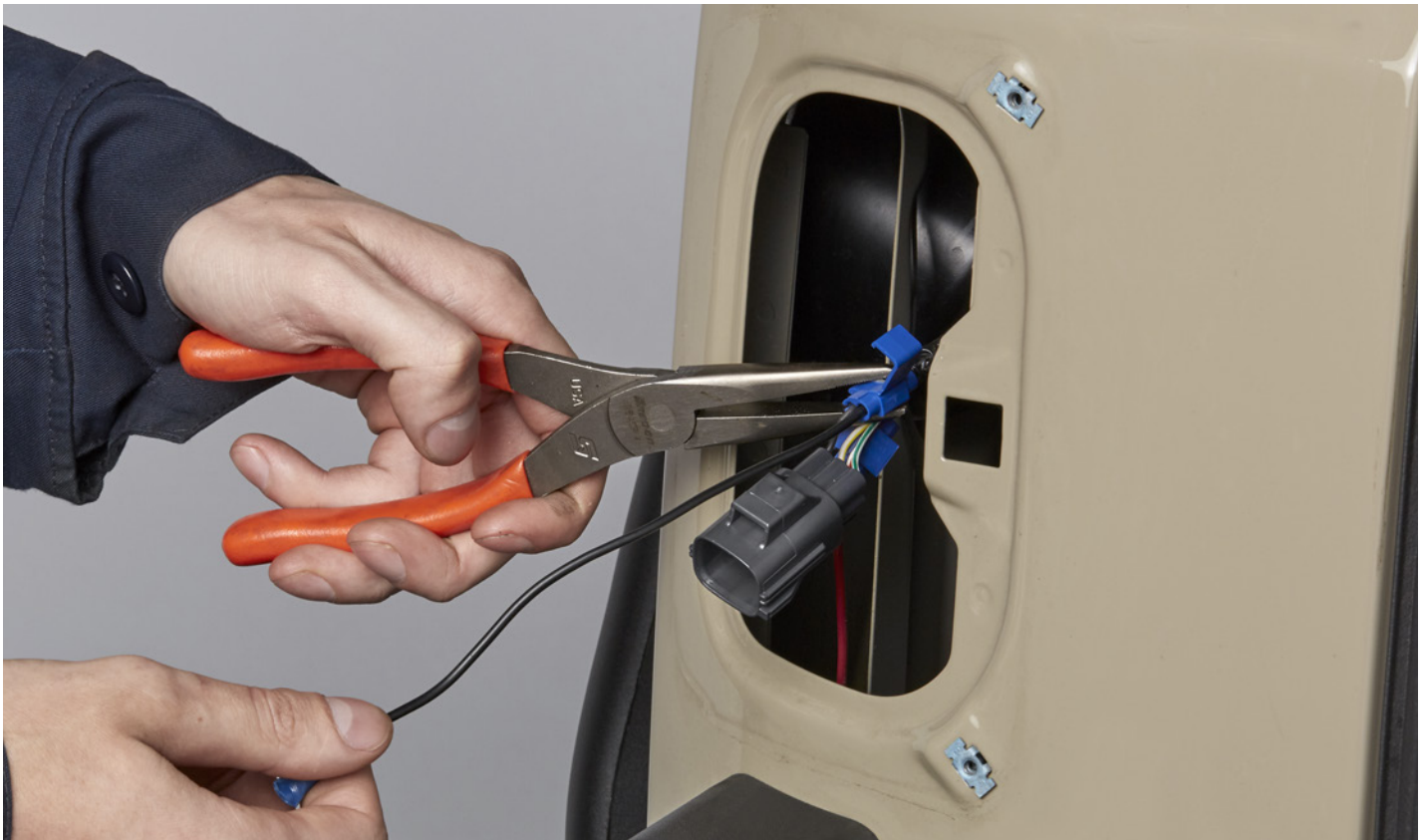
**STEP 6.** Place the vehicle in the “RUN” position (without starting the engine). Engage the parking brake and move the gear selector to the reverse position. Confirm the reverse lights are illuminated on the tail light you did not remove.

**STEP 7.** Using a grounded test light, test the pins on the tail light connector to find the reverse wire. The test light will illuminate when you have found the reverse light wire. Once you find the correct wire, make sure to turn the ignition back to the “OFF” position.



**STEP 8.** Find a suitable location to tap into the reverse light wire. Cut off the connector from the end of the light harness and separate the power and ground wire. Using a scotch lock or wiretap, connect the reverse light wire to the power (red) wire for the flush mount lights.





**STEP 9.** Connect the ground wire for the flush mount lights to a good ground on the body/frame, or you can connect it to the ground wire of the tail light harness using the same method described in step 6. You can locate the ground wire of the tail light by connecting the clamp of the test light onto the positive terminal of the battery and testing the terminals as described in step 5, the ground wire is usually black or white with a black tracer.

**STEP 10.** Place the vehicle in reverse and ensure proper operation of the Lumen flush mount LED lights.



## IF YOU WILL BE USING THE RELAY HARNESS, FOLLOW THESE INSTRUCTIONS

**STEP 1.** Remove lights from box, make sure all parts and components are correct.

**STEP 2.** Connect the wiring harness to the lights before installing and confirm operation.

**STEP 3.** Run the wiring harness for the flush mount lights in a location that is free from hot or moving parts. Good areas to run the harness are along the frame rails, following an existing harness, or along a boxed section of the body.



If the provided wiring harness is not long enough, you may need to extend it. Secure the harness onto the vehicle using cable ties.



**STEP 4.** After running the vehicle harness, it is time to run the switch harness. Run the wires for the switch through the firewall into the passenger compartment.



To ease installation, unplug the switch before you send the wires through the firewall. You can send the wire through an existing hole in the firewall, there is usually a rubber grommet in the hole of the firewall, make sure the grommet is still sealed when you are done running the wire.

**STEP 5.** After your switch harness is inside the vehicle, it is time to find a good location to mount your switch. Most vehicles will have empty switch sockets on the dashboard, they are great locations for your new switch.





Once you find your mounting location, ensure there are no crucial components behind the area you will be installing the switch. Drill a  $\frac{3}{4}$ " hole, send the switch wires through the hole, plug in the switch, then snap the switch into the hole. An alternative option to using our switch is installing a switch panel, which is very helpful if you will be installing multiple accessories.

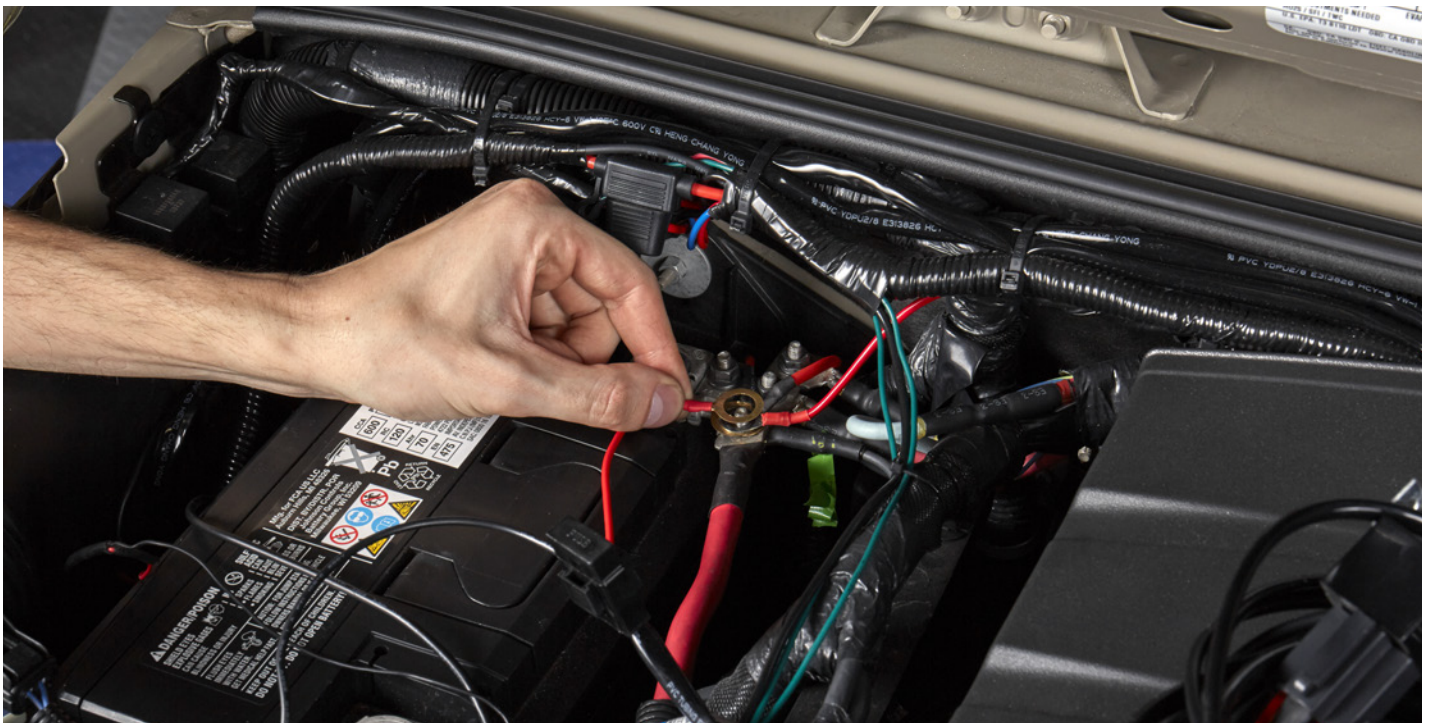




**STEP 6.** Once the wiring to the light and switch is finished. It is time to mount the lights. Find a suitable location and mount the light with the provided hardware. Most off-road bumpers have pre-made mounting locations for the lights. If you do not have a pre-made hole in your bumper, you will need to remove a small part of the bumper for the light to properly mount into it. Once your Lumen flush mount lights are installed plug the connector from each light to the connector on the wiring harness.



**STEP 7.** Connect the black wire to the negative terminal on the battery and the red wire on the positive terminal.



**STEP 8.** Turn on the switch and test for proper operation.



Check out other lights offered in our online store.