

LIGHTFORCE GENESIS LED

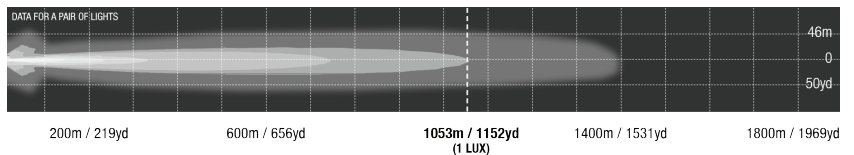
With a maximum distance of 1 LUX @ 1053 meters and a massive output of 13,850 raw lumens, the Australian made 210mm Genesis LED sets new benchmarks in LED technology.

Genesis LED has features such as CISPR25 and IP69K. This means every light has reduced radio interference technology and the ability to withstand water and dust ingress.

FEATURES:

- 140W LED / 13850lm (raw) for industry leading output
- 37 x High quality Lumileds LEDs that provide consistent performance
- LED spot reflector with the ability to use a combination modular filter
- 73mm slim footprint that provides multiple mounting options
- 3 Stage Operation: Full intensity, day time or night time positioning options
- Reverse polarity voltage protection and high current waterproof connectors
- CISPR25 compliant, reduced radio frequency interference technology
- Thermal overload protection, protects light from overheating
- Hard-wearing UV stable powder coat finish
- IP69K rated / Gore® waterproof membrane to protect against water & dust
- Pressure diecast aluminium housing and bezel providing lightweight strength
- Impact resistant polycarbonate filter for added protection.

DATA FOR A PAIR OF LIGHTS:



KIT INCLUSIONS:

- 1 x Genesis LED light with fitted mounting bracket (DL210LED)
- 1 x Spot filter
- 1 x 4 pin high current waterproof harness adaptor
- 1 x Mounting hardware
- 1 x User instructions.



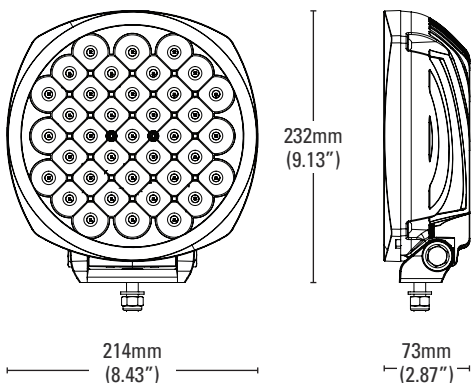
SPECIFICATIONS:

- Power: 140 Watts / 210mm reflector array
- Raw lumens: 13850lm
- Effective lumens: 12000lm
- Input voltage range: 10 – 32V
- Current draw: 10.5 Amps @ 13.2V
- Colour temperature: 5000K
- LED lifespan: 50,000 hours
- Input cable length: 460mm
- Operating temperature: -40 to 63C
- Weight including bracket: 2.4kg.

OPTIONAL ACCESSORIES:

- Driving light harness with three stage switch operation and waterproof connectors (LFDLHTS)
- Anti theft kit (ATNSG2)
- Filters available in clear, crystal blue, yellow, amber & black / spot, wide & combo.

DIMENSIONS:



LightFORCE