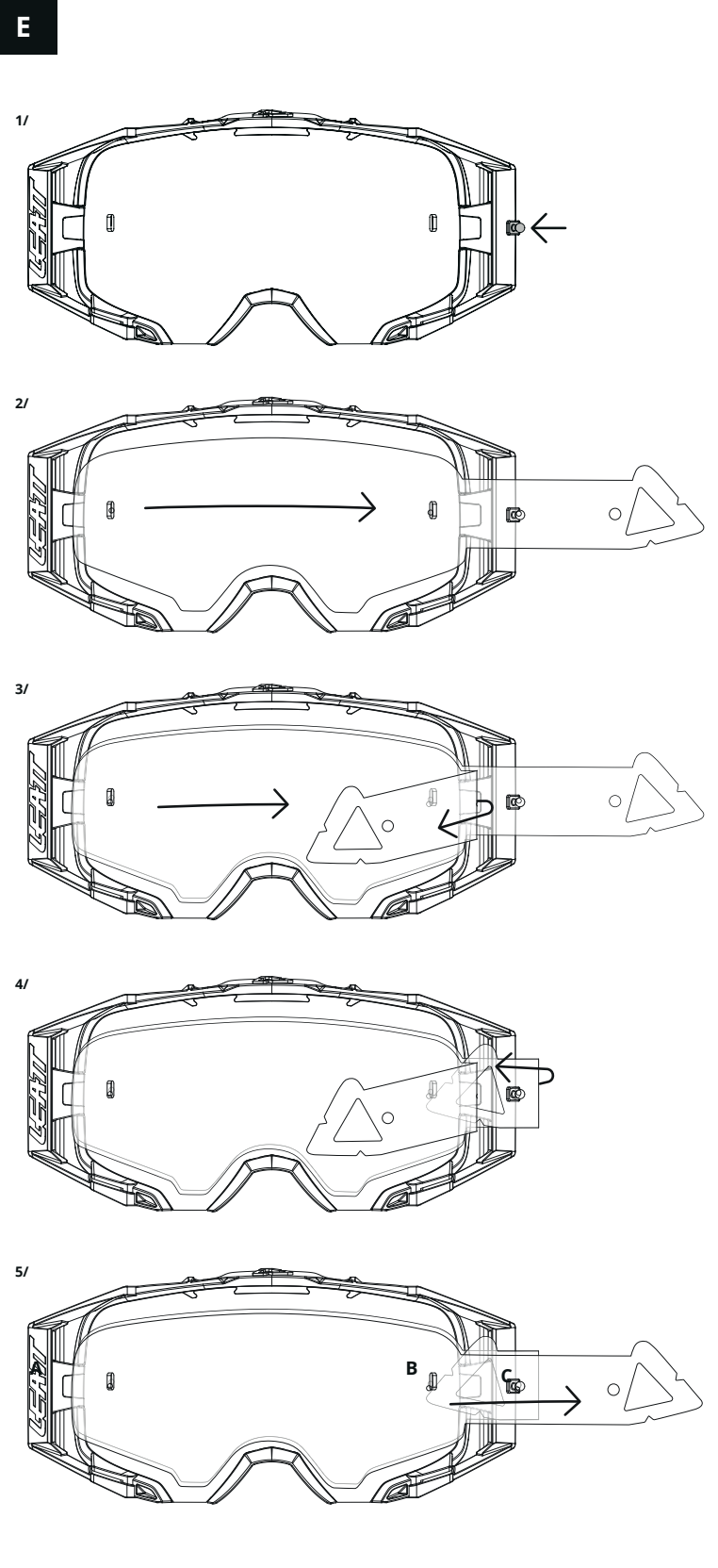
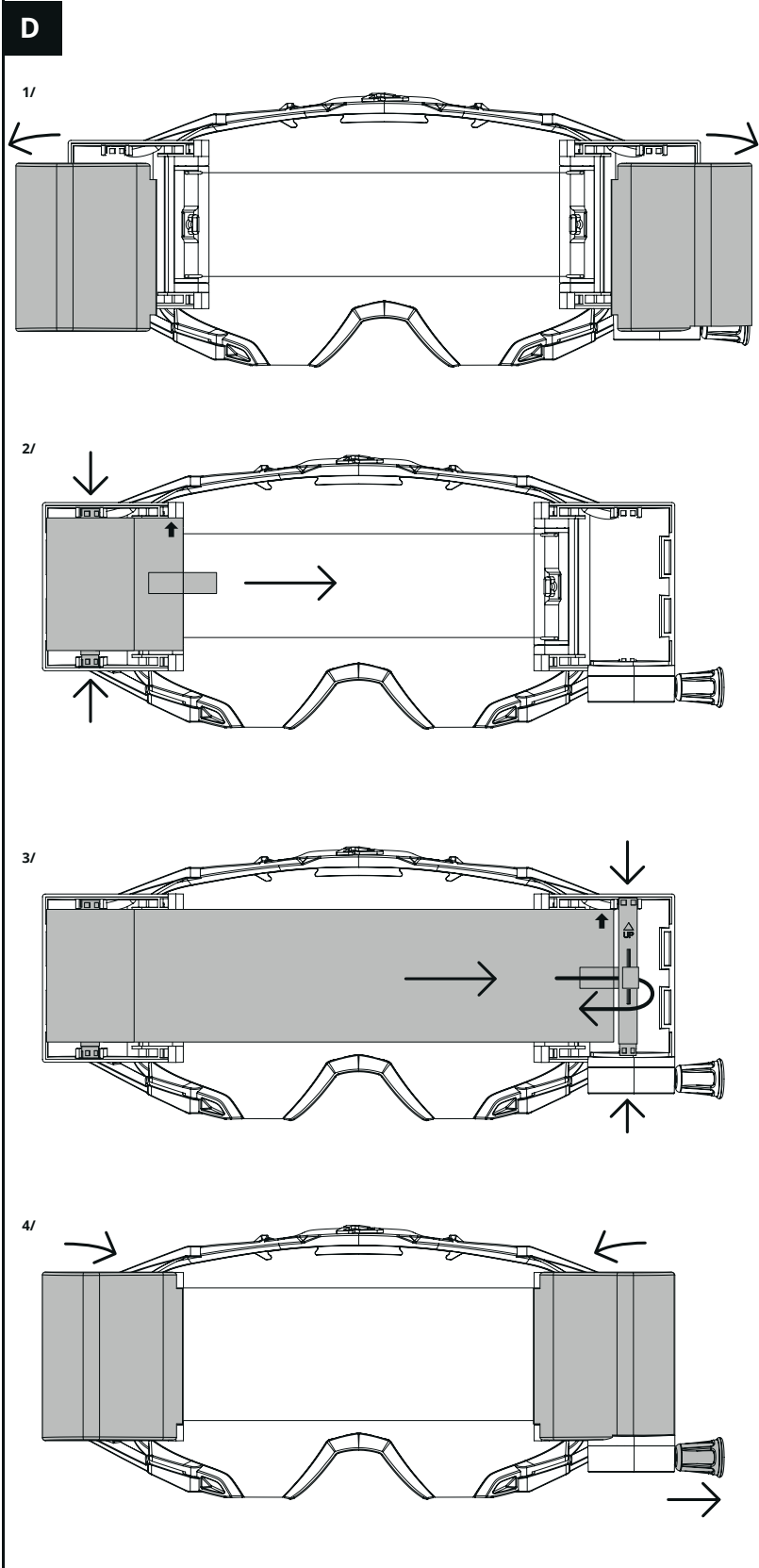
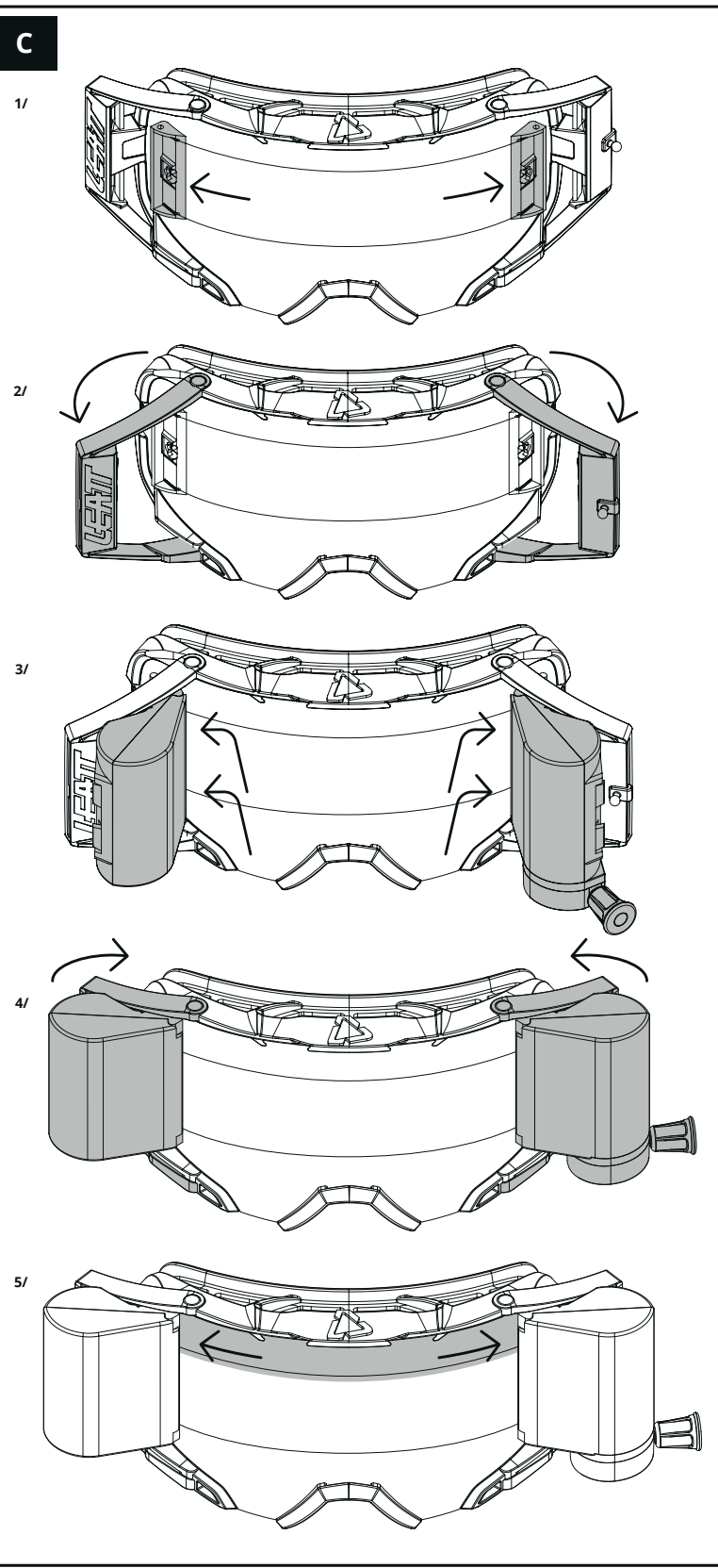
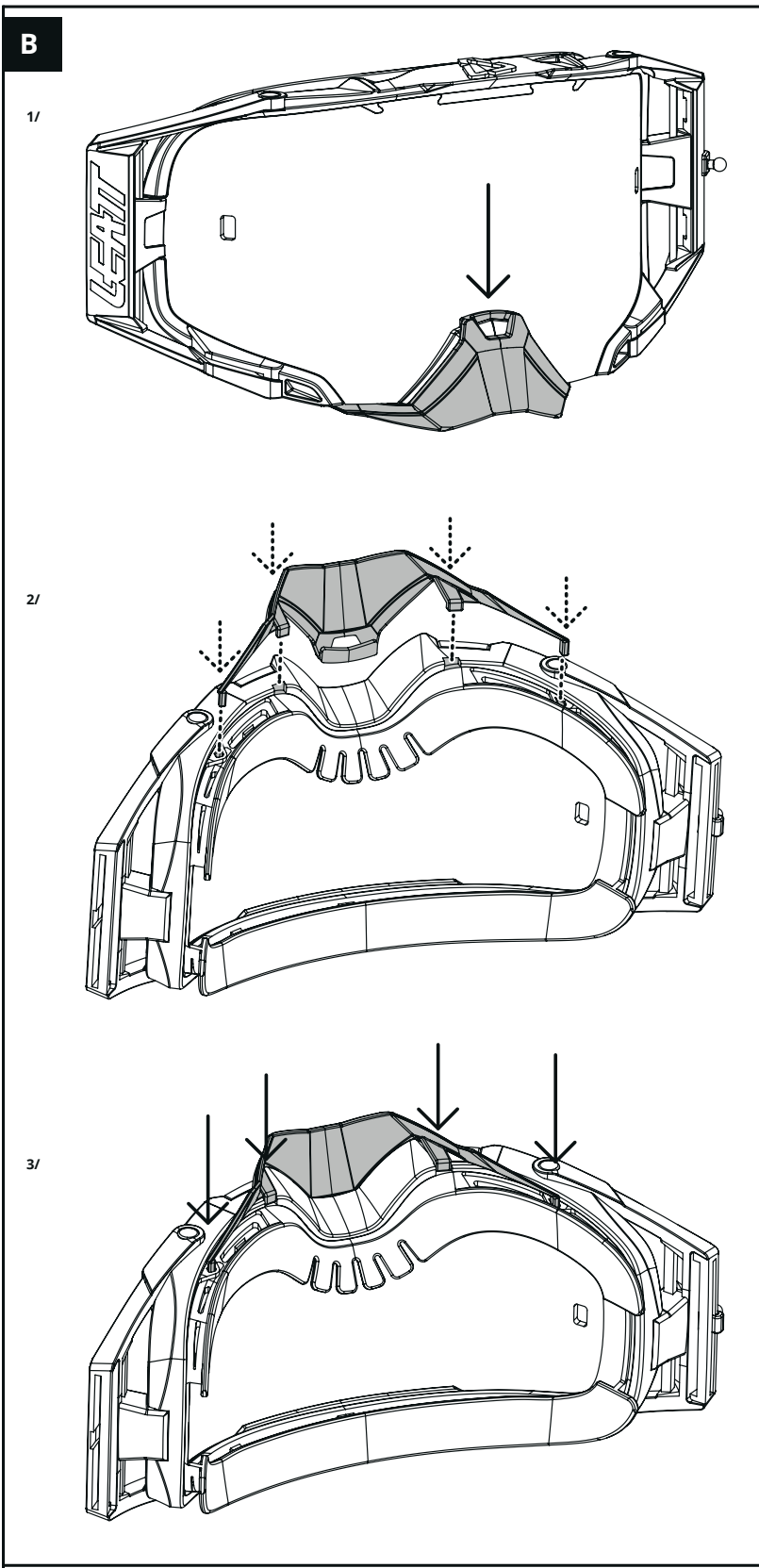
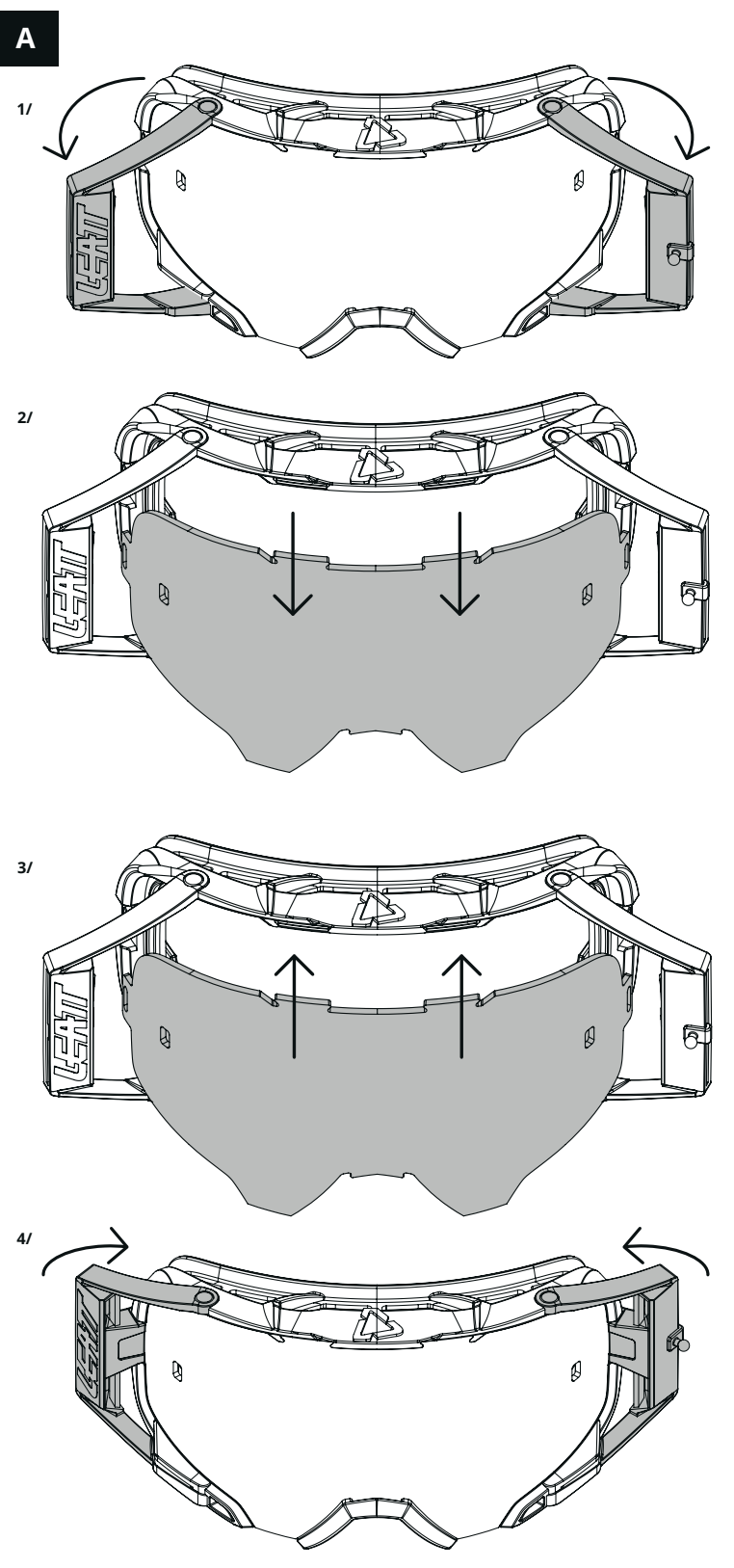




VELOCITY GOGGLES
6.5 / 6.5 IRIZ / 6.5 ROLL-OFF
READ BEFORE USE



INTENDED USE:

Our goggles are manufactured in accordance with the latest technology and are specifically designed for Motorcycle, ATV, Scooter and Motocross riders' use only.

NOTE:

This product is a Personal Protective Equipment (PPE) belonging to the second Category Risk according to the REGULATION (EU) 2016/425 and it complies with the requirements laid down by the European Standard 'EN 1938:2010 Personal eye protection — Goggles for motorcycle and moped users'. It has been certified by CERTOTTICA SCRL, Zi Villanova, 32013 Longarone, Italy, Notified Body Number 0530.

WARNING:

Our goggles provide a certain level of eye protection during the use of motorcycles but cannot protect its user in all circumstances. The lenses must be fitted securely into the frame to perform properly. Motorcycle riding can be dangerous, and the use of these goggles do not guarantee safety, preventing accidents or injury. These goggles were not designed to protect against hard objects or in case of a fall. Leatt® is not responsible for injuries incurred while using these goggles. Lenses from category FC:1 and FC:2 are not suitable for use during nighttime or twilight conditions. Leatt® goggles offer improved protection to impacts from small particles at impact speeds up to 60 m/s and resistance to fogging for all kinds of motorcycle and moped activities except for official races and competitions. Leatt® goggles will not prevent traumas caused by high-energy impacts, traumas caused by severe forces of bending, twisting, torsion, or crushing as a result of striking an object. No protective goggles can offer complete protection against all injuries.

STORAGE AND TRANSPORT

When not in use, store the goggles in a dry, ventilated place and out of direct sunlight. Do not expose to extreme temperatures and do not store in an enclosed area such as the back shelf of a car. Do not load heavy weights onto goggles to avoid misshaping/deformation of the product. Leatt® Corporation recommends that the Leatt® product is replaced every three (3) years under normal use. Leatt® goggles are warranted for one year (two years in the European Union) from the date of purchase against manufacturer's defects.

CLEANING INSTRUCTIONS

Lenses should only be cleaned with mild soap and water using the soft cloth provided with the goggle. Take care to ensure that there are no dust particles on the lens or the cleaning cloth when cleaning. *WARNING: Do not treat the surface with solvents or scouring powders. These elements could cause a loss of optical clarity and mechanical resistance. Scratched or damaged lenses are unsafe and should be replaced. For maintenance purposes, we recommend that you exclusively use Leatt®'s original spare parts as offered in our commercial catalogue and on our website. It is recommended that you check the product by doing a visual inspection before and after every use. If there is any damage (i.e. lens scratching), replace the lens, and if necessary the entire product. In all cases of impact, replace the goggles. PPE of this type should be replaced at least every two years even if the PPE has not suffered any damage. Damage may be present and may not always be identified by a simple visual inspection.*

CHANGING THE LENS:

- STEP 1: With the lens facing you, pull both side's outriggers forward until they are both unclipped and separates from the frame.(A)
- STEP 2: With the goggle facing away from you, press firmly inside of the lens on both the left and right mounts until the lens clicks off.(A)
- STEP 3: Keep both outriggers lifted and place a new lens over the mounts, fitting it on both ends of the frame. Ensure that

the top part fits the frame and that it fits behind the front part of the nose area. Ensure that the lens lies flat on the lens gasket all the way around the frame.(A)

- STEP 4: Holding the lens in place and with the goggles facing you, press down on the outriggers on both sides until they are clipped in securely onto the frame.(A)

NOSE DEFLECTOR: MOUNTING INSTRUCTIONS

- STEP 1: Hook the upper clip (B) of the nose deflector into the nose bridge of the goggle.
- STEP 2: Holding it in place, ensure that the bottom clips (B) of the nose deflector engages with the bottom recesses in the goggle frame.
- STEP3: Insert the pins (B) of the nose deflector into the holes located at the bottom of the goggles' frame. Ensure that the nose deflector is securely fastened to the goggle frame after following the above mounting steps. To remove the nose deflector, reverse steps 1,2 and 3. Remove the pins (B), then unclip the bottom clips (B) and thereafter the top clip.(B).

ROLL-OFF SYSTEM: MOUNTING INSTRUCTIONS

- The system consists of an anti-friction wire assembly, roll-off film, dirt strip, and two roll-off canisters.
- STEP 1: With the lens facing you, fit one side of the anti-friction wire onto the pin (C) on the lens - with the flat side facing down onto the lens. Once it is secure, pull the wires flat against the lens and stretch it until the other side clicks onto the pin (C) on the other side. The canisters can be mounted on the frame with the film from a previous usage.
 - STEP 2: With the lens facing you, pull both outrigger to unclip them from the frame. (C)
 - STEP 3: Slide each canister into the recess of the outrigger until you hear a noticeable click. (C)
 - STEP 4: Push the outriggers towards the frame so that they clip in position. Make sure the canister is locked on the string mount. (C)
 - STEP 5: Apply the dirt strip to the top of the lens.




FILM INSTALLATION

- STEP 1: Ensure that the canisters are open. (D)
- STEP 2: Remove the tape from the film roll and expose the first few centimeters. Ensure that the up arrow is pointing in the right direction (D). Insert the film roll into the supply canister. Position the exposed piece of the film under the dirt strip and feed/ pull it across the face of the lens towards the puller side cannister. Replace the door of the supply canister.
- STEP 3: Attach the exposed film end to the puller's side axle, ensuring that the axle is facing the correct way as indicated by the up arrow (D). Attach the film while the axle is outside of the cannister. Place the axle into the puller's side cannister.
- STEP 4: Replace the door of the puller's side cannister. Pull the string once to ensure that the film is securely fastened to the axle and that the film runs smoothly under the dirt strip.

TEAR-OFF INSTALLATION:

- STEP 1: Install the tear-off pin (E) onto the goggle outrigger (click it onto the side of the outrigger).
 - STEP 2: Snap the first film onto the tear off pins (E). Start by clicking it onto A, then B and then C.
 - STEP 3: Snap the second film onto the first two tear-off pins (E).
 - STEP 4: Fold the tear-off tab of the first film back and insert the last hole of this film onto the tear-off pin C.
 - STEP 5: Next, snap the second film onto the tear-off pin C on top of the folded tab of the first film.
- Continue steps 1 to 5 until all the tear-off films have been installed.*

EXPLANATION of MARKINGS:

| SYMBOL | DESCRIPTION |
|---|---|
| Manufacturer | Leatt® |
| Model designation | Velocity 6.5, 6.5 Iriz, 6.5 Roll-Off |
|  | Denotes compliance with the health and safety requirements of Annex II of the European Personal Protective Equipment Regulation 2016/425. |
|  | The recommendation to read the manufacturer's instructions contained in this booklet |
| EN 1938:2010 | Number and the year of the European Standard |
| Anti-Fog | If present, indicates that the lens is equipped with an anti-fog coating. |
| FC:0 | Visual light transmission 80% - 100% (night / twilight conditions) |
| FC:1 | Visual light transmission 43% - 80% (low light conditions) not suitable for night driving or twilight conditions. |
| FC:2 | Visual light transmission 18% - 43% (sunlight conditions) not suitable for night driving or twilight conditions. |
|  | Not suitable for driving and road use. |
| Pupillary distance | 64mm |