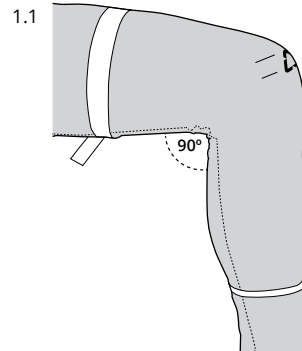




ADJUSTMENT



Fig.1



1.2

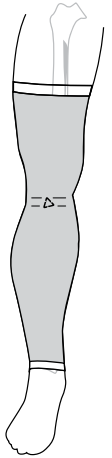
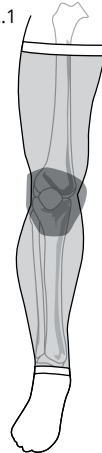


Fig.2

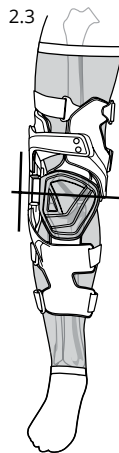
2.1



2.2



2.3



2.4

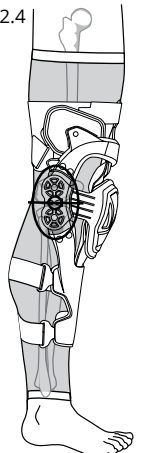


Fig.3

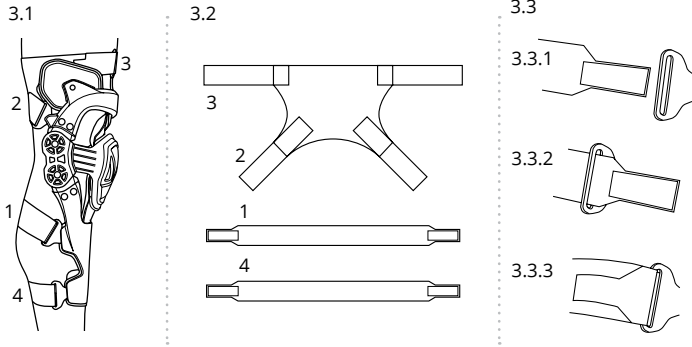


Fig.4

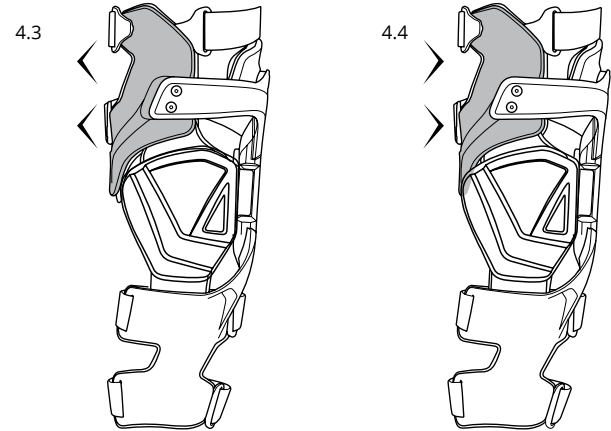
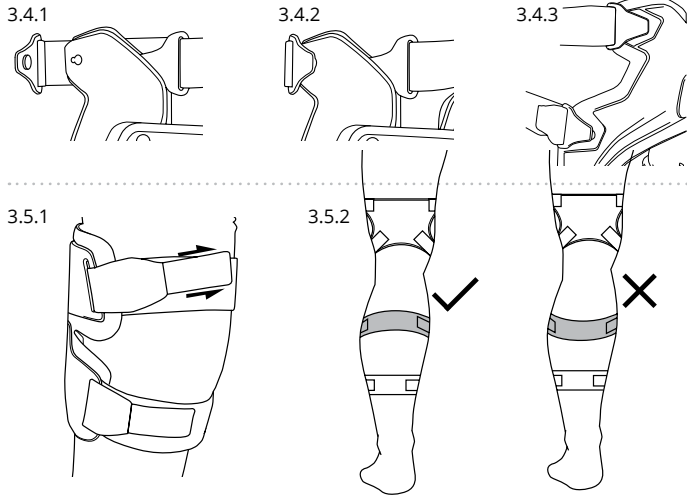
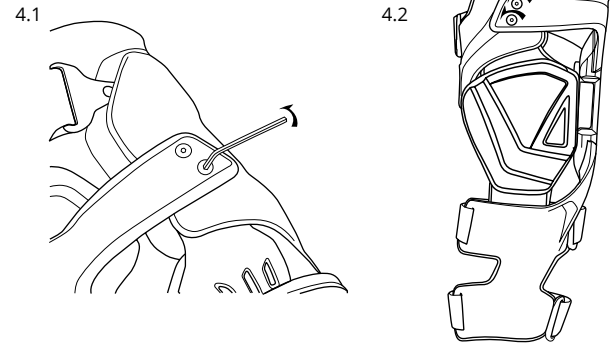


Fig.5

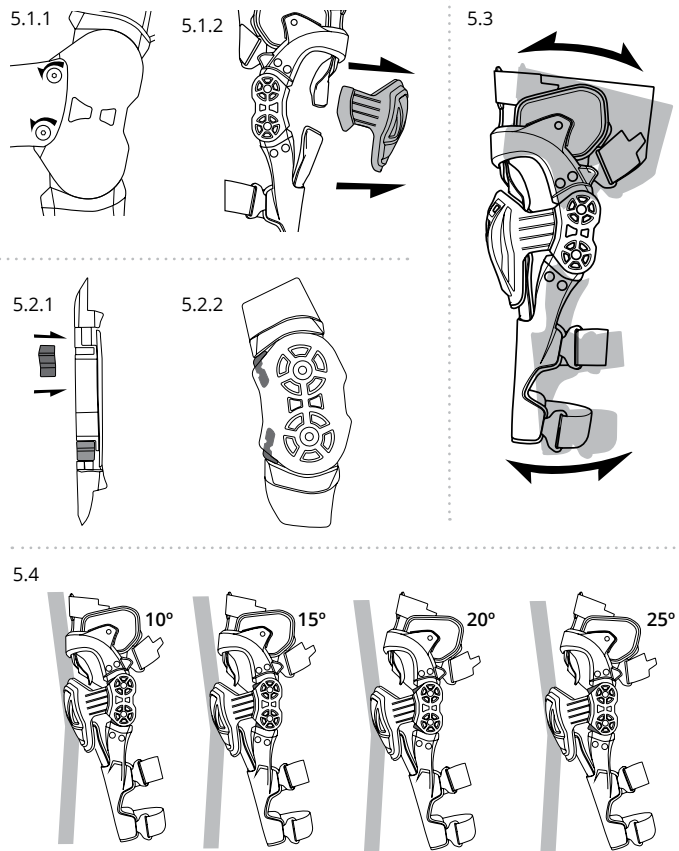


Fig.6

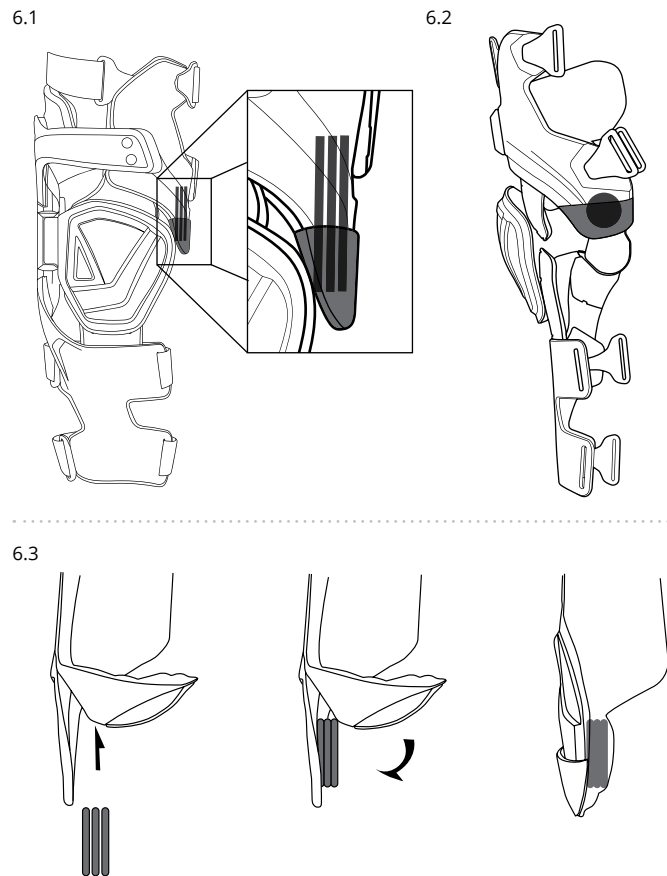


Fig.7

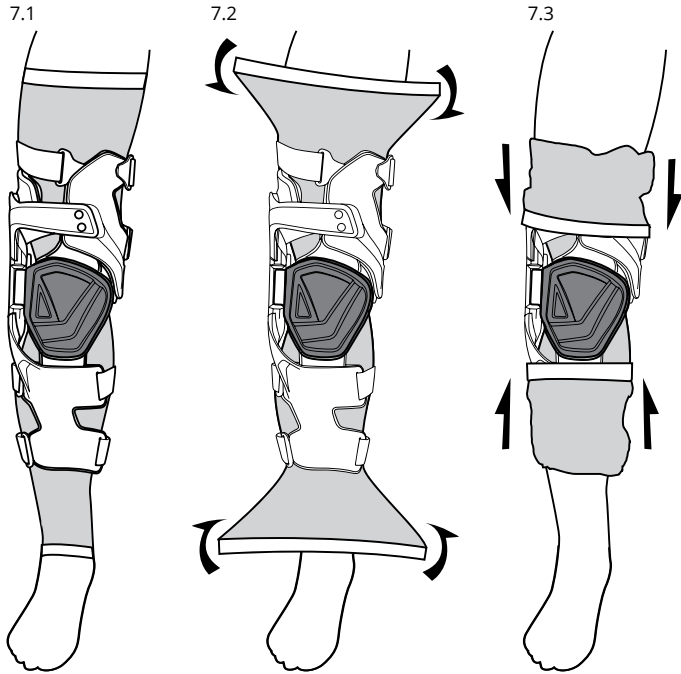
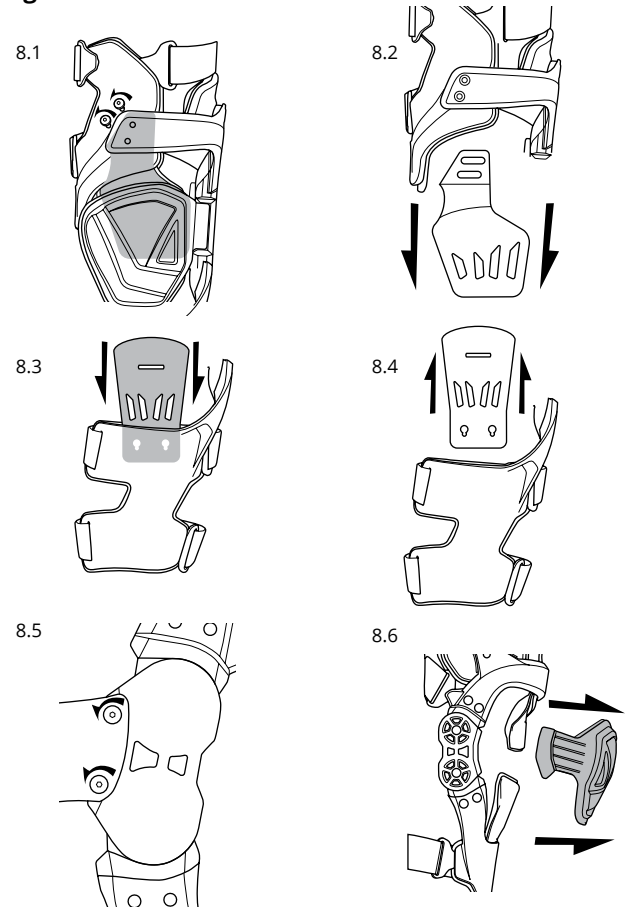


Fig.8



! WARNING

Leatt® Corporation's personal protective equipment is not designed or intended to protect a wearer against serious bodily injuries caused by hard collisions or crashes. Protective equipment such as back or lumbar protectors do not protect against spinal injury. No protective equipment can protect the wearer from all foreseeable impacts.

Fig.1 (p.3) - Sleeve Fitment:

Fit the inner knee sleeve provided with your brace, note the right/left indicator on the sleeve for correct fitment, with the Leatt logo centered over your knee cap.

Fig.2 (p.3) - Knee Brace Positioning**Fig.3 (p.4) - Strap Adjustmet:**

Start with strap 1 and work your way through to strap 4, adjust and fit to a comfortable tolerance, making sure the fittings are correctly clipped into the body of the C Frame Brace

When fitting the calf straps, always make sure the top strap is positioned above the calf to prevent the C Frame Brace from sliding down your leg.

Fig.4 (p.5) - Knee Brace Fitment:

Use the Allen key provided, adjust the top of the C Frame Brace strut to the desired position where fitment is comfortable.

Fig.5 (p.6) - Angle Adjustment:

The degree spacers provided allow you to change the angle of the hinge to prevent lock out and maintain a comfortable riding position. Make sure you use the same degree of spacer at the top and the bottom.

Fig.6 (p.7) - Knee adjustment:

Additional spacers supplied (use 0 to 3 piece per inner knee loading pad) to adjust pressure point inside knee.

Fig.7 (p.8) - Sleeve Fold Over:

Once the C Frame Brace is in place and the fitment feels comfortable, fold the top and bottom of the sleeve over the brace making a secure fit.

This also decreases the chance of the pants catching on the C Frame Brace whilst riding.

Fig.8 (p.9) - Knee Cup Removal

Cleaning



Wipe clean only



Drip dry in shade



Do not iron



Do not machine wash



Do not bleach



Do not tumble dry

Wipe only with a soft damp cloth in gentle soap or mild detergent in cold water, rinse by wiping with a soft cloth damped in cold water and dry with a soft cloth. Comfort padding can be hand washed and air dried.

Common substances applied to this product (solvent, cleaners, hair tonics, etc.) can cause damage that may be invisible to the user and compromise the effectiveness/safety of your Leatt® product. If in any doubt, please contact the manufacturer before cleaning or laundering your protector. Always refer to the material content label on the Leatt® product. None of the materials used in the construction of the product are known to contain anything that is harmful or might cause an allergic reaction or be dangerous to health.

WARRANTY

Your Leatt® product is warranted to be free of defects in materials or manufacturing for one year from date of purchase. Your Leatt® product may break under certain conditions of use, so damage caused by accidents, falls, abuse or misuse is not covered by this limited warranty.

LEATT® CORPORATION EXPRESSLY DISCLAIMS ALL OTHER WARRANTIES, EXPRESS OR IMPLIED, INCLUDING THE WARRANTIES OF MERCHANTABILITY AND FITNESS FOR A PARTICULAR PURPOSE.