



THROTTLE BODY SUPPORT

9929

PARTS INCLUDED

- 1 Throttle Body Support Bracket—Chrome
- 2 1/4"-20 X 11/16" Socket Head Cap Screws
- 1 Installation Instructions

Please read and understand entire instructions before starting installation.

THANK YOU FOR CHOOSING KÜRYAKYN!

IN ORDER TO PROTECT YOU AND OTHERS FROM POSSIBLE INJURY AND/OR PROPERTY DAMAGE OR LOSS, PLEASE PAY CLOSE ATTENTION TO ALL INSTRUCTIONS, WARNINGS, CAUTIONS AND ATTENTION NOTES REGARDING THE USE AND CARE OF THIS PRODUCT.

WARNING! THIS INDICATION ALERTS YOU TO THE FACT THAT IGNORING THE CONTENTS DESCRIBED HEREIN CAN RESULT IN POTENTIAL DEATH OR SERIOUS INJURY.

ATTENTION! This indication alerts you to the fact that ignoring the contents described herein may negatively affect product performance and functionality.

CAUTION! This indication alerts you to the fact that ignoring the contents described herein can result in potential injury or material damage.

TOOLS SUGGESTED

Set of Hex Wrenches, Set of Combination Wrenches

STRICTLY OBSERVE THE FOLLOWING GUIDELINES IN ORDER TO USE THE PRODUCT PROPERLY AND AVOID POTENTIALLY DANGEROUS ACCIDENTS.

STEP 1 Read and understand all steps in the instructions before starting the installation. Park the motorcycle on a hard, level surface and turn off the ignition.

NOTE: REPLACES H-D P/N 27712-08. FITS '08-UP ELECTRA GLIDES, ROAD GLIDES, STREET GLIDES & ROAD KINGS.

NOTE: CAN ALSO BE USED FOR CUSTOM AIR CLEANER APPLICATIONS ON '08-UP CVO TOURING MODELS & '11-UP CVO SOFTAIL MODELS.

WARNING! YOU WILL BE WORKING AROUND THE ENGINE AND EXHAUST SYSTEM DURING INSTALLATION. ENSURE THAT THE ENGINE AND EXHAUST SYSTEM HAVE FULLY COOLED TO PREVENT INJURY.

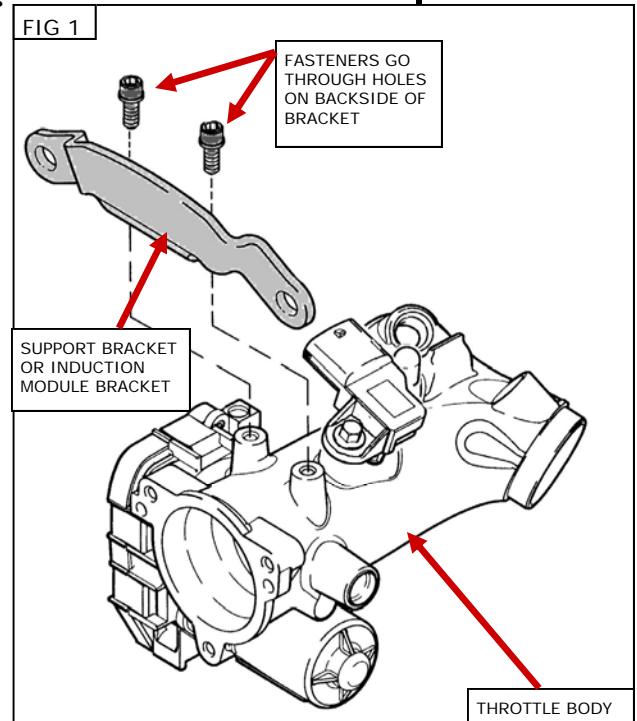
-cont.-

ATTENTION! A factory service manual may be helpful in performing this installation. Do not attempt to perform this installation if you are not confident in your ability to complete all of the steps in the procedure; consult a trained technician.

STEP 2 Remove the air cleaner assembly, mounting hardware, breather bolts and hoses to gain access to the throttle body.

NOTE: Raising the rear of the fuel tank may be helpful for the following steps. Carefully disconnect the fuel line as outlined in the service manual. Remove the rear fuel tank fastener and loosen the front fuel tank fasteners, then raise the rear of the fuel tank and insert a block to hold it in position.

STEP 3 If replacing the OEM black support bracket, remove the two fasteners that attach the black bracket to the throttle body. On models equipped with an Induction Module Bracket (normally CVO models), remove the OEM fasteners that attach the bracket to the throttle body. Set aside, these will not be reused. FIG 1



CAUTION! Be aware of any cables/wires that could potentially be pinched or crushed while installing this product.

STEP 4 Attach the new Chrome Throttle Body Support bracket to the throttle body with the included 1/4"-20 X 11/16" Socket Head Cap Screws. Push the bracket in toward the motor and tighten securely. FIG 1

STEP 5 Reinstall the breather bolts through the large holes in the Chrome Throttle Body Support bracket. Tighten securely. FIG 1

STEP 6 Reinstall the air cleaner assembly and any mounting hardware and hoses removed in Step 2. Tighten securely. Reinstall the fuel tank mounting hardware and the fuel line. Tighten securely. Check the fuel lines carefully for leaks.

ATTENTION! It is the installer's responsibility to ensure that all of the fasteners (including pre-assembled) are tightened before operation of the motorcycle. Kuryakyn will not issue a warranty on components lost due to improper installation. Periodic maintenance may be required.