

INSTALLATION INSTRUCTIONS

SPLINED ADAPTER MOUNT, CHROME

8828

THANK YOU FOR CHOOSING KURYAKYN!

Protect yourself and others from possible injury and property damage or loss. Pay close attention to all instructions, warnings, cautions, and notices regarding the installation, use, and care of this product.

WARNING THIS INDICATION ALERTS YOU TO THE FACT THAT IGNORING THE CONTENTS DESCRIBED HEREIN CAN RESULT IN POTENTIAL DEATH OR SERIOUS INJURY.

CAUTION THIS INDICATION ALERTS YOU TO THE FACT THAT IGNORING THE CONTENTS DESCRIBED HEREIN CAN RESULT IN MINOR OR MODERATE POTENTIAL INJURY.

NOTICE THIS INDICATION ALERTS YOU TO THE FACT THAT IGNORING THE CONTENTS DESCRIBED HEREIN MAY NEGATIVELY AFFECT PRODUCT PERFORMANCE AND FUNCTIONALITY OR DAMAGE THE PRODUCT ITSELF OR THE PRODUCT TO WHICH IT IS BEING ATTACHED.

ENSURE THAT THE FOLLOWING PARTS HAVE BEEN INCLUDED IN THE KIT:

2	Splined Adapter Mounts	1	Hardware Kit
		2	D Spring Washers
		2	10-32 x 1" Set Screw

YOU WILL ALSO NEED:

Set of Hex Wrenches and Needle-Nose Pliers

NOTICE

THESE INSTALLATION INSTRUCTIONS CONTAIN IMPORTANT INFORMATION. ENSURE THE END USER RECEIVES THIS COPY AND IS AWARE OF ITS IMPORTANCE FOR FUTURE USE.

STEP 1 Park the motorcycle on a hard, level surface; turn off the ignition and allow the engine to cool.

WARNING YOU WILL BE WORKING AROUND THE ENGINE AND EXHAUST SYSTEM DURING INSTALLATION. ENSURE THAT THE ENGINE AND EXHAUST SYSTEM HAVE FULLY COOLED TO PREVENT INJURY.

STEP 2 Remove the hardware securing the footpeg to the footpeg mount; set it aside, it will be re-used.

STEP 3 Remove the existing footpegs from the mounts and set them aside, they will not be re-used.

NOTE The setscrew is not needed if a folding peg mount is desired

STEP 4 For Folding Floorboards that require a solid mount: Thread a #10-32 x 1 SSS into the upper hole in the Adapter mount as shown in Pic. 1. Install flush with the back of the adapter.

NOTE The two (2) "D" Spring Washers have been included to take up excessive freeplay and add tension for folding pegs in the "up position". They will not be necessary in some instances. Install the "D" Spring Washers on either side of the Splined Adapter Mount with the flat end of the "D" facing inboard.

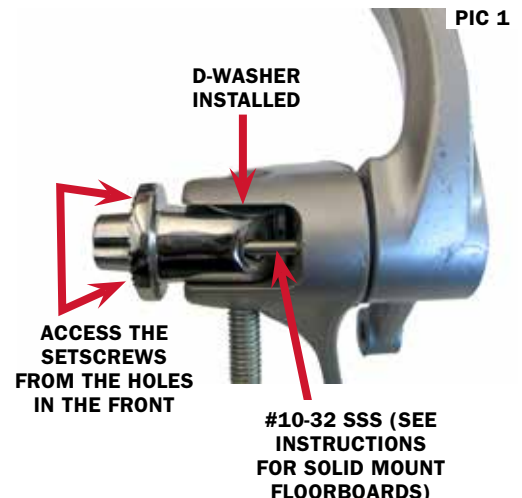
STEP 5 Install the Adapter Mount in the footpeg or floorboard mount on the motorcycle using the hardware removed in Step 2.

NOTE The setscrew is not needed if a folding peg mount is desired

STEP 6 For folding floorboards that require a solid mount: Insert the correct size hex wrench through the top hole in the splined face of the Adapter Mount and turn the setscrews clockwise until they contact the footpeg mount on the motorcycle. This will "lock" the Adapter Mount in place against the footpeg mount on the motorcycle

STEP 7 Install the new footpeg or floorboards on the Adapter Mount. Refer to the instructions included with the new footpegs for more information.

STEP 8 Repeat Steps 1 through 7 for the other side





INSTALLATION INSTRUCTIONS

SPLINED ADAPTER MOUNT, CHROME

8828

-CONTINUED-

NOTICE

IT IS THE INSTALLER'S RESPONSIBILITY TO ENSURE THAT ALL OF THE FASTENERS (INCLUDING PRE-ASSEMBLED) ARE TIGHTENED BEFORE OPERATION OF THE MOTORCYCLE. KURYAKYN WILL NOT WARRANTY COMPONENTS LOST DUE TO IMPROPER INSTALLATION. PERIODIC MAINTENANCE MAY BE REQUIRED.

CAUTION

ENSURE THAT THE INSTALLATION OF THIS PRODUCT DOES NOT INTERFERE WITH THE PROPER OPERATION OF THE MOTORCYCLE BEFORE RIDING.

WARNING

IMPROPER INSTALLATION OR USE OF THIS PRODUCT COULD RESULT IN SERIOUS INJURY OR DEATH.
