



FRONT FOOTPEG ADAPTERS for YAMAHA

8810

PARTS INCLUDED

- 1 Set of Front Footpeg Adapters
- 1 Installation Instructions

Please read and understand entire instructions before starting installation.

THANK YOU FOR CHOOSING KÜRYAKYN!

IN ORDER TO PROTECT YOU AND OTHERS FROM POSSIBLE INJURY AND/OR PROPERTY DAMAGE OR LOSS, PLEASE PAY CLOSE ATTENTION TO ALL INSTRUCTIONS, WARNINGS, CAUTIONS AND ATTENTION NOTES REGARDING THE USE AND CARE OF THIS PRODUCT.

WARNING! THIS INDICATION ALERTS YOU TO THE FACT THAT IGNORING THE CONTENTS DESCRIBED HEREIN CAN RESULT IN POTENTIAL DEATH OR SERIOUS INJURY.

ATTENTION! This indication alerts you to the fact that ignoring the contents described herein may negatively affect product performance and functionality.

CAUTION! This indication alerts you to the fact that ignoring the contents described herein can result in potential injury or material damage.

TOOLS SUGGESTED

Needle Nose Pliers

STRICTLY OBSERVE THE FOLLOWING GUIDELINES IN ORDER TO USE THE PRODUCT PROPERLY AND AVOID POTENTIALLY DANGEROUS ACCIDENTS.

STEP 1 Read and understand all steps in the instructions before starting the installation. Park the motorcycle on a hard, level surface and turn off the ignition.

STEP 2 Remove the hardware securing the footpeg to the footpeg mount. Set the hardware aside for now, it will be re-used.

ATTENTION! Note the location and orientation of return springs (where applicable) before disassembly. FIG 1

STEP 3 Remove the existing footpeg and spring where applicable; set the footpeg and spring aside for now.

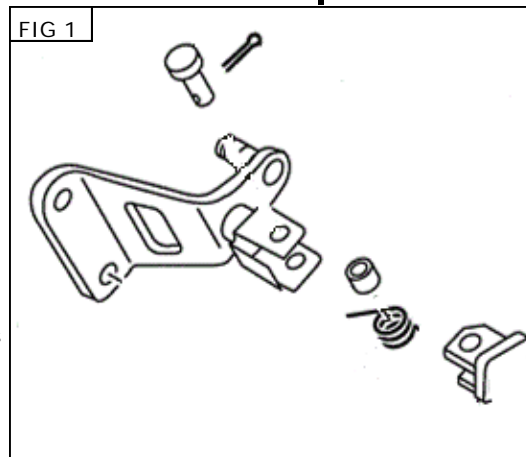
-cont.-

STEP 4 Install the Footpeg Adapter as you would the existing footpeg. Ensure that the squared off end of the Footpeg Adapter is on the bottom when installed. Ensure that the curved end of the spring locates over the Footpeg Adapter.

STEP 5 Install the hardware in the reverse order it was removed in STEP 2.

NOTE: Push down on the spring to install the pivot pin.

ATTENTION! It is the installer's responsibility to ensure that all of the fasteners (including pre-assembled) are tightened before operation of the motorcycle. Küryakyn will not warranty components lost due to improper installation. Periodic maintenance may be required.



STEP 6 Repeat STEP 2 through STEP 5 for the other side.

WARNING! THE INSTALLATION OF AFTERMARKET PEGS MAY AFFECT GROUND CLEARANCE WHEN CORNERING.

WARNING! IMPROPER INSTALLATION OR USE OF THIS PRODUCT COULD RESULT IN SERIOUS INJURY OR DEATH.

CAUTION! Ensure that the installation of this product does not interfere with the proper operation of the motorcycle before riding.

Ride On!

PAGE

2

FRONT FOOTPEG ADAPTERS

INSTALLATION