



FOOTPEG ADAPTER FOR VICTORY 8805

FITS: ALL HAMMER MODELS, FRONT AND REAR; ALL VEGAS, 8-BALL, AND JACKPOT MODELS, FRONT AND REAR; ALL KING PIN MODELS, REAR ONLY. THESE ADAPTERS ARE NOT COMPATIBLE WITH FLOORBOARDS.

PART #	INCLUDED
408805	2 Peg Adapter
208805	2 "D" Spring Washer
308805	1 Installation Instruction

Please read and understand entire instructions before starting installation.

THANK YOU FOR CHOOSING KÜRYAKYN!

PLEASE NOTE

It is the installers' responsibility to make sure all fasteners (including pre-assembled) are tightened before operation of motorcycle. Kuryakyn will not warranty components that are lost due to improper installation. Periodic maintenance may be required.

TOOLS SUGGESTED

Appropriate tool to remove stock footpeg.

PROCEDURE

STEP 1 Remove the OEM footpeg.

STEP 2 Install the new footpeg using the stock hardware. Refer to FIG.1 when installing the "D" spring washer and footpeg.

Ride On!

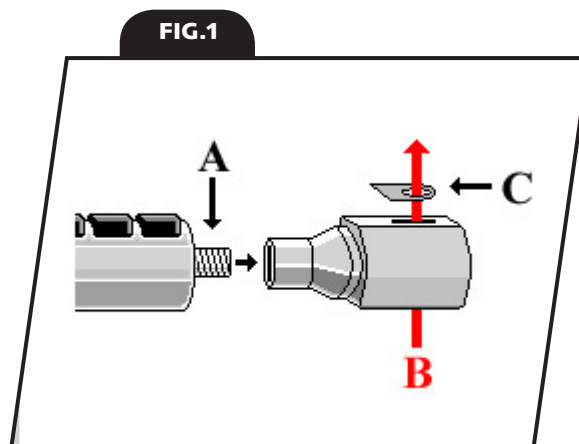


FIG.1 KEY
A - FOOTPEG
B - STOCK MOUNTING HARDWARE
C - "D" SPRING WASHER