

INSTALLATION INSTRUCTIONS

HEATED ISO®-GRIPS FOR ELECTRONIC THROTTLE

6470 CHROME OR 6472 GLOSS BLACK

THANK YOU FOR CHOOSING KURYAKYN!

Protect yourself and others from possible injury and property damage or loss. Pay close attention to all instructions, warnings, cautions, and notices regarding the installation, use, and care of this product.

WARNING THIS INDICATION ALERTS YOU TO THE FACT THAT IGNORING THE CONTENTS DESCRIBED HEREIN CAN RESULT IN POTENTIAL DEATH OR SERIOUS INJURY.

CAUTION THIS INDICATION ALERTS YOU TO THE FACT THAT IGNORING THE CONTENTS DESCRIBED HEREIN CAN RESULT IN MINOR OR MODERATE POTENTIAL INJURY.

NOTICE

THIS INDICATION ALERTS YOU TO THE FACT THAT IGNORING THE CONTENTS DESCRIBED HEREIN MAY NEGATIVELY AFFECT PRODUCT PERFORMANCE AND FUNCTIONALITY OR DAMAGE THE PRODUCT ITSELF OR THE PRODUCT TO WHICH IT IS BEING ATTACHED.

ENSURE THAT THE FOLLOWING PARTS HAVE BEEN INCLUDED IN THE KIT:

- 1 Clutch Side Grip
- 1 Throttle Side Grip
- 1 Harness

YOU WILL ALSO NEED:

Torx wrench set, hex wrench set, utility knife, 80-100 grit sandpaper, adhesive solvent

NOTICE

THESE INSTALLATION INSTRUCTIONS CONTAIN IMPORTANT INFORMATION. ENSURE THE END USER RECEIVES THIS COPY AND IS AWARE OF ITS IMPORTANCE FOR FUTURE USE.

WARNING A FACTORY SERVICE MANUAL WILL BE HELPFUL IN PERFORMING THIS INSTALLATION. DO NOT ATTEMPT TO PERFORM THIS INSTALLATION IF YOU ARE NOT CONFIDENT IN YOUR ABILITY TO COMPLETE ALL OF THE STEPS IN THE PROCEDURE; CONSULT A TRAINED TECHNICIAN. IMPROPER INSTALLATION COULD RESULT IN SERIOUS INJURY OR DEATH.

STEP 1 Read and understand all steps in the instructions before starting the installation. Park the motorcycle on a hard, level surface and turn off the ignition. Let motorcycle cool.

THROTTLE SIDE PROCEDURE

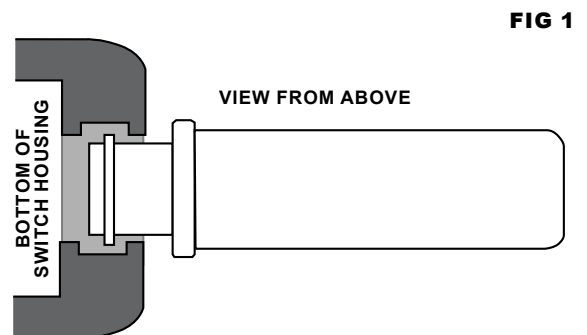
STEP 2 Separate the switch housing by removing the hardware located on the top and bottom of it. Set hardware aside, it will be reused.

Note: You may also have to loosen the master cylinder clamp to allow the switch housing halves to separate.

STEP 3 With the switch housings separated, slide the stock handgrip assembly off the handlebars. It will not be reused.

STEP 4 Refer to FIG 1. Slide on the new grip assembly in the desired orientation making sure the teeth on the inside of the grip assembly are positively engaged in the teeth of the sensor, and the flange is seated inside the switch housing.

STEP 5 Reassemble the switch housings using the hardware that was removed in STEP 2. Tighten the screws on the master cylinder clamp if they were loosened.



INSTALLATION INSTRUCTIONS

HEATED ISO®-GRIPS FOR ELECTRONIC THROTTLE

-CONTINUED-

WARNING

ROTATE THROTTLE AND CHECK THAT IT MOVES FREELY AND RETURNS TO CLOSED BEFORE STARTING BIKE. FAILURE TO PROPERLY ADJUST THE THROTTLE CABLES COULD RESULT IN LOSS OF CONTROL CAUSING SERIOUS INJURY OR DEATH.

CLUTCH SIDE PROCEDURE

NOTE: Refer to your service manual for additional information on the following Steps.

STEP 6 Separate the switch housing by removing the hardware located on the top and bottom of it. Set hardware aside, it will be reused.

Note: You may also have to loosen the clutch control clamp to allow the switch housing halves to separate.

STEP 7 Remove the clutch side grip. A sharp knife may be used to cut the grip lengthwise allowing you to “peel” the stock grip from the handlebar.

STEP 8 Sand the clutch side handlebar surface with 80-100 grit sandpaper or emery cloth to remove any previous glue or rubber residue. This provides a pristine metal surface for the new grip.

STEP 9 With an ammonia based cleaner or similar degreasing agent and a clean rag, wipe off the exposed handlebar.

STEP 10 Refer to FIG 2 and 3. With the wider side of the grip's flange positioned on the bottom, slide the grip onto the handlebar.

STEP 11 Reassemble the switch housing halves and secure them with the screws removed in Step 6. Tighten the clutch control clamp if it was loosened in Step 6.

ELECTRONIC INSTALLATION

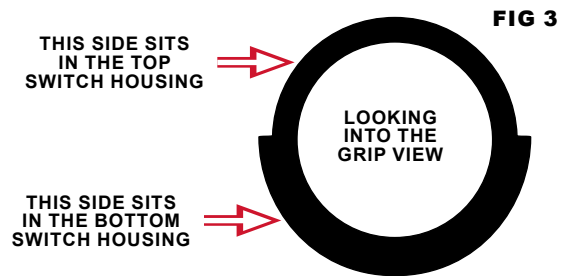
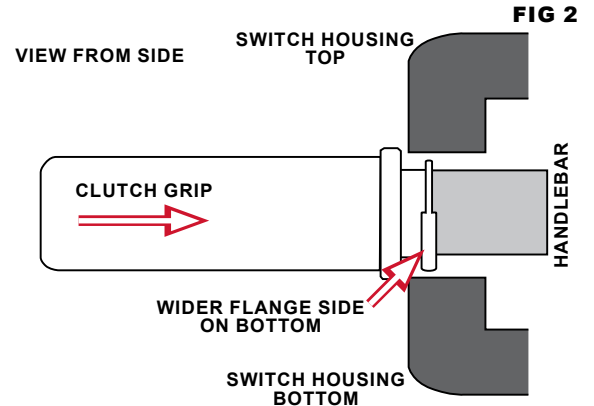
STEP 12 Refer to PIC 2. Locate provided harness. Connect the corresponding plug-ins on the clutch and throttle grip to the harness.

STEP 13 Connect the ground (black) wire to the body of the motorcycle, the engine, or some other grounded source.

STEP 14 Locate an ignition switch power source on your motorcycle. Splice the power (red) wire to the ignition switch power source.

Note: Refer to your motorcycle's service manual for assistance.

STEP 15 Turn motorcycle on and test heated grips for proper operations. There are five (5) different temperature levels, which will be indicated on the switch by five (5) different colors.





INSTALLATION INSTRUCTIONS

HEATED ISO®-GRIPS FOR ELECTRONIC THROTTLE

-CONTINUED-

- STEP 16** Secure wires to the motorcycle; where they won't pinch, pull, or be damaged. Be sure to leave enough length in the throttle grip's wire to allow for full and proper rotation of the grip.

NOTICE

IT IS THE INSTALLER'S RESPONSIBILITY TO ENSURE THAT ALL OF THE FASTENERS (INCLUDING PRE-ASSEMBLED) ARE TIGHTENED BEFORE OPERATION OF THE MOTORCYCLE. KURYAKYN WILL NOT PROVIDE WARRANTY COVERAGE ON PRODUCTS OR COMPONENTS LOST DUE TO IMPROPER INSTALLATION OR LACK OF MAINTENANCE. PERIODIC INSPECTION AND MAINTENANCE ARE REQUIRED ON ALL FASTENERS.
