

INSTALLATION INSTRUCTIONS

PRECISION TRANSMISSION TOP COVER, GLOSS BLACK

6445

THANK YOU FOR CHOOSING KURYAKYN!

Protect yourself and others from possible injury and property damage or loss. Pay close attention to all instructions, warnings, cautions, and notices regarding the installation, use, and care of this product.

WARNING THIS INDICATION ALERTS YOU TO THE FACT THAT IGNORING THE CONTENTS DESCRIBED HEREIN CAN RESULT IN POTENTIAL DEATH OR SERIOUS INJURY.

CAUTION THIS INDICATION ALERTS YOU TO THE FACT THAT IGNORING THE CONTENTS DESCRIBED HEREIN CAN RESULT IN MINOR OR MODERATE POTENTIAL INJURY.

NOTICE THIS INDICATION ALERTS YOU TO THE FACT THAT IGNORING THE CONTENTS DESCRIBED HEREIN MAY NEGATIVELY AFFECT PRODUCT PERFORMANCE AND FUNCTIONALITY OR DAMAGE THE PRODUCT ITSELF OR THE PRODUCT TO WHICH IT IS BEING ATTACHED.

ENSURE THAT THE FOLLOWING PARTS HAVE BEEN INCLUDED IN THE KIT:

- | | | | |
|---|------------------------|---|---------------------------------------|
| 1 | Transmission Top Cover | 1 | Hardware Kit, containing: |
| | | 2 | 1/4"-20 X 1.5" Socket Head Cap Screws |
| | | 2 | 1/4" Flat Washers |

YOU WILL ALSO NEED:

Set of hex wrenches, set of hex bit sockets, in-lbs (Nm) torque wrench

PICTURES SHOWN ARE OF THE CHROME PARTS. INSTALLATION OF THE BLACK PARTS WILL BE THE SAME.

NOTICE THESE INSTALLATION INSTRUCTIONS CONTAIN IMPORTANT INFORMATION. ENSURE THE END USER RECEIVES THIS COPY AND IS AWARE OF ITS IMPORTANCE FOR FUTURE USE.

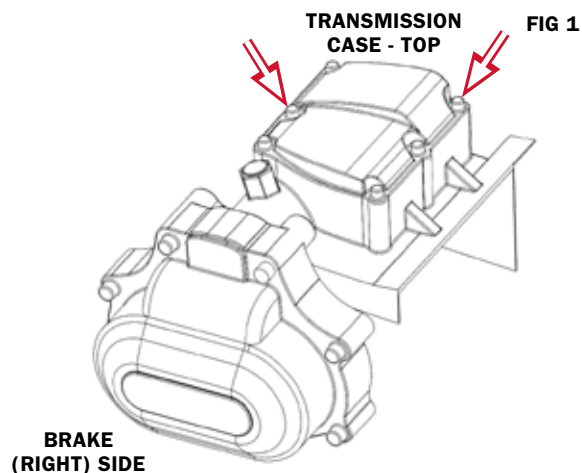
WARNING A FACTORY SERVICE MANUAL WILL BE HELPFUL IN PERFORMING THIS INSTALLATION. DO NOT ATTEMPT TO PERFORM THIS INSTALLATION IF YOU ARE NOT CONFIDENT IN YOUR ABILITY TO COMPLETE ALL OF THE STEPS IN THE PROCEDURE; CONSULT A TRAINED TECHNICIAN. IMPROPER INSTALLATION COULD RESULT IN SERIOUS INJURY OR DEATH.

WARNING ACCIDENTAL VEHICLE START-UP COULD CAUSE DEATH OR SERIOUS INJURY, REMOVE THE MAIN FUSE BEFORE PROCEEDING.



STEP 1 Read and understand all steps in the instructions before starting the installation. Park the motorcycle on a hard, level surface and turn off the ignition. Let motorcycle cool.

STEP 2 Refer to FIG 1. Remove two (2) existing screws from the top of the transmission case; set them aside they will NOT be reused.



INSTALLATION INSTRUCTIONS

PRECISION TRANSMISSION TOP COVER, GLOSS BLACK

6445

-CONTINUED-

STEP 3 Refer to PIC 1 and FIG 2. Locate the provided Transmission Top Cover. Align and place the cover over the top of the transmission case. **BE SURE THE O2 SENSOR WIRE IS POSITIONED IN THE SLOT OF THE COVER ON THE BRAKE (RIGHT) SIDE, AND IS NOT BEING BENT OR PINCHED.**

STEP 4 Locate two (2) provided Socket Head Cap Screws. Thread the washers onto the screws. Fasten the Transmission Top Cover to the top of the transmission case. Fully tighten hardware.

TORQUE VALUE FOR TRANSMISSION COVER SCREWS:
144-156 IN-LBS (16.3-17.6 NM)

STEP 5 Reinstall main fuse.

NOTICE

IT IS THE INSTALLER'S RESPONSIBILITY TO ENSURE THAT ALL OF THE FASTENERS (INCLUDING PRE-ASSEMBLED) ARE TIGHTENED BEFORE OPERATION OF THE MOTORCYCLE. KURYAKYN WILL NOT PROVIDE WARRANTY COVERAGE ON PRODUCTS OR COMPONENTS LOST DUE TO IMPROPER INSTALLATION OR LACK OF MAINTENANCE. PERIODIC INSPECTION AND MAINTENANCE ARE REQUIRED ON ALL FASTENERS.

FIG 2

