

INSTALLATION INSTRUCTIONS

ROAD THUNDER SOUND BAR PLUS BY MTX, SATIN SILVER

2719

THANK YOU FOR CHOOSING KURYAKYN!

Protect yourself and others from possible injury and property damage or loss. Pay close attention to all instructions, warnings, cautions, and notices regarding the installation, use, and care of this product.

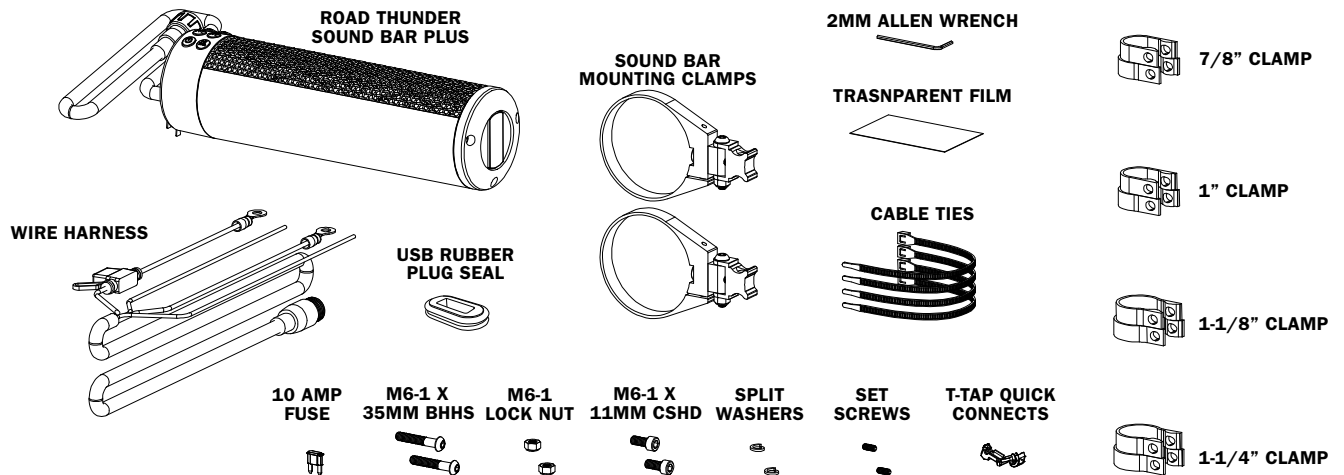
WARNING THIS INDICATION ALERTS YOU TO THE FACT THAT IGNORING THE CONTENTS DESCRIBED HEREIN CAN RESULT IN POTENTIAL DEATH OR SERIOUS INJURY.

CAUTION THIS INDICATION ALERTS YOU TO THE FACT THAT IGNORING THE CONTENTS DESCRIBED HEREIN CAN RESULT IN MINOR OR MODERATE POTENTIAL INJURY.

NOTICE THIS INDICATION ALERTS YOU TO THE FACT THAT IGNORING THE CONTENTS DESCRIBED HEREIN MAY NEGATIVELY AFFECT PRODUCT PERFORMANCE AND FUNCTIONALITY OR DAMAGE THE PRODUCT ITSELF OR THE PRODUCT TO WHICH IT IS BEING ATTACHED.

ENSURE THAT THE FOLLOWING PARTS HAVE BEEN INCLUDED IN THE KIT:

- | | | | |
|---|---|---|--------------------------------------|
| 1 | Road Thunder Sound Bar Plus with Wire Harness | 1 | Hardware Kit, containing: |
| 2 | Sound Bar Mounting Clamps | 2 | M6-1.0 X 35MM Button Head Hex Screws |
| 2 | 7/8" Clamps | 2 | M6-1.0 Lock Nut w/Washers |
| 2 | 1" Clamps | 2 | M6-1.0 X 11MM Cap Screw Hex Drive |
| 2 | 1-1/8" Clamps | 2 | M6 Split Washers |
| 2 | 1-1/4" Clamps | 2 | M4-0.7 X 10MM Set Screws |
| 1 | USB Rubber Plug Seal | 1 | 2MM Allen Wrench |
| 1 | Transparent Film | 1 | 10 Amp Mini Fuse |
| | | 1 | T-Tap Quick Connect Female |
| | | 4 | Cable Ties |



YOU WILL ALSO NEED:

Metric Hex, Allen wrenches, pliers

CHANGES OR MODIFICATIONS TO THIS UNIT NOT EXPRESSLY APPROVED BY THE PARTY RESPONSIBLE FOR COMPLIANCE COULD VOID THE USER'S AUTHORITY TO OPERATE THE EQUIPMENT.

NOTICE THESE INSTALLATION INSTRUCTIONS CONTAIN IMPORTANT INFORMATION. ENSURE THE END USER RECEIVES THIS COPY AND IS AWARE OF ITS IMPORTANCE FOR FUTURE USE.

WHEN CONNECTING POWER AND GROUND WIRES ENSURE THAT THE RED POWER WIRE IS FUSED AT THE POINT WHERE IT IS CONNECTED TO THE VEHICLE'S BATTERY. FAILURE TO DO SO CAN RESULT IN DAMAGE TO THE VEHICLE IF A SHORT CIRCUIT DEVELOPS BETWEEN THE VEHICLE CONNECTION POINT AND THE PRODUCT.

INSTALLATION INSTRUCTIONS

ROAD THUNDER SOUND BAR PLUS BY MTX, SATIN SILVER

2719

-CONTINUED-

INTRODUCTION

Thank you for purchasing this Kuryakyn Road Thunder Sound Bar Plus by MTX that is designed to work with most Bluetooth enabled devices including iPhone® and Android® smartphones and tablets. This easy to install and use, all in one unit is capable of transforming your Bluetooth enabled mobile device into the center of your vehicle's audio system. It is designed to mount on a variety of bars between 7/8" and 1-1/4". Congratulations and enjoy the ultimate audio experience!

FEATURES

- Two 2" x 3" full range speakers and four 1" high frequency tweeters
- All-weather construction for use in almost any environment
- Integrated Bluetooth receiver
- Auxiliary input for connecting devices via 3.5mm cable
- Auxiliary output for connecting an external amplifier or additional sound bar via 3.5mm cable
- Universal mounting clamps fit bars between 7/8" and 1-1/4"
- Power, ground, ignition wire, and 12v trigger output included for easy installation
- Automated Bluetooth pairing via NFC
- 1.0 Amp USB charging port

INSTALLATION

The Road Thunder Sound Bar Plus can be used with any 12-volt battery and can be mounted to a variety of bars using the included hardware. The unit has four wires in its wiring pigtail. The red wire, hot, should be directly connected to the vehicles positive battery terminal. The black wire, ground, should be connected directly to the vehicle's chassis where paint has been removed or the negative terminal on the battery. Use the included T-Tap Quick Connect Female connector and install directly onto the ACC/Key ignition wire on the motorcycle using a pair of pliers. Connect the Quick Connect Male connector, located on the orange wire, and the T-Tap Quick Connect Female together. The blue wire, optional output, can be used to turn on additional amplifiers.

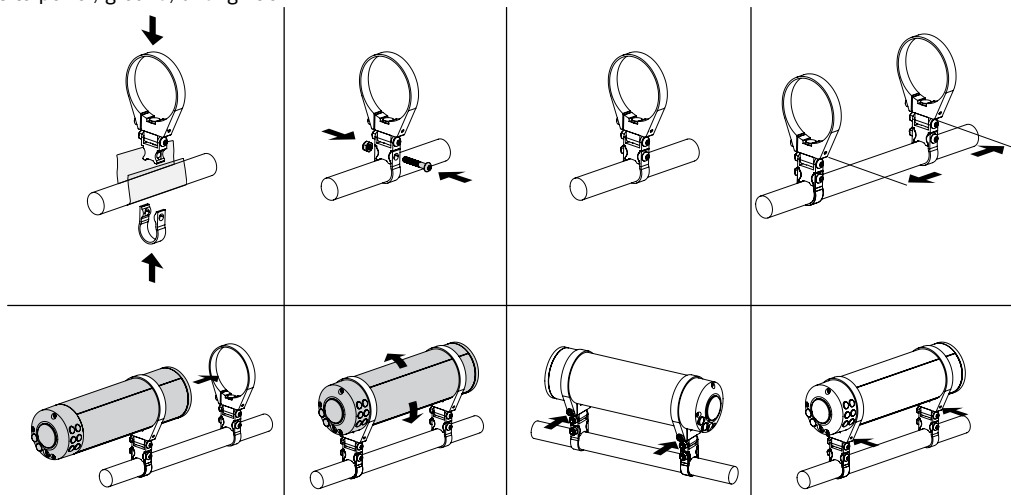
The unit features fully adjustable clamps for mounting to bars between 7/8" and 1-1/4". The clamps can be used to mount to many styles of handlebar and roll bar systems. The included brackets are versatile, so mounting to angled bars is possible.

SCENARIO 1 - MOUNT CLAMPS TO HANDLEBAR FIRST, THEN INSTALL SOUND BAR.

- Choose the correct size strap clamp for the handlebars.

Note: placing the transparent film between the strap clamp and handlebar will reduce the possibility of scratching the handlebars during installation.

- Assemble mid-section to bottom bracket using included 5mm Allen screw and 10mm hex nut.
- Ensure that the spacing between the brackets is between 3" and 6.75".
- Slide the sound bar into the brackets from the left side, so the brackets can clear the buttons without damaging them.
- Rotate the sound bar so the speakers are directed at the rider's head.
- Tighten the 5mm Allen screws to lock the sound bar in place.
- Tighten the 2mm set screws.
- Connect wires to power, ground, and ignition.



INSTALLATION INSTRUCTIONS

ROAD THUNDER SOUND BAR PLUS BY MTX, SATIN SILVER

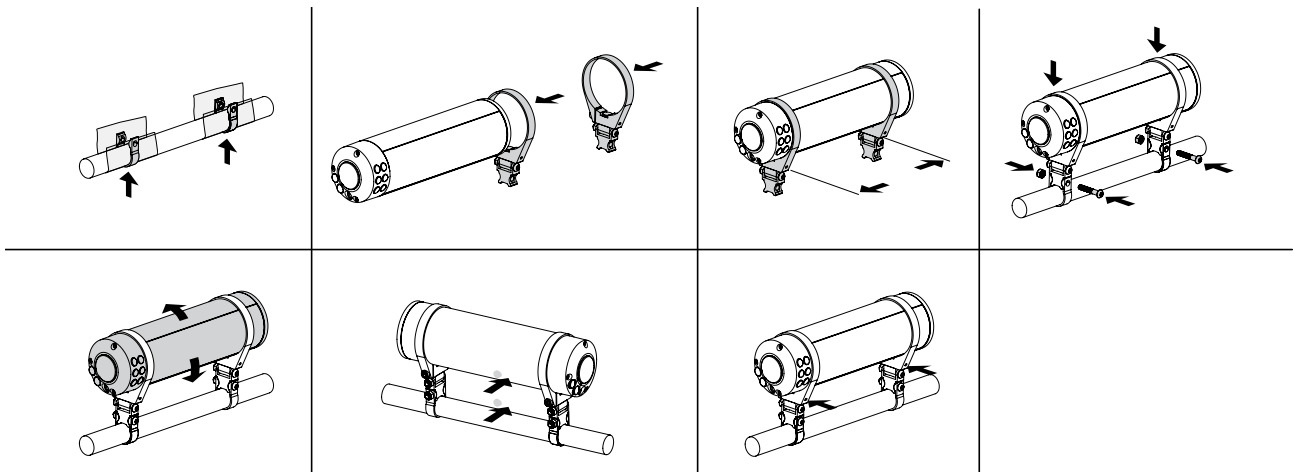
2719

-CONTINUED-

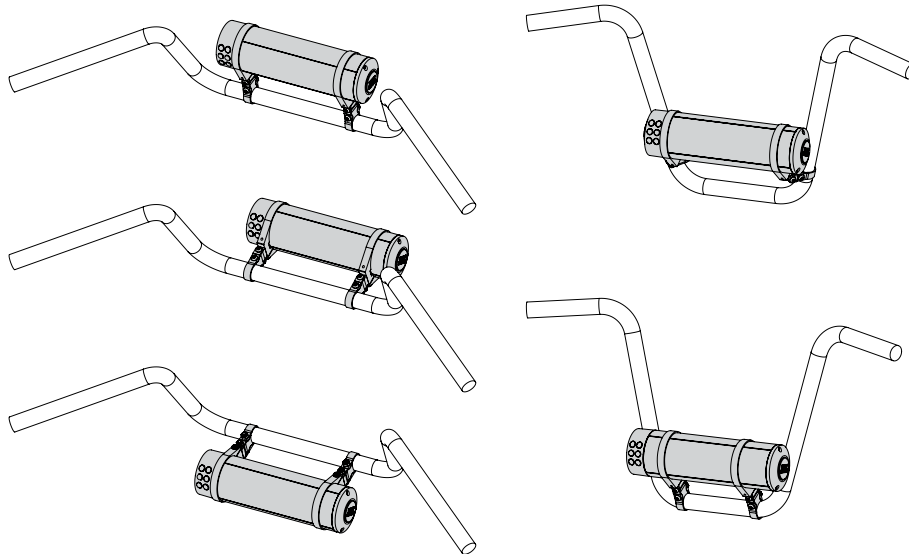
INSTALLATION

SCENARIO 2 - INSTALL SOUND BAR, THEN MOUNTS CLAMPS TO HANDLEBAR.

- Choose the correct size strap clamp for the handlebars.
- Note: Placing the transparent film between the strap clamp and handlebar will reduce the possibility of scratching the handlebars during installation.*
- Slide the sound bar into the brackets from the left side, so the brackets can clear the buttons without damaging them.
- Ensure that the spacing between the brackets is between 3" and 6.75".
- Assemble mid-section to bottom bracket using included 5mm Allen Screw and 10mm Hex Nut.
- Rotate the sound bar so the speakers are directed at the rider's head.
- Tighten the 5mm Allen Screws to lock the sound bar in place.
- Tighten the 2mm Set Screws.
- Connect wires to power, ground, and ignition.



ORIENTATION EXAMPLES



INSTALLATION INSTRUCTIONS

ROAD THUNDER SOUND BAR PLUS BY MTX, SATIN SILVER

2719

-CONTINUED-

ELECTRICAL OPERATION

- STEP 1** Tap the Power button to turn the unit on. (Power, Ground, and Ignition wire need to be connected to a 12V power source.)
- STEP 2** Tap the Power button to switch modes between Bluetooth and AUX.
- STEP 3** Hold the Power button for 2 seconds to turn the unit Off.
- STEP 4** The integrated fuse and ring terminals allow for easy wire connection to a 12V power source.
- STEP 5** The remote turn on (blue wire) only operates when the unit is powered on.
Note: The indicator light will illuminate Blue when in Bluetooth mode and Green when in AUX mode.

OPERATION

FOLLOW THESE STEPS TO UTILIZE THE BLUETOOTH FUNCTIONALITY USING A BLUETOOTH ENABLED DEVICE:

- STEP 1** Power the unit On by tapping the Power button once.
- STEP 2** Select Bluetooth by tapping the Power button until it blinks Blue.
- STEP 3** Select "MTX Sound Bar" from the menu on your Bluetooth enabled device. The unit will power on in Bluetooth mode first when it is turned on by tapping. If the Ignition wire is disconnected, (vehicle is turned off and then turned on) the unit will revert back to the previous Bluetooth or AUX setting.
- STEP 4** Choose "Pair" when prompted.
- STEP 5** Once "Paired" the unit will be able to play audio from your Bluetooth device.
The front panel control buttons will control track forward/back and volume up/down in this mode. The Play/Pause button will mute the output and the LED indicator will blink Blue when in Mute mode.

FOLLOW THESE STEPS TO UTILIZE BLUETOOTH IN A NFC (NEAR FIELD COMMUNICATION) ENABLED DEVICE:

- STEP 1** Power the unit On by tapping the Power button once.
- STEP 2** Select Bluetooth by tapping the Power button until it blinks Blue.
- STEP 3** Tap the NFC enabled device on the (left) side of the enclosure (marked by NFC label).
- STEP 4** Choose "Pair" when prompted.
- STEP 5** Once "Paired" the unit will be able to play audio from your NFC device.

FOLLOW THESE STEPS TO UTILIZE AN AUXILIARY INPUT DEVICE:

- STEP 1** Power the unit On by tapping the Power button once.
- STEP 2** Select Auxiliary by tapping the Power button until it blinks Green.
- STEP 3** Connect an audio device to the AUX input using the "Green" 3.5mm input on the side of the unit. The LED will illuminate Green, and will blink Green when in mute mode.
The front panel control buttons will adjust the Volume up/down in this mode. The Play/Pause button will mute the audio output and the LED indicator will blink Green when in Mute mode.

USING THE AUXILIARY OUTPUT. OUTPUT MARKED ON (LEFT) SIDE OF ENCLOSURE.

- STEP 1** Auxiliary out is a variable output that allows connection to a secondary audio device, whether it is an external amplifier connected to speakers or subwoofer.

INSTALLATION INSTRUCTIONS

ROAD THUNDER SOUND BAR PLUS BY MTX, SATIN SILVER

2719

-CONTINUED-

- STEP 2** The Road Thunder Sound Bar Plus can be used with a second Road Thunder Sound Bar Plus unit. For the best audio performance, the second unit connected via Auxiliary should have the volume set to the max.
- STEP 3** The blue wire on the wire harness can be used as a remote turn on for the second audio device.

CONTROLLING THE VOLUME

The LED indicator light will blink in both Bluetooth and AUX modes at max volume.

USB CHARGING PORT

- STEP 1** Place USB rubber plug seal onto desired USB cord.
- STEP 2** Plug USB cord into USB port located on the side of the Road Thunder Sound Bar Plus. This is a charging port only, it is **NOT** an audio input.