

INSTALLATION INSTRUCTIONS

ORBIT VISION 7" LED HEADLIGHT

2460

THANK YOU FOR CHOOSING KURYAKYN!

Protect yourself and others from possible injury and property damage or loss. Pay close attention to all instructions, warnings, cautions, and notices regarding the installation, use, and care of this product.

WARNING THIS INDICATION ALERTS YOU TO THE FACT THAT IGNORING THE CONTENTS DESCRIBED HEREIN CAN RESULT IN POTENTIAL DEATH OR SERIOUS INJURY.

CAUTION THIS INDICATION ALERTS YOU TO THE FACT THAT IGNORING THE CONTENTS DESCRIBED HEREIN CAN RESULT IN MINOR OR MODERATE POTENTIAL INJURY.

NOTICE THIS INDICATION ALERTS YOU TO THE FACT THAT IGNORING THE CONTENTS DESCRIBED HEREIN MAY NEGATIVELY AFFECT PRODUCT PERFORMANCE AND FUNCTIONALITY OR DAMAGE THE PRODUCT ITSELF OR THE PRODUCT TO WHICH IT IS BEING ATTACHED.

ENSURE THAT THE FOLLOWING PARTS HAVE BEEN INCLUDED IN THE KIT:

- | | | | |
|---|-----------------------------------|---|--|
| 1 | Headlight with White Halo | 1 | Hardware Kit, containing: |
| 1 | Headlight Mounting Bracket | 3 | Springs |
| 1 | Headlight Mounting Bracket Bottom | 3 | M6 X 1.0 X 35MM Button Socket Head Cap Screws |
| | | 2 | M8 X 1.25 X 10MM Button Socket Head Cap Screws |
| | | 2 | 8MM Split Washers |
| | | 1 | Self Tapped Screw |

YOU WILL ALSO NEED:

Hex wrench set, Phillips screw driver, wire stripper, electrical and masking tape

NOTICE THESE INSTALLATION INSTRUCTIONS CONTAIN IMPORTANT INFORMATION. ENSURE THE END USER RECEIVES THIS COPY AND IS AWARE OF ITS IMPORTANCE FOR FUTURE USE.

STEP 1 Read and understand all steps in the instructions before starting the installation. Park the motorcycle on a hard, level surface and turn off the ignition. Let motorcycle cool. Remove main fuse.

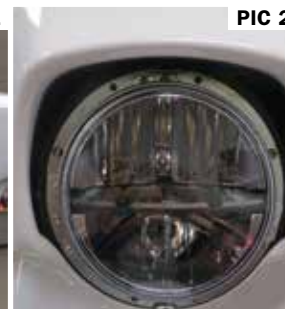
WARNING THE END USER'S SAFETY DEPENDS UPON PROPER INSTALLATION OF THIS PRODUCT. IF A STEP IN THESE INSTRUCTIONS IS NOT WITHIN YOUR CAPABILITIES OR YOU DO NOT HAVE THE CORRECT TOOLS, HAVE YOUR DEALER PERFORM THE PROCEDURE. IMPROPER INSTALLATION OF THIS PRODUCT COULD RESULT IN DEATH OR SERIOUS INJURY.

ACCIDENTAL VEHICLE START-UP COULD CAUSE DEATH OR SERIOUS INJURY, REMOVE THE MAIN FUSE BEFORE PROCEEDING.

NOTICE AVOID DAMAGE TO THE MOTORCYCLE. PROTECT PAINTED SURFACES WITH A SOFT CLOTH OR BLANKET

STEP 2 Remove the headlight trim. Set trim and hardware aside. Hardware will not be reused, but the trim will.

Note: Headlight trim and assembly will vary. Refer to motorcycle service manual for assistance.



INSTALLATION INSTRUCTIONS

ORBIT VISION 7" LED HEADLIGHT

2460

-CONTINUED-

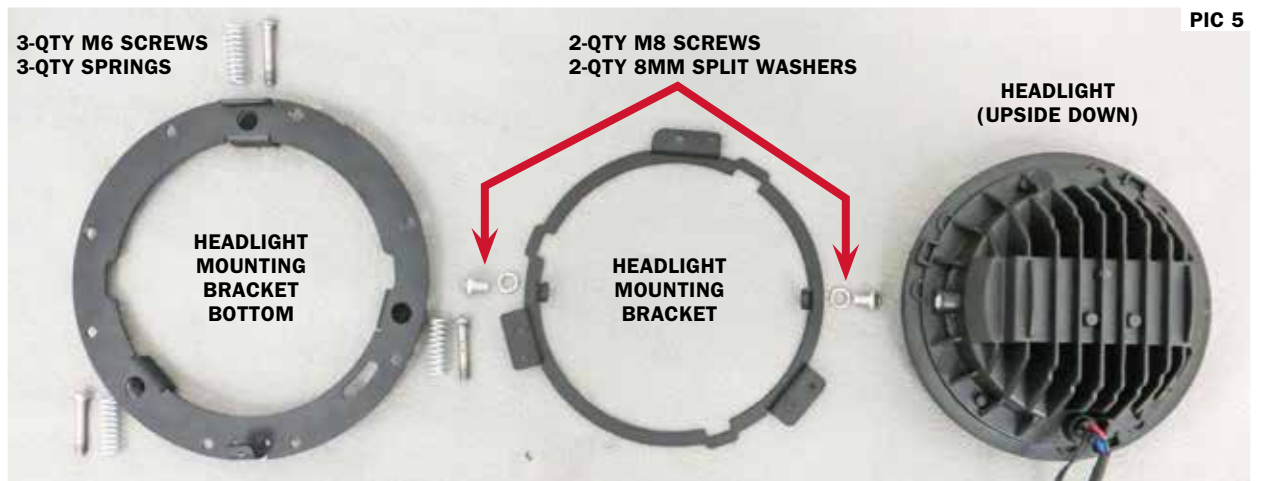
- STEP 3** Refer to PIC 3 and 4. Remove the hardware that is holding the existing headlight in place, and set it aside until later. Gently take the headlight out, disconnect the wires, and set light aside. It will not be reused.

Note: Headlight attachment and assembly will vary. Refer to motorcycle service manual for assistance.

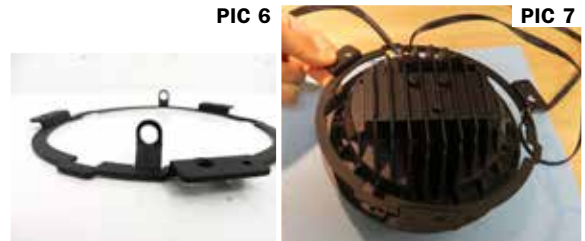


- STEP 4** Refer to PIC 5. Locate Orbit Headlight, Headlight Mounting Bracket, Headlight Mounting Bracket Bottom, two (2) M8 Screws, two (2) 8MM Split Washers, three (3) M6 Screws, and three (3) Springs. Apply loc-tight to all screw threads.

Place on a flat clean surface, with the headlight upside down, as seen in PIC 5.



- STEP 5** Refer to PIC 6 and 7. With the brackets of the Headlight Mount Bracket facing up, feed the wires of the headlight through the bracket and place it on top of the headlight.



- STEP 6** Refer to PIC 8. Align the two inner brackets of the Headlight Mounting Bracket with the holes on each side of the Headlight. Apply loc-tight to M8 screw threads. Fasten the Mounting Bracket to the Headlight by placing a 8MM split washer on each of the M8 screws and inserting them through the aligned side holes, one on each side. Fully tighten hardware.



INSTALLATION INSTRUCTIONS

ORBIT VISION 7" LED HEADLIGHT

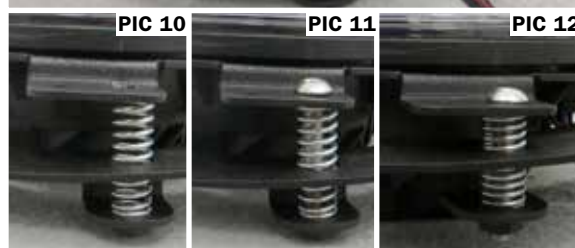
2460

-CONTINUED-

STEP 7 Refer to PIC 9. Locate the Mounting Bracket Bottom. With the protruding bracket side placed down on a flat surface, feed the headlight wire through the mount and place the headlight in the mount right side up.



STEP 8 Refer to PIC 10 through 12. Align the bracket holes of the two mounts. On the Bottom Mounting Bracket, place a spring into each hole with a bracket on the underside. Apply loc-tight to M6 screw threads. Place a M6 screw in each of the holes of the Mounting Bracket attached to the headlight.



Press the two brackets together, and lightly tighten the screw until brackets are fastened together.

STEP 9 FOR '14-UP HARLEY DAVIDSON ELECTRA GLIDES, STREET GLIDES, AND TRIKES

Refer to 13. Wiring Adapter (P/N 5487 sold separately) needed.

Connect the 4-Pin Wiring Adapter plug to motorcycle's headlight DC receptacle.



FOR '14-UP HARLEY DAVIDSON ROAD KINGS

Refer to PIC 14. Wiring Adapter (P/N 5487 sold separately) needed.

Cut and remove the 4-Pin plug. Splice Wiring Adapter's wires to motorcycle's headlight wires.



FOR ALL OTHER HARLEY DAVIDSON MOTORCYCLES - SKIP TO STEP 10

STEP 10 Refer to PIC 15 FOR HARLEYS USING THE WIRE ADAPTER. Locate the red and black wires attached to the headlight. Splice the red wire of the headlight with the blue wire of the Wiring Adapter, and the black wire with the black wire. Wrap wires in electrical tape or cover with wire connector cap.



FOR ALL OTHER HARLEYS. Locate switched power wires and splice red and black headlight wires with them. Refer to service manual for assistance.

INSTALLATION INSTRUCTIONS

ORBIT VISION 7" LED HEADLIGHT

2460

-CONTINUED-

STEP 11 Refer to PIC 17 and 18. Connect the Headlight's three blade plug into the outlet attached to the Wire Adapter, or OEM headlight outlet.



STEP 12 Reinstall main fuse, turn ignition on, and test light. Turn ignition off after testing.

STEP 13 Refer to PIC 19 and 20. Tuck wiring into headlight housing. Align the headlight bracket assembly so that "DOT" is readable and is positioned on the bottom of the light. Place the assembly on the motorcycle. Use the OEM hardware that was removed in Step 3 to fasten the headlight to the motorcycle.



STEP 14 ADJUSTING HEADLIGHT AIM

Refer to FIG 1. Choose a wall that is in minimal light. Park motorcycle on flat surface perpendicular and 25ft away from the wall, measuring from the motorcycle's front axle to the wall. Using masking tape and a level, create a vertical line on the wall. With the motorcycle positioned up right measure the distance from the ground to the center of the high beam bulb. Take that measurement and subtract 2 inches from it. Using that final measurement create a horizontal line over the vertical line on the wall.

The headlight is aligned when the hot spot of the light beam is centered over the intersection of the two lines. Verify the headlight's alignment and adjust it if necessary.

Refer to PIC 21 and 22. Adjust the aim of the headlight by loosening or tightening the three spring loaded screws attaching the two headlight brackets together.

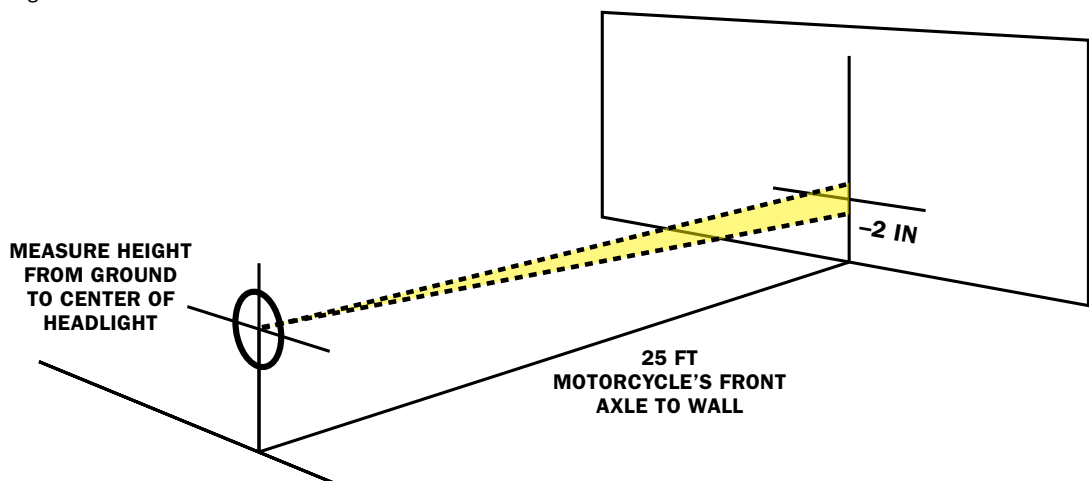


FIG 1

INSTALLATION INSTRUCTIONS

ORBIT VISION 7" LED HEADLIGHT

2460

-CONTINUED-

- STEP 15** Refer to PIC 21. Reinstall headlight trim, using the trim that was removed in Step 2, and the provided Self Tapped Screw.



- WARNING** VISIBILITY IS A MAJOR CONCERN FOR MOTORCYCLISTS. A LIGHT MALFUNCTION COULD RESULT IN DEATH OR SERIOUS INJURY. ENSURE PROPER LIGHT OPERATION BEFORE RIDING THE MOTORCYCLE.

- NOTICE** IT IS THE INSTALLER'S RESPONSIBILITY TO ENSURE THAT ALL OF THE FASTENERS (INCLUDING PRE-ASSEMBLED) ARE TIGHTENED BEFORE OPERATION OF THE MOTORCYCLE. KURYAKYN WILL NOT PROVIDE WARRANTY COVERAGE ON PRODUCTS OR COMPONENTS LOST DUE TO IMPROPER INSTALLATION OR LACK OF MAINTENANCE. PERIODIC INSPECTION AND MAINTENANCE ARE REQUIRED ON ALL FASTENERS.



LIMITED WARRANTY

Kuryakyn warrants that any Kuryakyn products sold hereunder, shall be free of defects in materials & workmanship for a period of one (1) year from the date of purchase by the consumer excepting the following provisions:

1. Kuryakyn shall have no obligation in the event the customer is unable to provide a receipt showing the date the customer purchased the product(s).
2. The product must be properly installed, maintained & operated under normal conditions.
3. Kuryakyn shall not be liable for any consequential & incidental damages, including labor & paint, resulting from failure of a Kuryakyn product, failure to deliver, delay in delivery, delivery in nonconforming condition, or for any breach of contract or duty between Kuryakyn & a customer.
4. Kuryakyn products are often intended for use in specific applications. Kuryakyn makes no warranty if a Kuryakyn product is used in applications other than intended.
5. Kuryakyn electrical products are warranted for one (1) year from the date of purchase by the consumer. L.E.D.'s contained in components of Kuryakyn products will be warranted for defects in materials & workmanship for 3 years from the date of purchase whereas all other components shall be warranted for one (1) year.
6. All warranty claims must be directed to the place of purchase. Merchandise sold through internet auction sites or any other unauthorized reseller shall not carry a Kuryakyn warranty. If unsure, please contact the place of purchase to verify they are an authorized Kuryakyn reseller.