



REFLECTIVE SMOKE SADDLESHIELDS 1186

PARTS INCLUDED

- 1 SaddleShield, Left
- 1 SaddleShield, Right
- 1 Mounting Bracket, Front
- 2 Mounting Bracket, Rear
- 1 Hardware Kit, including:
 - 4 #10-24 x 1/2" BSCS Fastener, Stainless
 - 4 #10-24 High Crown Acorn Nut, Chrome
 - 4 #10 Flat Washer, Stainless
 - 4 #10 Split Lock Washers, Stainless
- 1 Installation Instructions

Please read and understand entire instructions before starting installation.

THANK YOU FOR CHOOSING KÜRYAKYN!

IN ORDER TO PROTECT YOU AND OTHERS FROM POSSIBLE INJURY AND/OR PROPERTY DAMAGE OR LOSS, PLEASE PAY CLOSE ATTENTION TO ALL INSTRUCTIONS, WARNINGS, CAUTIONS AND NOTICES REGARDING THE USE AND CARE OF THIS PRODUCT.

WARNING THIS INDICATION ALERTS YOU TO THE FACT THAT IGNORING THE CONTENTS DESCRIBED HEREIN CAN RESULT IN POTENTIAL DEATH OR SERIOUS INJURY.

NOTICE This indication alerts you to the fact that ignoring the contents described herein may negatively affect product performance and functionality.

NOTICE IF INSTALLING THIS PRODUCT FOR ANOTHER PARTY, PLEASE MAKE SURE THEY RECEIVE THIS COPY OF THE INSTALLATION INSTRUCTIONS SO THEY ARE AWARE OF THE IMPORTANT INFORMATION CONTAINED IN THEM.

TOOLS SUGGESTED

Set of Torx Wrenches, Set of Hex Wrenches, Socket Set and Ratchet

STRICTLY OBSERVE THE FOLLOWING GUIDELINES IN ORDER TO USE THE PRODUCT PROPERLY AND AVOID POTENTIALLY DANGEROUS ACCIDENTS.

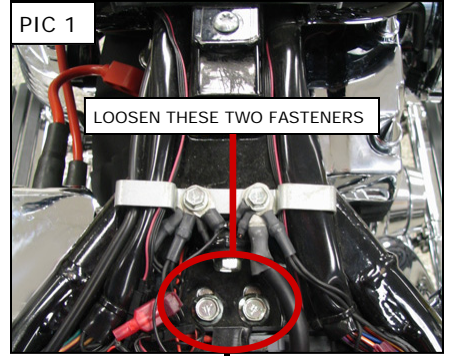
STEP 1 Read and understand all steps in the instructions before starting the installation. Park the motorcycle on a hard, level surface and turn off the ignition. Let cool.

WARNING YOU WILL BE WORKING AROUND THE ENGINE AND EXHAUST SYSTEM DURING INSTALLATION. ENSURE THAT THE ENGINE AND EXHAUST SYSTEM HAVE FULLY COOLED TO PREVENT INJURY.

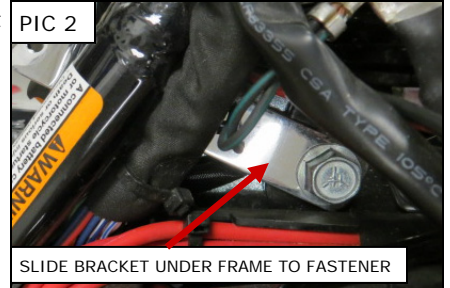
STEP 2 Remove the seat from the motorcycle.

-cont.-

STEP 3 Loosen the two oil bag mounting fasteners (PIC 1) enough to allow you to slide one of the rear mounting brackets around each one. The bracket will fit between the frame and the top of the oil bag. PIC 2 Tighten the oil bag fasteners enough that the brackets stay in place, but you are still able to move them.

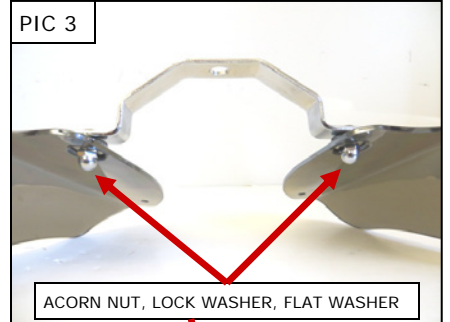


STEP 4 Loosely assemble the right and left Saddleshields to the front mounting bracket. Be sure that the washer, lock washer, and acorn nut are seated in the depression on each Saddleshield. FIG 1 and PIC 3



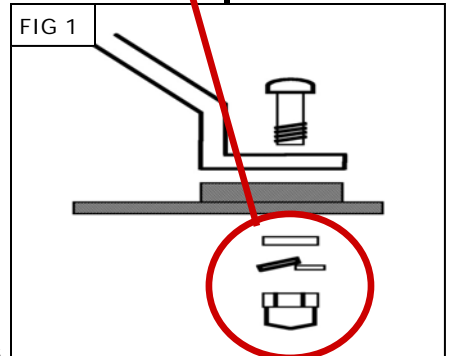
STEP 5 Remove the rear fuel tank fastener and loosen the front tank fasteners. Gently raise the rear of the fuel tank far enough to allow you to slide the front mounting bracket between the tank and the frame. Line up the hole in the tank and the front bracket, lower the tank and insert the fastener through the tank, front mount and thread it back into the frame. PIC 4 Leave finger tight for now.

STEP 6 Loosely secure a rear mounting bracket to each Saddleshield using one of the button socket fasteners, washers lock washers and acorn nuts as shown in FIG 2. Be sure the acorn nut faces downward.



STEP 7 Center the Saddleshield assembly so that there is an even gap between the heat shields and the fuel tank. Tighten the fasteners on the mounting brackets, then securely tighten the fuel tank fasteners and the oil bag fasteners. **Be sure the saddle shield assembly remains centered.**

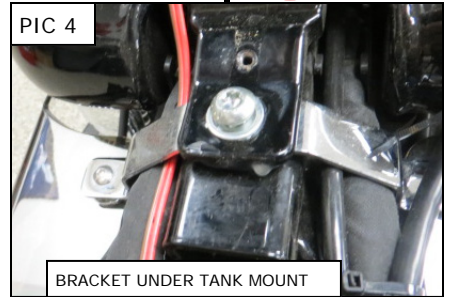
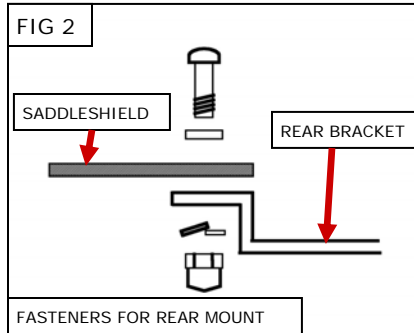
NOTICE Be sure there is adequate clearance between the Saddleshields and fuel tank. Kuryakyn will not be liable for damage due to insufficient clearance between the Saddleshields and any painted surface on the motorcycle.



STEP 8 Replace the seat on the bike.

WARNING AFTER INSTALLING THE SEAT, PULL UP ON IT TO ENSURE IT IS LOCKED INTO PLACE. A LOOSE SEAT CAN SHIFT AND CAUSE LOSS OF CONTROL RESULTING IN SERIOUS INJURY OR DEATH.

NOTICE It is the installer's responsibility to ensure that all of the fasteners (including pre-assembled) are tightened before operation of the motorcycle. Kuryakyn will not provide warranty coverage on products or components lost due to improper installation or lack of maintenance. Periodic inspection and maintenance are required on all fasteners.



Ride On!