



● Thank you for purchasing the Honda Grom Super flow oil pump. Please, read the instructions thoroughly and retain them for future reference.

⚠ Notice

- Any Damages caused by faulty installation shall be imputed to the users.
- Maintenance and repairs should be executed by a professional mechanic only.

© SYMBOL MEANING:

The torque value required for fastening the screws.

NOTE Please read carefully, this is essential information.

1 ACCESSORIES

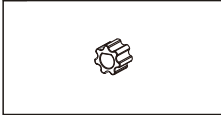
1 Super flow oil pump X1



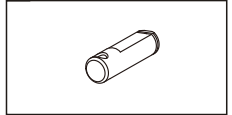
2 Outer rotor X1



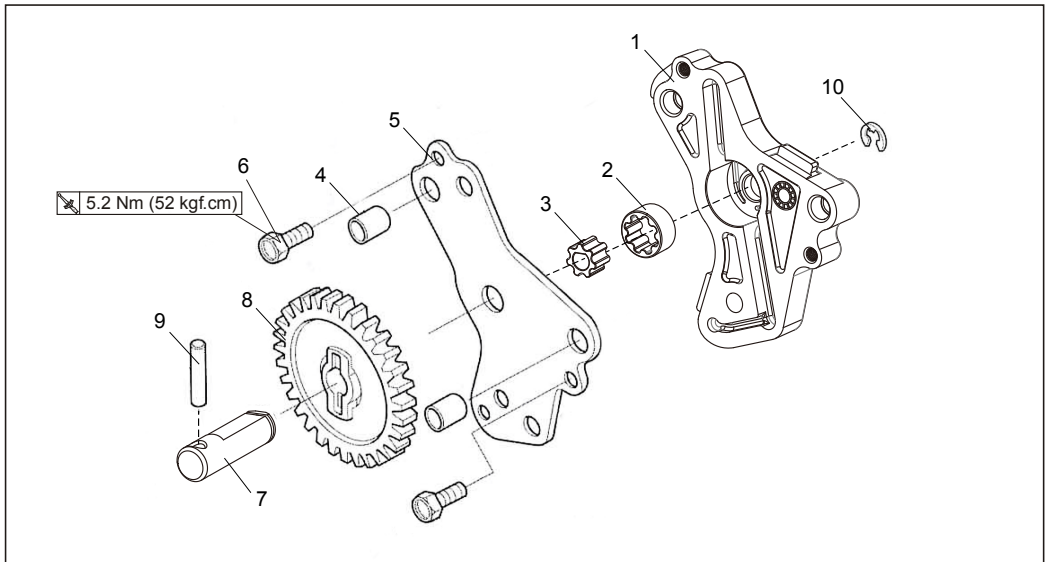
3 Inner rotor X1



4 Axle X1



2 OIL PUMP ASSEMBLY

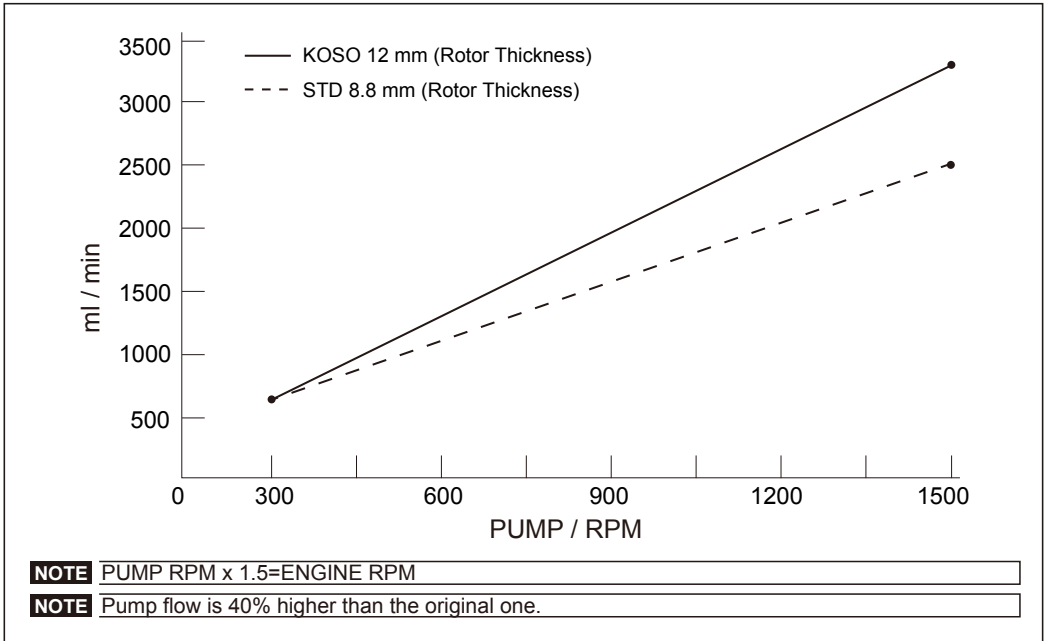


PART DESCRIPTIONS

- | | | |
|--------------------------------------|------------------------------|------------------------------|
| 1. Super flow oil pump (Accessory 1) | 2. Outer rotor (Accessory 2) | 3. Inner rotor (Accessory 3) |
| 4. Lock pin | 5. Gasket | 6. M5XL12 mm Screw |
| 7. Axle (Accessory 4) | 8. Gear | 9. Lock pin |
| 10. E-Clip | | |

NOTE Please, assemble in the order shown above. Make sure to disassemble the parts in reverse order (highest number to lowest number).

3 OIL PUMP FLOW CURVE CHART



!!! WARNING !!!

This is an aftermarket part built for racing purposes only.

Koso is not responsible for any damages caused to the parts, vehicle, or to yourself and others.

Engine parts are not under warranty nor is collateral damage or cost of labor, in cases of malfunction.

KOSO 
NORTH AMERICA

Our website offers you a wide variety of motorcycle engine parts at affordable prices.